



TRIMMER/BRUSHCUTTER

MODELS :
BC430DWM
BC430FWM
BC431DWM
BC431FWM

SERVICE PARTS LIST

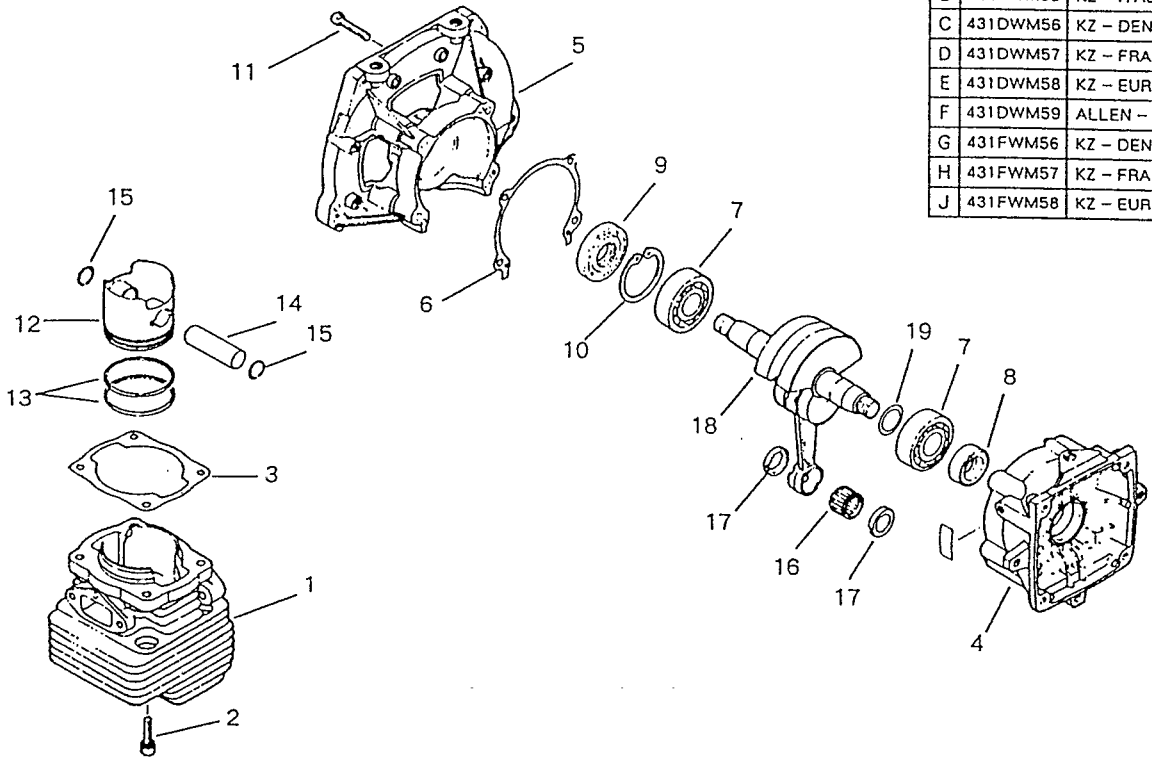
EFFECTIVE :
SEPTEMBER 1990

CONTENTS :

- FIG. 1 ENGINE BLOCK
- FIG. 2 INTAKE & EXHAUST
- FIG. 3 STARTER
- FIG. 4 IGNITION GROUP
- FIG. 5 CLUTCH & COVERS
- FIG. 6 THROTTLE CABLE & AIR CLEANER
- FIG. 7 FUEL TANK GROUP FOR DWM MODELS
- FIG. 8 FUEL TANK GROUP FOR FWM MODELS
- FIG. 9 CARBURETOR FOR DWM MODELS (1)
- FIG. 10 CARBURETOR FOR DWM MODELS (2)
- FIG. 11 CARBURETOR FOR FWM MODELS
- FIG. 12 DRIVE SHAFT GROUP
- FIG. 13 GEAR CASE GROUP
- FIG. 14 HANDLE GROUP
- FIG. 15 GUARD & STRAP GROUP
- FIG. 16 CUTTING HEAD
- FIG. 17 LABELS
- FIG. 18 SERVICE TOOLS

FIG. 1 ENGINE BLOCK

MODEL CODE		
A	430DWM60	KZ - ITALY
B	430FWM58	KZ - ITALY
C	431DWM56	KZ - DENMARK
D	431DWM57	KZ - FRANCE
E	431DWM58	KZ - EURO. & OTHER
F	431DWM59	ALLEN - UK
G	431FWM56	KZ - DENMARK
H	431FWM57	KZ - FRANCE
J	431FWM58	KZ - EURO. & OTHER

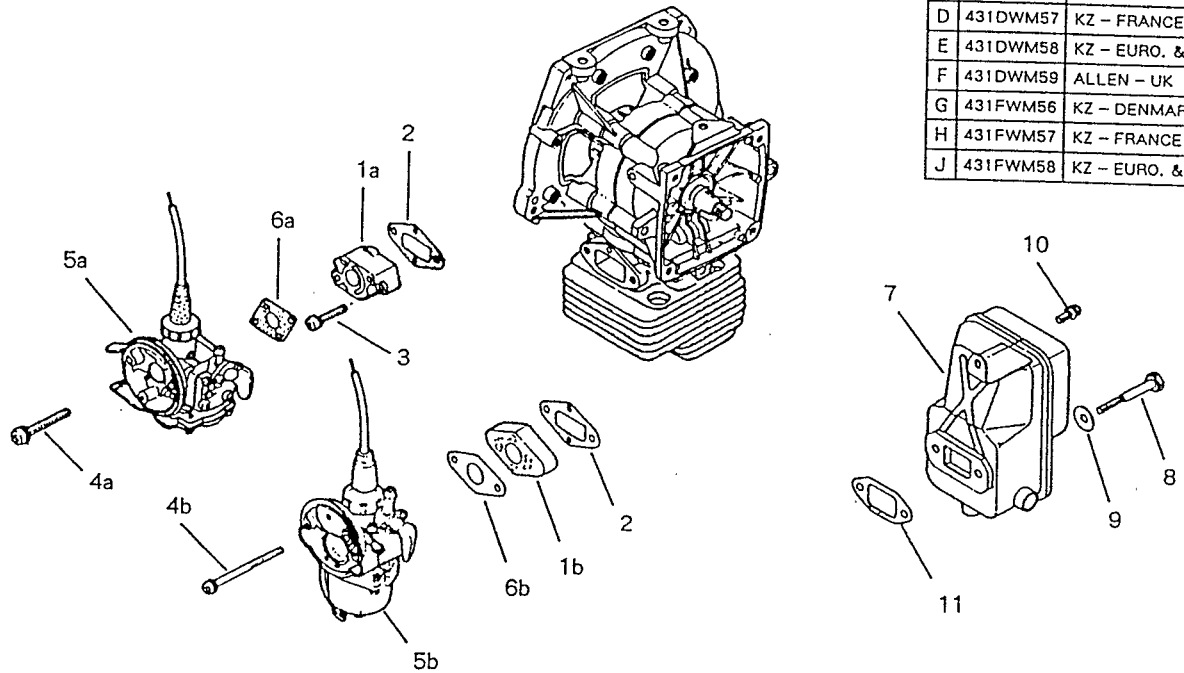


Index No.	Description	Part Number	Remarks	Q'ty per unit										
				A	B	C	D	E	F	G	H	J		
1	CYLINDER	1400 - 12112		1	1	1	1	1	1	1	1	1	1	1
2	BOLT (M5x20)	3310 - 12280		4	4	4	4	4	4	4	4	4	4	4
3	GASKET	1400 - 13121		1	1	1	1	1	1	1	1	1	1	1
	CRANKCASE COMP.	1400 - 21100	4 & 5	1	1	1	1	1	1	1	1	1	1	1
4	CRANKCASE (S)	*	* 1400 - 21100	1	1	1	1	1	1	1	1	1	1	1
5	CRANKCASE (F)	*	* 1400 - 21100	1	1	1	1	1	1	1	1	1	1	1
6	GASKET	1400 - 21140		1	1	1	1	1	1	1	1	1	1	1
7	BEARING	06030 - 06202		2	2	2	2	2	2	2	2	2	2	2
8	OIL SEAL (S)	1520 - 21220		1	1	1	1	1	1	1	1	1	1	1
9	OIL SEAL (F)	1400 - 21220		1	1	1	1	1	1	1	1	1	1	1
10	SNAP RING	04065 - 03515		1	1	1	1	1	1	1	1	1	1	1
11	SCREW (M5x30)	0260 - 00530		4	4	4	4	4	4	4	4	4	4	4
12	PISTON	1400 - 41111		1	1	1	1	1	1	1	1	1	1	1
13	PISTON RING	1400 - 41220		2	2	2	2	2	2	2	2	2	2	2
14	PISTON PIN	1400 - 41310		1	1	1	1	1	1	1	1	1	1	1
15	SNAP RING	3350 - 41320		2	2	2	2	2	2	2	2	2	2	2
16	BEARING	1400 - 41410		1	1	1	1	1	1	1	1	1	1	1
17	THRUST WASHER	2616 - 41510		2	2	2	2	2	2	2	2	2	2	2
18	CRANKSHAFT COMP.	1400 - 42001		1	1	1	1	1	1	1	1	1	1	1
19	SHIM (22x15x0.1)	1300 - 42410		(1)	(1)	(1)	(1)	(1)	(1)	(1)	(1)	(1)	(1)	(1)

* : Part not assigned for the version. () : Optional part.

FIG. 2 INTAKE & EXHAUST

MODEL CODE	
A	430DWM60 KZ - ITALY
B	430FWM58 KZ - ITALY
C	431DWM56 KZ - DENMARK
D	431DWM57 KZ - FRANCE
E	431DWM58 KZ - EURO. & OTHER
F	431DWM59 ALLEN - UK
G	431FWM56 KZ - DENMARK
H	431FWM57 KZ - FRANCE
J	431FWM58 KZ - EURO. & OTHER

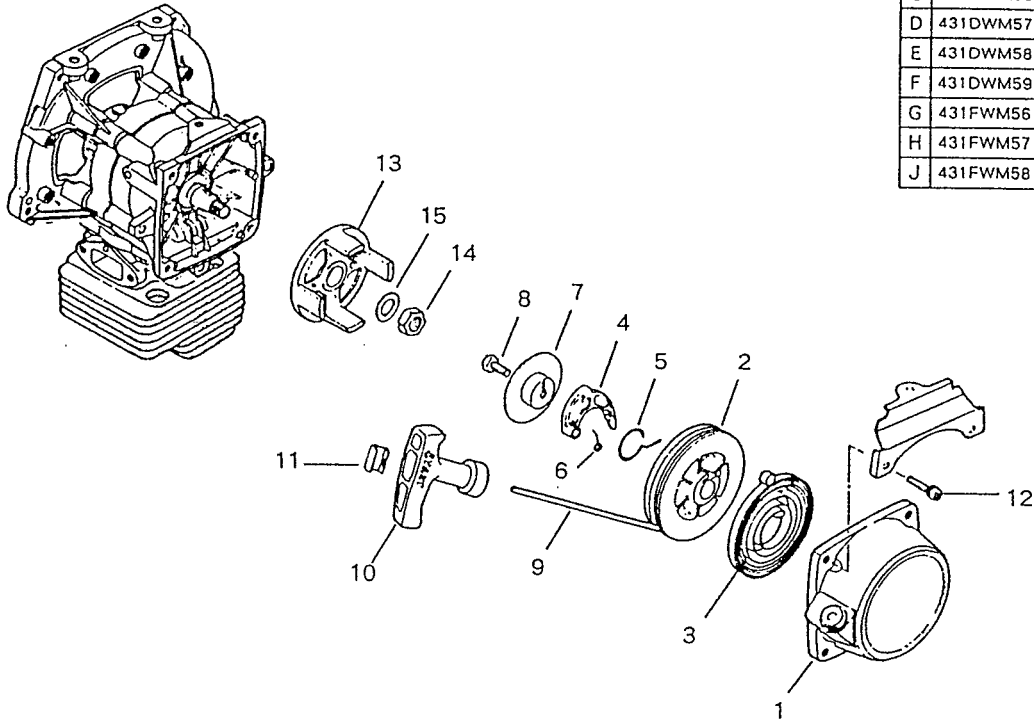


Index No.	Description	Part Number	Remarks	Q'ty per unit									
				A	B	C	D	E	F	G	H	J	
1a	INSULATOR	1420 - 13160		1	.	1	1	1	1	.	.	.	
1b	INSULATOR	1400 - 13160		.	1	1	1	1	
2	GASKET	1400 - 13150		1	1	1	1	1	1	1	1	1	
3	SCREW (M5x25)	0260 - 30525		2	.	2	2	2	2	.	.	.	
4a	SCREW (M5x40)	0260 - 30540		2	.	2	2	2	2	.	.	.	
4b	SCREW (M5x60)	0260 - 30560		.	2	2	2	2	
5a	CARBURETOR ASS'Y	1422 - 81000	Fig.9	1	.	1	1	1	1	.	.	.	
5b	CARBURETOR ASS'Y	1403 - 81000	Fig.11	.	1	1	1	1	
6a	GASKET	1420 - 13130		1	.	1	1	1	1	.	.	.	
6b	GASKET	1400 - 13130		.	1	1	1	1	
7	MUFFLER	1400 - 15111		1	1	1	1	1	1	1	1	1	
8	BOLT (M6x65)	0212 - 50665		2	2	2	2	2	2	2	2	2	
9	FLAT WASHER	1140 - 51230		2	2	2	2	2	2	2	2	2	
10	SCREW (M5x12)	1400 - 15510		1	1	1	1	1	1	1	1	1	
11	GASKET	1400 - 13142		1	1	1	1	1	1	1	1	1	

. : Part not assigned for the version. () : Optional part.

FIG. 3 STARTER

MODEL CODE		
A	430DWM60	KZ - ITALY
B	430FWM58	KZ - ITALY
C	431DWM56	KZ - DENMARK
D	431DWM57	KZ - FRANCE
E	431DWM58	KZ - EURO. & OTHER
F	431DWM59	ALLEN - UK
G	431FWM56	KZ - DENMARK
H	431FWM57	KZ - FRANCE
J	431FWM58	KZ - EURO. & OTHER

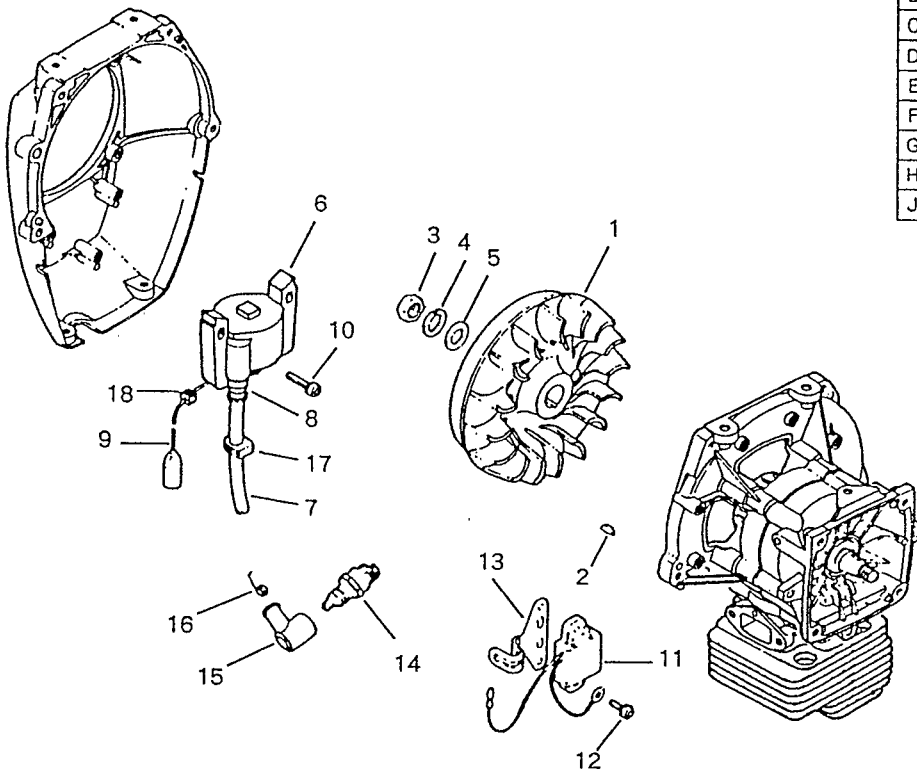


Index No.	Description	Part Number	Remarks	Q'ty per unit										
				A	B	C	D	E	F	G	H	J		
	RECOIL STARTER ASS'Y	1400 - 75100	1 to 11	1	1	1	1	1	1	1	1	1	1	1
1	CASE	*	* 1400 - 75100	1	1	1	1	1	1	1	1	1	1	1
2	REEL	1400 - 75120		1	1	1	1	1	1	1	1	1	1	1
3	SPRING, spiral	1400 - 75130		1	1	1	1	1	1	1	1	1	1	1
4	RATCHET	1400 - 75140		1	1	1	1	1	1	1	1	1	1	1
5	SPRING, friction	1180 - 75251		1	1	1	1	1	1	1	1	1	1	1
6	SPRING, return	1179 - 75320		1	1	1	1	1	1	1	1	1	1	1
7	RETAINER	1400 - 75180		1	1	1	1	1	1	1	1	1	1	1
8	SCREW	1179 - 75271		1	1	1	1	1	1	1	1	1	1	1
9	ROPE	1400 - 75160		1	1	1	1	1	1	1	1	1	1	1
10	KNOB	1400 - 75170		1	1	1	1	1	1	1	1	1	1	1
11	CAP	1179 - 75340		1	1	1	1	1	1	1	1	1	1	1
12	SCREW (M5x20)	1400 - 75510		4	4	4	4	4	4	4	4	4	4	4
13	PULLEY	1400 - 75211		1	1	1	1	1	1	1	1	1	1	1
14	NUT	1100 - 43231		1	1	1	1	1	1	1	1	1	1	1
15	FLAT WASHER	01641 - 21016		1	1	1	1	1	1	1	1	1	1	1

* : Part not assigned for the version. () : Optional part.

FIG. 4 IGNITION GROUP

MODEL CODE		
A	430DWM60	KZ - ITALY
B	430FWM58	KZ - ITALY
C	431DWM56	KZ - DENMARK
D	431DWM57	KZ - FRANCE
E	431DWM58	KZ - EURO. & OTHER
F	431DWM59	ALLEN - UK
G	431FWM56	KZ - DENMARK
H	431FWM57	KZ - FRANCE
J	431FWM58	KZ - EURO. & OTHER

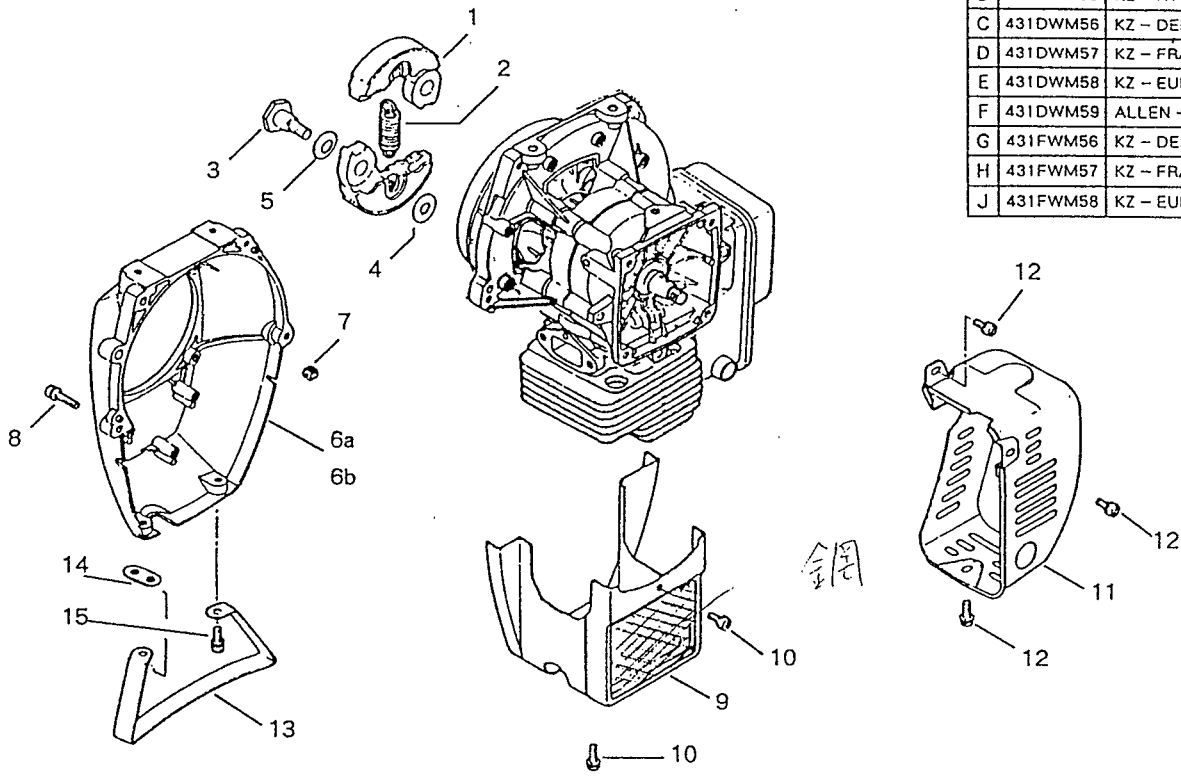


Index No.	Description	Part Number	Remarks	Q'ty per unit										
				A	B	C	D	E	F	G	H	J		
1	ROTOR	1400 - 71110		1	1	1	1	1	1	1	1	1	1	1
2	KEY	1000 - 43240		1	1	1	1	1	1	1	1	1	1	1
3	NUT	1100 - 43231		1	1	1	1	1	1	1	1	1	1	1
4	SPRING WASHER	0290 - 21025		1	1	1	1	1	1	1	1	1	1	1
5	FLAT WASHER	01641 - 21016		1	1	1	1	1	1	1	1	1	1	1
	COIL ASS'Y	1650 - 71201	6 to 9	1	1	1	1	1	1	1	1	1	1	1
6	IGNITION COIL	*	* 1650 - 71201	1	1	1	1	1	1	1	1	1	1	1
7	CORD, high tension	1400 - 71220		1	1	1	1	1	1	1	1	1	1	1
8	CAP	1400 - 71230		1	1	1	1	1	1	1	1	1	1	1
9	CORD, primary	1650 - 71241		1	1	1	1	1	1	1	1	1	1	1
10	SCREW (M5x20)	1400 - 75510		3	3	3	3	3	3	3	3	3	3	3
11	CONTROL UNIT	1400 - 71311		1	1	1	1	1	1	1	1	1	1	1
12	SCREW (M5x16)	0260 - 30516		2	2	2	2	2	2	2	2	2	2	2
13	CLAMP	1400 - 72310		1	1	1	1	1	1	1	1	1	1	1
14	SPARK PLUG	1216 - 73110	Champion RCJ - 8Y	1	1	1	1	1	1	1	1	1	1	1
15	CAP, spark plug	1400 - 72111		1	1	1	1	1	1	1	1	1	1	1
16	SPRING, plug cap	1400 - 72121		1	1	1	1	1	1	1	1	1	1	1
17	GROMMET	3320 - 72211		1	1	1	1	1	1	1	1	1	1	1
18	GROMMET	1100 - 72120		1	1	1	1	1	1	1	1	1	1	1

* : Part not assigned for the version. (): Optional part.

FIG. 5 CLUTCH & COVERS

MODEL CODE	
A	430DWM60 KZ - ITALY
B	430FWM58 KZ - ITALY
C	431DWM56 KZ - DENMARK
D	431DWM57 KZ - FRANCE
E	431DWM58 KZ - EURO. & OTHER
F	431DWM59 ALLEN - UK
G	431FWM56 KZ - DENMARK
H	431FWM57 KZ - FRANCE
J	431FWM58 KZ - EURO. & OTHER

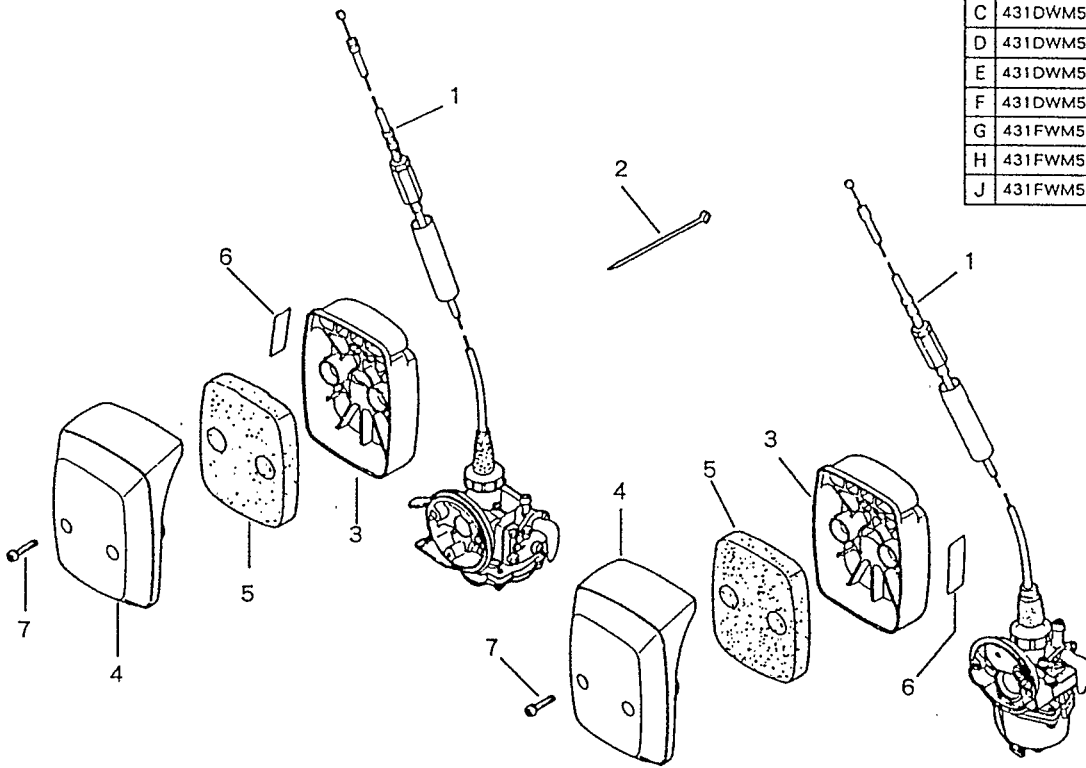


Index No.	Description	Part Number	Remarks	Q'ty per unit										
				A	B	C	D	E	F	G	H	J		
1	SHOE, clutch	1075 - 51111		2	2	2	2	2	2	2	2	2	2	2
2	SPRING	1075 - 51220		1	1	1	1	1	1	1	1	1	1	1
3	SCREW	1200 - 51211		2	2	2	2	2	2	2	2	2	2	2
4	FLAT WASHER	1200 - 51230		2	2	2	2	2	2	2	2	2	2	2
5	WAVE WASHER	1200 - 51240		2	2	2	2	2	2	2	2	2	2	2
6a	FAN COVER	1400 - 31111		1	1	1	.	1	1	1	.	1	.	1
6b	FAN COVER	1425 - 31111		.	.	.	1	1	.	.
7	GROMMET	1100 - 72120		1	1	1	1	1	1	1	1	1	1	1
8	SCREW (M5x20)	0263 - 60520		4	4	4	4	4	4	4	4	4	4	4
9	CYLINDER COVER	1462 - 32110		1	1	1	1	1	1	1	1	1	1	1
10	SCREW (M5x20)	1400 - 15510		2	2	2	2	2	2	2	2	2	2	2
11	MUFFLER COVER	1400 - 15410		1	1	1	1	1	1	1	1	1	1	1
12	SCREW (M5x12)	1400 - 15510		3	3	3	3	3	3	3	3	3	3	3
13	STAND	3540 - 93110		1	1	1	1	1	1	1	1	1	1	1
14	CLAMP	1600 - 86130		1	.	1	1	1	1
15	SCREW (M5x12)	1400 - 15510		2	2	2	2	2	2	2	2	2	2	2

. : Part not assigned for the version. () : Optional part.

FIG. 6 THROTTLE CABLE & AIR CLEANER

MODEL CODE		
A	430DWM60	KZ - ITALY
B	430FWM58	KZ - ITALY
C	431DWM56	KZ - DENMARK
D	431DWM57	KZ - FRANCE
E	431DWM58	KZ - EURO. & OTHER
F	431DWM59	ALLEN - UK
G	431FWM56	KZ - DENMARK
H	431FWM57	KZ - FRANCE
J	431FWM58	KZ - EURO. & OTHER

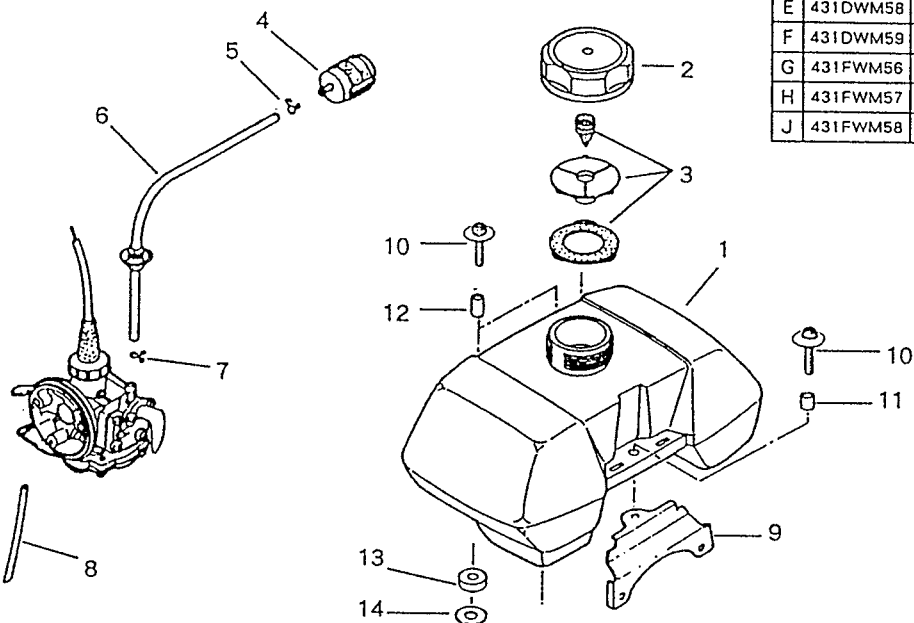


Index No.	Description	Part Number	Remarks	Q'ty per unit									
				A	B	C	D	E	F	G	H	J	
1	THROTTLE CABLE	1650 - 83100		1	1	1	1	1	1	1	1	1	1
2	BAND	1620 - 81910		1	1	1	1	1	1	1	1	1	1
	AIR CLEANER ASS'Y	1421 - 82002	3 to 6	1	.	1	1	1	1
	AIR CLEANER ASS'Y	1651 - 82001	3 to 6	.	1	1	1	1	1
3	BODY, cleaner	*	* 1421 - 82002 / 1651 - 82001	1	1	1	1	1	1	1	1	1	1
4	COVER, cleaner	*	* 1421 - 82002 / 1651 - 82001	1	1	1	1	1	1	1	1	1	1
5	FILTER ELEMENT	1400 - 82130		1	1	1	1	1	1	1	1	1	1
6	LABEL, choke	1133 - 82060		1	1	1	1	1	1	1	1	1	1
7	SCREW (M4x22)	0260 - 30422		2	2	2	2	2	2	2	2	2	2

. : Part not assigned for the version. () : Optional part.

FIG. 7 FUEL TANK GROUP FOR DWM MODELS

MODEL CODE		
A	430DWM60	KZ - ITALY
B	430FWM58	KZ - ITALY
C	431DWM56	KZ - DENMARK
D	431DWM57	KZ - FRANCE
E	431DWM58	KZ - EURO. & OTHER
F	431DWM59	ALLEN - UK
G	431FWM56	KZ - DENMARK
H	431FWM57	KZ - FRANCE
J	431FWM58	KZ - EURO. & OTHER



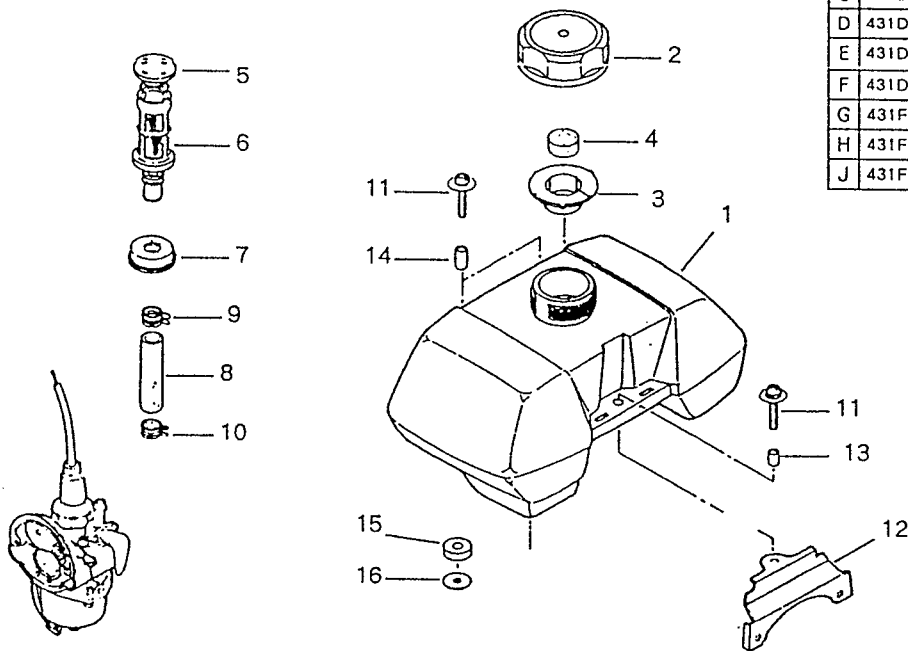
TANK MEO 4 h/L 1420-85112 beslag 1400-86214

Index No.	Description	Part Number	Remarks	Q'ty per unit									
				A	B	C	D	E	F	G	H	J	
1	TANK ASS'Y	1421 - 85003	1 to 6	1	.	1	1	1	1	.	.	.	
	FUEL TANK	*	* 1421 - 85003	1	.	1	1	1	1	.	.	.	
2	CAP ASS'Y	1601 - 85200	2 & 3	1	.	1	1	1	1	.	.	.	
3	BODY	*	* 1601 - 85200	1	.	1	1	1	1	.	.	.	
	VALVE COMP.	1600 - 85302		1	.	1	1	1	1	.	.	.	
4	FILTER ASS'Y	3306 - 85400		1	.	1	1	1	1	.	.	.	
5	CLIP	1260 - 85460		1	.	1	1	1	1	.	.	.	
6	PIPE COMP., suction	1420 - 85400		1	.	1	1	1	1	.	.	.	
7	CLIP	1063 - 86130		1	.	1	1	1	1	.	.	.	
8	PIPE, overflow	1420 - 86180		1	.	1	1	1	1	.	.	.	
9	SUPPORT, tank	1400 - 86213		1	.	1	1	1	1	.	.	.	
10	SCREW (M5x22)	1600 - 86120		3	.	3	3	3	3	.	.	.	
11	COLLAR (S)	1400 - 86250		1	.	1	1	1	1	.	.	.	
12	COLLAR (F)	1400 - 86260		2	.	2	2	2	2	.	.	.	
13	CUSHION	1400 - 86271		2	.	2	2	2	2	.	.	.	
14	FLAT WASHER	1400 - 86280		2	.	2	2	2	2	.	.	.	

. : Part not assigned for the version. () : Optional part.

FIG. 8 FUEL TANK GROUP FOR FWM MODELS

MODEL CODE		
A	430DWM60	KZ - ITALY
B	430FWM58	KZ - ITALY
C	431DWM56	KZ - DENMARK
D	431DWM57	KZ - FRANCE
E	431DWM58	KZ - EURO. & OTHER
F	431DWM59	ALLEN - UK
G	431FWM56	KZ - DENMARK
H	431FWM57	KZ - FRANCE
J	431FWM58	KZ - EURO. & OTHER

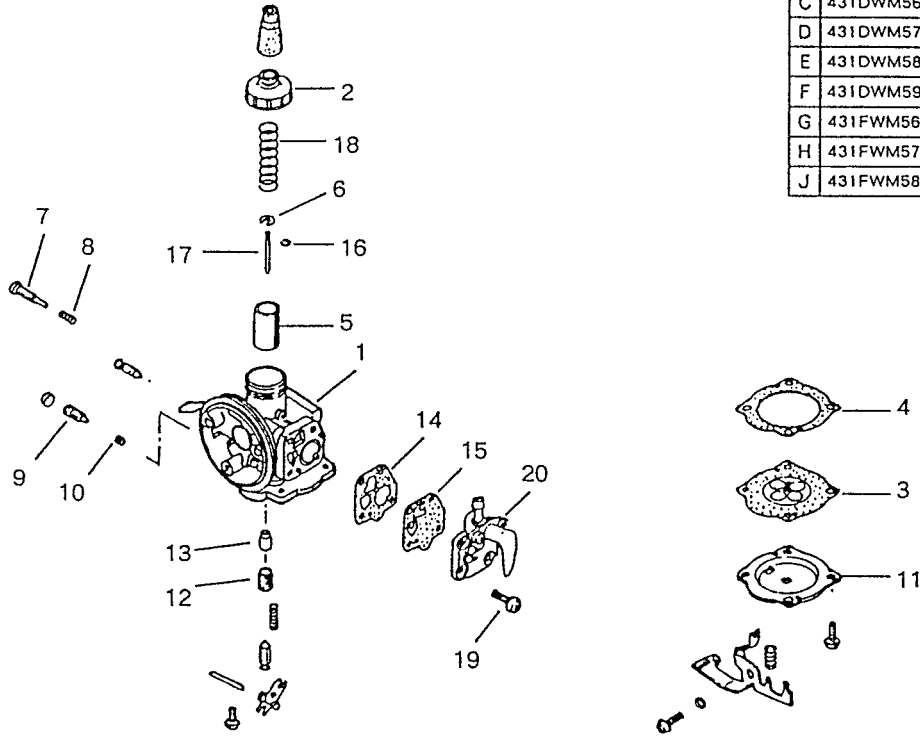


Index No.	Description	Part Number	Remarks	Q'ty per unit									
				A	B	C	D	E	F	G	H	J	
1	TANK ASS'Y	1403 - 85004	1 to 9	•	1	•	•	•	•	1	1	1	
	FUEL TANK	*	* 1403 - 85004	•	1	•	•	•	•	1	1	1	
2	CAP ASS'Y	1403 - 85302	2 to 4	•	1	•	•	•	•	1	1	1	
	BODY	*	* 1403 - 85302	•	1	•	•	•	•	1	1	1	
3	INNER CAP	1400 - 85324		•	1	•	•	•	•	1	1	1	
4	ELEMENT	1030 - 85140		•	1	•	•	•	•	1	1	1	
5	JOINT ASS'Y	1400 - 85103	5 to 9	•	1	•	•	•	•	1	1	1	
	CAP, strainer	1400 - 85121		•	1	•	•	•	•	1	1	1	
	STRAINER	1400 - 85132		•	1	•	•	•	•	1	1	1	
	GROMMET	1400 - 85140		•	1	•	•	•	•	1	1	1	
	PIPE, fuel	1400 - 86110		•	1	•	•	•	•	1	1	1	
9	CLIP	3063 - 22510		•	1	•	•	•	•	1	1	1	
10	CLIP	3063 - 22510		•	1	•	•	•	•	1	1	1	
11	SCREW (M5x22)	1600 - 86120		•	3	•	•	•	•	3	3	3	
12	SUPPORT	1400 - 86213		•	1	•	•	•	•	1	1	1	
13	COLLAR (S)	1400 - 86250		•	1	•	•	•	•	1	1	1	
14	COLLAR (F)	1400 - 86260		•	2	•	•	•	•	2	2	2	
15	CUSHION	1400 - 86271		•	2	•	•	•	•	2	2	2	
16	FLAT WASHER	1400 - 86280		•	2	•	•	•	•	2	2	2	

• : Part not assigned for the version. () : Optional part.

FIG. 9 CARBURETOR FOR DWM MODELS (1)

MODEL CODE		
A	430DWM60	KZ - ITALY
B	430FWM58	KZ - ITALY
C	431DWM56	KZ - DENMARK
D	431DWM57	KZ - FRANCE
E	431DWM58	KZ - EURO. & OTHER
F	431DWM59	ALLEN - UK
G	431FWM56	KZ - DENMARK
H	431FWM57	KZ - FRANCE
J	431FWM58	KZ - EURO. & OTHER

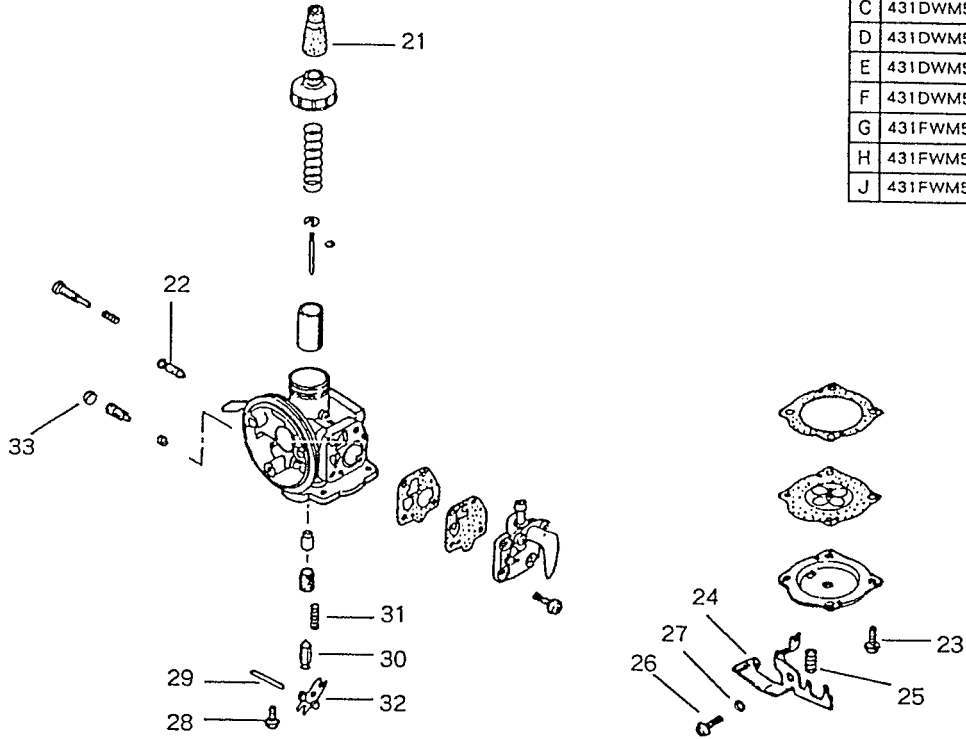


Index No.	Description	Part Number	Remarks	Q'ty per unit									
				A	B	C	D	E	F	G	H	J	
	CARBURETOR ASS'Y	1422 - 81000	1 to 33	1	.	1	1	1	1	1	.	.	.
1	BODY, carburetor	*	* 1422 - 81000	1	.	1	1	1	1	1	.	.	.
2	CAP, body	1650 - 81122		1	.	1	1	1	1	1	.	.	.
3	DIAPHRAGM, metering	1420 - 81480		1	.	1	1	1	1	1	.	.	.
4	PACKING, diaphragm	1101 - 81950		1	.	1	1	1	1	1	.	.	.
5	VALVE, throttle	1420 - 81150		1	.	1	1	1	1	1	.	.	.
6	RECEIVE, spring	1335 - 81070		1	.	1	1	1	1	1	.	.	.
7	SCREW, idle adjusting	1038 - 81001 - 29		1	.	1	1	1	1	1	.	.	.
8	SPRING	1650 - 81260		1	.	1	1	1	1	1	.	.	.
9	SCREW, fuel mixture	1420 - 81271	Std: 1 • ¼ turns back	1	.	1	1	1	1	1	.	.	.
10	SPRING	1420 - 81370		1	.	1	1	1	1	1	.	.	.
11	COVER, diaphragm	1420 - 81490		1	.	1	1	1	1	1	.	.	.
12	HOLDER, needle jet	1420 - 81420		1	.	1	1	1	1	1	.	.	.
13	JET, needle	1420 - 81410		1	.	1	1	1	1	1	.	.	.
14	PACKING, pump	1420 - 81730		1	.	1	1	1	1	1	.	.	.
15	DIAPHRAGM, pump	1420 - 81720		1	.	1	1	1	1	1	.	.	.
16	CLIP	1101 - 81190		1	.	1	1	1	1	1	.	.	.
17	NEEDLE, jet	1420 - 81180	# A104 - ¾	1	.	1	1	1	1	1	.	.	.
18	SPRING	1335 - 81060		1	.	1	1	1	1	1	.	.	.
19	SCREW (M3x10)	0260 - 10310		4	.	4	4	4	4	4	.	.	.
20	COVER ASS'Y, pump	1422 - 81800		1	.	1	1	1	1	1	.	.	.

• : Part not assigned for the version. () : Optional part.

FIG. 10 CARBURETOR FOR DWM MODELS (2)

MODEL CODE		
A	430DWM60	KZ - ITALY
B	430FWM58	KZ - ITALY
C	431DWM56	KZ - DENMARK
D	431DWM57	KZ - FRANCE
E	431DWM58	KZ - EURO. & OTHER
F	431DWM59	ALLEN - UK
G	431FWM56	KZ - DENMARK
H	431FWM57	KZ - FRANCE
J	431FWM58	KZ - EURO. & OTHER

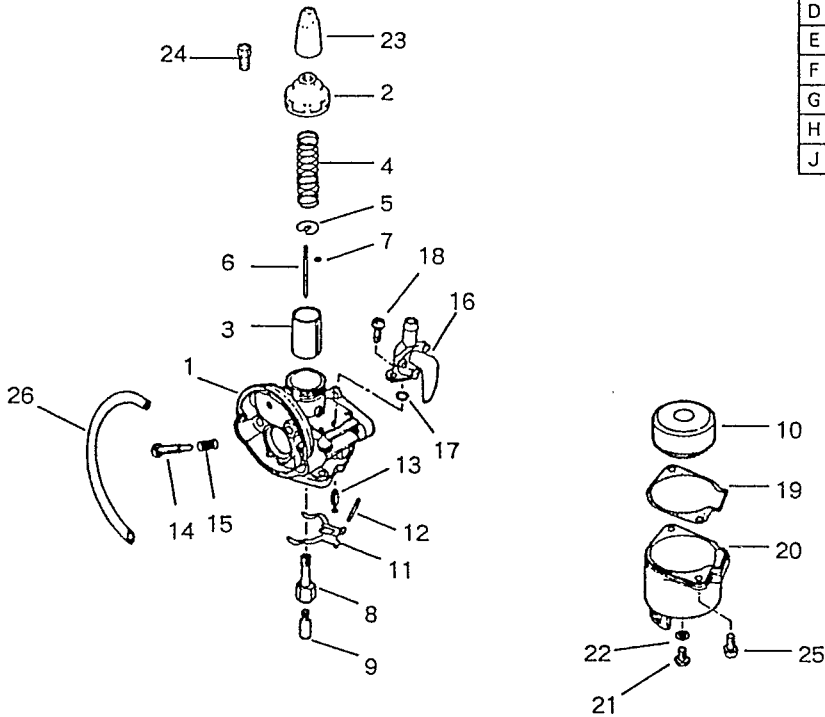


Index No.	Description	Part Number	Remarks	Q'ty per unit									
				A	B	C	D	E	F	G	H	J	
21	CAP	3422 - 81130		1	.	1	1	1	1	.	.	.	
22	VALVE ASS'Y, air purge	1130 - 81170		1	.	1	1	1	1	.	.	.	
23	SCREW (M3x8)	0260 - 10308		4	.	4	4	4	4	.	.	.	
24	LEVER, tickler	1420 - 81510		1	.	1	1	1	1	.	.	.	
25	SPRING, tickler	1420 - 81520		1	.	1	1	1	1	.	.	.	
26	SCREW (M4x8)	0260 - 00408		1	.	1	1	1	1	.	.	.	
27	COLLAR	1420 - 81530		1	.	1	1	1	1	.	.	.	
28	SCREW (M3x6)	0260 - 00306		1	.	1	1	1	1	.	.	.	
29	PIN, hinge	1100 - 81461		1	.	1	1	1	1	.	.	.	
30	NEEDLE VALVE	1100 - 81440		1	.	1	1	1	1	.	.	.	
31	SPRING	1420 - 81430		1	.	1	1	1	1	.	.	.	
32	LEVER, control	1420 - 81450		1	.	1	1	1	1	.	.	.	
33	PLATE	1420 - 81620		1	.	1	1	1	1	.	.	.	

. : Part not assigned for the version. () : Optional part.

FIG. 11 CARBURETOR FOR FWM MODELS

MODEL CODE		
A	430DWM60	KZ - ITALY
B	430FWM58	KZ - ITALY
C	431DWM56	KZ - DENMARK
D	431DWM57	KZ - FRANCE
E	431DWM58	KZ - EURO. & OTHER
F	431DWM59	ALLEN - UK
G	431FWM56	KZ - DENMARK
H	431FWM57	KZ - FRANCE
J	431FWM58	KZ - EURO. & OTHER

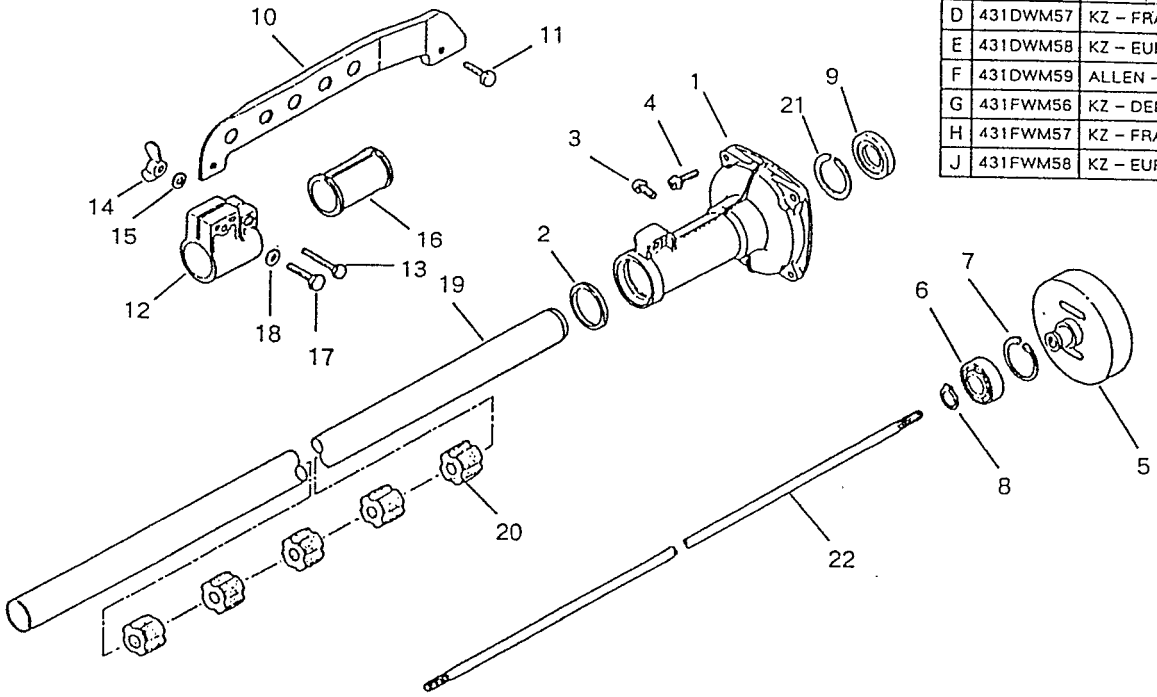


Index No.	Description	Part Number	Remarks	Q'ty per unit									
				A	B	C	D	E	F	G	H	J	
	CARBURETOR ASS'Y	1403 - 81000	1 to 26	.	1	1	1	1
	BODY, carburetor	*	* 1403 - 81000	.	1	1	1	1
1	CAP, body	1650 - 81122		.	1	1	1	1
2	VALVE, throttle	1400 - 81150		.	1	1	1	1
3	SPRING, throttle	1335 - 81060		.	1	1	1	1
4	RECEIVE spring	1335 - 81070		.	1	1	1	1
5	NEEDLE, jet	1400 - 81210		.	1	1	1	1
6	CLIP	1030 - 81000 - 16		.	1	1	1	1
7	JET, needle	1400 - 81230	# A004	.	1	1	1	1
8	MAIN JET	1400 - 81240	# 70	.	1	1	1	1
9	FLOAT	1335 - 81180		.	1	1	1	1
10	HINGE, float	1400 - 81340		.	1	1	1	1
11	PIN, hinge	1400 - 81350		.	1	1	1	1
12	VALVE, fuel inlet	1400 - 81361		.	1	1	1	1
13	SCREW, idle adjusting	1650 - 81251		.	1	1	1	1
14	SPRING	1650 - 81260		.	1	1	1	1
15	VALVE, fuel shutoff	1403 - 81500		.	1	1	1	1
16	O - RING	1400 - 81540		.	1	1	1	1
17	SCREW (M4x10)	0260 - 10410		.	2	2	2	2
18	PACKING, float chamber	1400 - 81320		.	1	1	1	1
19	CHAMBER, float	1400 - 81310		.	1	1	1	1
20	SCREW, drain	1400 - 81650		.	1	1	1	1
21	PACKING	1400 - 81660		.	1	1	1	1
22	CAP	3422 - 81130		.	1	1	1	1
23	ADJUSTER, cable	1335 - 81031		.	1	1	1	1
24	SCREW (M4x12)	0260 - 10412		.	2	2	2	2
25	PIPE, overflow	1650 - 81710		.	1	1	1	1

. : Part not assigned for the version. () : Optional part.

FIG. 12 DRIVE SHAFT GROUP

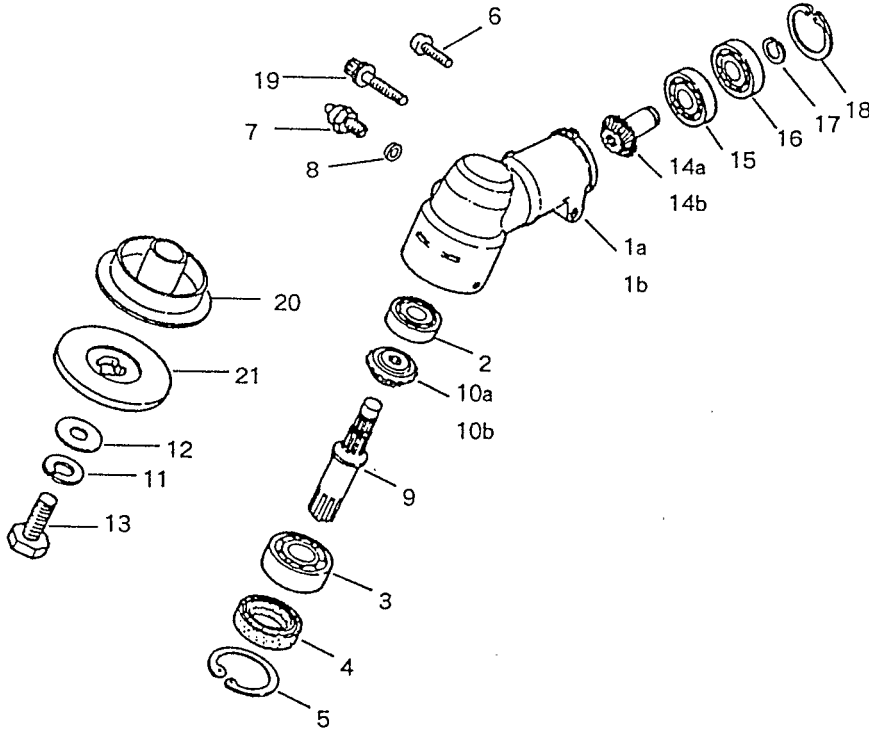
MODEL CODE		
A	430DWM60	KZ - ITALY
B	430FWM58	KZ - ITALY
C	431DWM56	KZ - DENMARK
D	431DWM57	KZ - FRANCE
E	431DWM58	KZ - EURO. & OTHER
F	431DWM59	ALLEN - UK
G	431FWM56	KZ - DENMARK
H	431FWM57	KZ - FRANCE
J	431FWM58	KZ - EURO. & OTHER



Index No.	Description	Part Number	Remarks	Q'ty per unit										
				A	B	C	D	E	F	G	H	J		
1	HOUSING COMP., clutch	3540 - 11101	1 to 3	1	1	1	1	1	1	1	1	1	1	1
	HOUSING, clutch	*	* 3540 - 11101	1	1	1	1	1	1	1	1	1	1	1
2	DUST SEAL	3144 - 11150		1	1	1	1	1	1	1	1	1	1	1
3	SCREW (M6x10)	0260 - 20610		1	1	1	1	1	1	1	1	1	1	1
4	BOLT, engine mounting	3540 - 11510		4	4	4	4	4	4	4	4	4	4	4
5	DRUM, clutch	3540 - 11311		1	1	1	1	1	1	1	1	1	1	1
6	BEARING	06004 - 06202		1	1	1	1	1	1	1	1	1	1	1
7	SNAP RING	04065 - 03515		1	1	1	1	1	1	1	1	1	1	1
8	SNAP RING	04064 - 01510		1	1	1	1	1	1	1	1	1	1	1
9	SPACER	3540 - 11410		1	1	1	1	1	1	1	1	1	1	1
10	HANGER	3549 - 11420		1	1	1	1	1	1	1	1	1	1	1
11	BOLT (M6x16)	0224 - 10616		1	1	1	1	1	1	1	1	1	1	1
12	BRACKET COMP., hanger	3540 - 11441	12 to 16	1	1	1	1	1	1	1	1	1	1	1
	BRACKET	3540 - 11432		1	1	1	1	1	1	1	1	1	1	1
13	BOLT (M6x35)	0224 - 00635		1	1	1	1	1	1	1	1	1	1	1
14	WING NUT	3540 - 11460		1	1	1	1	1	1	1	1	1	1	1
15	FLAT WASHER	01642 - 20608		1	1	1	1	1	1	1	1	1	1	1
16	SPACER	3540 - 11450		1	1	1	1	1	1	1	1	1	1	1
17	BOLT (M6x25)	0224 - 00625		1	1	1	1	1	1	1	1	1	1	1
18	WASHER	01642 - 20608		1	1	1	1	1	1	1	1	1	1	1
19	PIPE COMP.	3540 - 12103	19 & 20 148cm	1	1	1	1	1	1	1	1	1	1	1
	PIPE, outer	6340 12100	154 3540 - 12103	1	1	1	1	1	1	1	1	1	1	1
20	BUSHING	3130 - 11324		5	5	5	5	5	5	5	5	5	5	5
21	SNAP RING	3260 - 11410		1	1	1	1	1	1	1	1	1	1	1
22	SHAFT	3540 - 12211	148cm	1	1	1	1	1	1	1	1	1	1	1

* : Part not assigned for the version. () : Optional part.
 6340-12210 154cm

FIG. 13 GEAR CASE GROUP



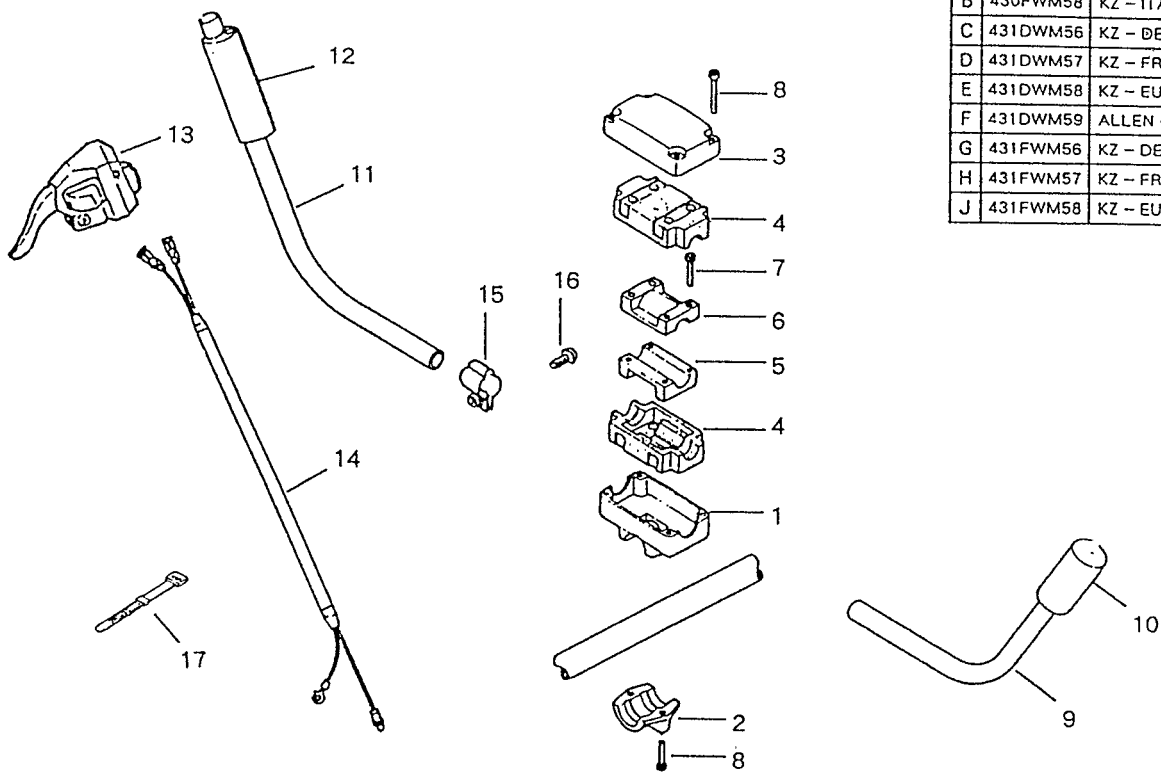
MODEL CODE		
A	430DWM60	KZ - ITALY
B	430FWM58	KZ - ITALY
C	431DWM56	KZ - DENMARK
D	431DWM57	KZ - FRANCE
E	431DWM58	KZ - EURO. & OTHER
F	431DWM59	ALLEN - UK
G	431FWM56	KZ - DENMARK
H	431FWM57	KZ - FRANCE
J	431FWM58	KZ - EURO. & OTHER

Index No.	Description	Part Number	Remarks	Q'ty per unit																
				A	B	C	D	E	F	G	H	J								
	GEAR CASE ASS'Y	6213-13000																		
	GEAR CASE ASS'Y	6253-13001																		
1a	GEAR CASE	3540-13112	1 to 21 (60° neck)	1	1
1b	GEAR CASE	6213-13121	1 to 21 (50° neck)	.	.	1	1	1	1	1	1	1	1	1	1	1	1	1	1	
2	BEARING	06000-06000		1	1	1	1	1	1	1	1	1	1	1	1	1	1	1	1	
3	BEARING	06000-06202		1	1	1	1	1	1	1	1	1	1	1	1	1	1	1	1	
4	OIL SEAL	3130-13141		1	1	1	1	1	1	1	1	1	1	1	1	1	1	1	1	
5	SNAP RING	04065-03515		1	1	1	1	1	1	1	1	1	1	1	1	1	1	1	1	
6	BOLT (M5x10)	01252-30510		1	1	1	1	1	1	1	1	1	1	1	1	1	1	1	1	
7	FITTING, grease	3199-13350		1	1	1	1	1	1	1	1	1	1	1	1	1	1	1	1	
8	FLAT WASHER	01641-20608		1	1	1	1	1	1	1	1	1	1	1	1	1	1	1	1	
9	SHAFT, gear	3540-13211		1	1	1	1	1	1	1	1	1	1	1	1	1	1	1	1	
10a	GEAR	3540-13220	Teeth : 19	1	1	
10b	GEAR	6213-13220	Teeth : 19	.	.	1	1	1	1	1	1	1	1	1	1	1	1	1	1	
11	SPRING WASHER	3544-13280		1	1	1	1	1	1	1	1	1	1	1	1	1	1	1	1	
12	FLAT WASHER	01643-31032		1	1	1	1	1	1	1	1	1	1	1	1	1	1	1	1	
13	BOLT (M10x28 LH)	3540-13290		1	1	1	1	1	1	1	1	1	1	1	1	1	1	1	1	
14a	PINION	3540-13311	Teeth : 14	1	1	
14b	PINION	6213-13311	Teeth : 14	.	.	1	1	1	1	1	1	1	1	1	1	1	1	1	1	
15	BEARING	06000-06001		1	1	1	1	1	1	1	1	1	1	1	1	1	1	1	1	
16	BEARING	06001-06001		1	1	1	1	1	1	1	1	1	1	1	1	1	1	1	1	
17	SNAP RING	3130-13270		1	1	1	1	1	1	1	1	1	1	1	1	1	1	1	1	
18	SNAP RING	04065-02812		1	1	1	1	1	1	1	1	1	1	1	1	1	1	1	1	
19	BOLT (M6x35)	3540-13260		1	1	1	1	1	1	1	1	1	1	1	1	1	1	1	1	
20	HOLDER (A)	6251-13240		1	1	1	1	1	1	1	1	1	1	1	1	1	1	1	1	
21	HOLDER (B)	3540-13251		1	1	1	1	1	1	1	1	1	1	1	1	1	1	1	1	

. : Part not assigned for the version. () : Optional part.

FIG. 14 HANDLE GROUP

MODEL CODE		
A	430DWM60	KZ - ITALY
B	430FWM58	KZ - ITALY
C	431DWM56	KZ - DENMARK
D	431DWM57	KZ - FRANCE
E	431DWM58	KZ - EURO. & OTHER
F	431DWM59	ALLEN - UK
G	431FWM56	KZ - DENMARK
H	431FWM57	KZ - FRANCE
J	431FWM58	KZ - EURO. & OTHER

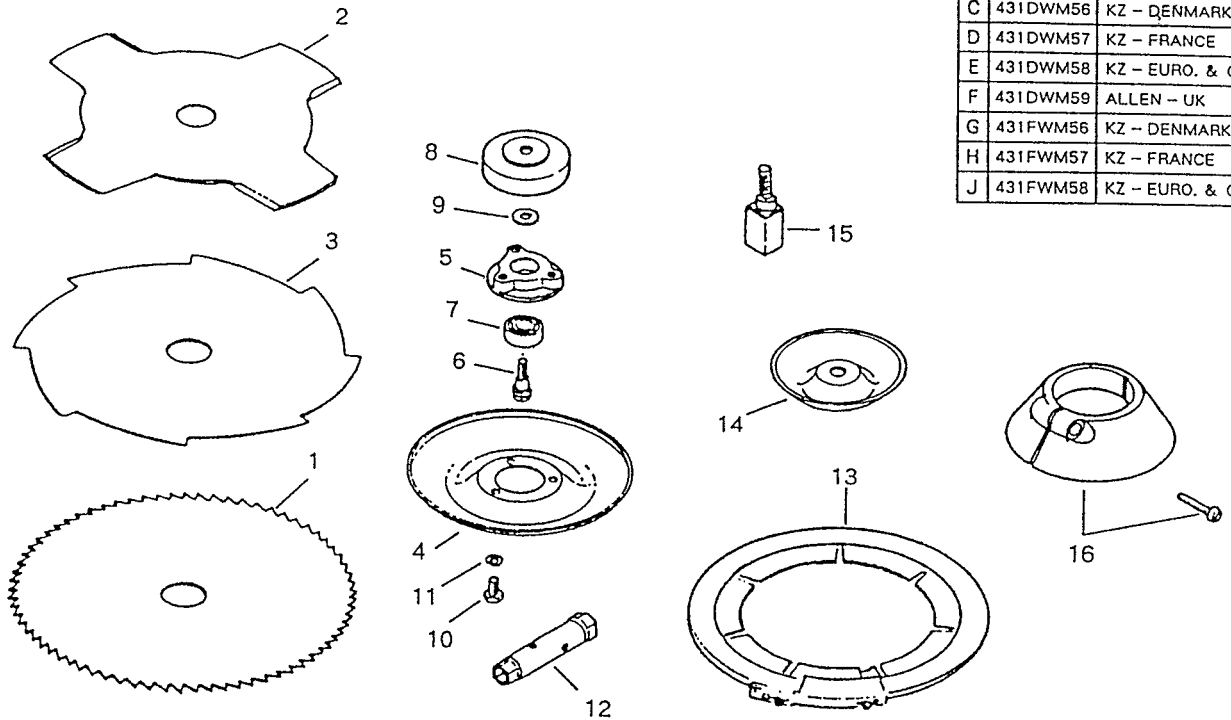


Index No.	Description	Part Number	Remarks	Q'ty per unit									
				A	B	C	D	E	F	G	H	J	
	BRACKET ASS'Y, handle	3540 - 14100	1 to 8	1	1	1	1	1	1	1	1	1	1
1	BRACKET	3540 - 14111		1	1	1	1	1	1	1	1	1	1
2	CAP, lower	3540 - 14122		1	1	1	1	1	1	1	1	1	1
3	CAP, upper	3540 - 14130		1	1	1	1	1	1	1	1	1	1
4	ABSORBER	3540 - 14140		1	1	1	1	1	1	1	1	1	1
5	CLAMP (A)	3540 - 14150		2	2	2	2	2	2	2	2	2	2
6	CLAMP (B)	3540 - 14160		1	1	1	1	1	1	1	1	1	1
7	BOLT (M5x25)	01252 - 30525		6	6	6	6	6	6	6	6	6	6
8	BOLT (M5x30)	01252 - 30530		4	4	4	4	4	4	4	4	4	4
	HANDLE COMP., left	3540 - 14200	9 & 10	1	1	1	1	1	1	1	1	1	1
9	HANDLE	*	* 3540 - 14200	1	1	1	1	1	1	1	1	1	1
10	GRIP	3540 - 14220		1	1	1	1	1	1	1	1	1	1
	HANDLE ASS'Y, right	6234 - 14303	11 to 16	1	1	1	1	1	1	1	1	1	1
11	HANDLE	*	* 6234 - 14303	1	1	1	1	1	1	1	1	1	1
12	GRIP	3540 - 14321		1	1	1	1	1	1	1	1	1	1
	LEVER & CORD ASS'Y	6234 - 14501	13 & 14	1	1	1	1	1	1	1	1	1	1
13	LEVER & SWITCH ASS'Y	6234 - 14601		1	1	1	1	1	1	1	1	1	1
14	CORD COMP.	6234 - 14701		1	1	1	1	1	1	1	1	1	1
15	CLAMP	3260 - 14250		1	1	1	1	1	1	1	1	1	1
16	SCREW (M5x16)	0260 - 00516		1	1	1	1	1	1	1	1	1	1
17	BAND	3540 - 93120		1	1	1	1	1	1	1	1	1	1

* : Part not assigned for the version. () : Optional part.

FIG. 16 CUTTING HEAD

MODEL CODE		
A	430DWM60	KZ - ITALY
B	430FWM58	KZ - ITALY
C	431DWM56	KZ - DENMARK
D	431DWM57	KZ - FRANCE
E	431DWM58	KZ - EURO. & OTHER
F	431DWM59	ALLEN - UK
G	431FWM56	KZ - DENMARK
H	431FWM57	KZ - FRANCE
J	431FWM58	KZ - EURO. & OTHER



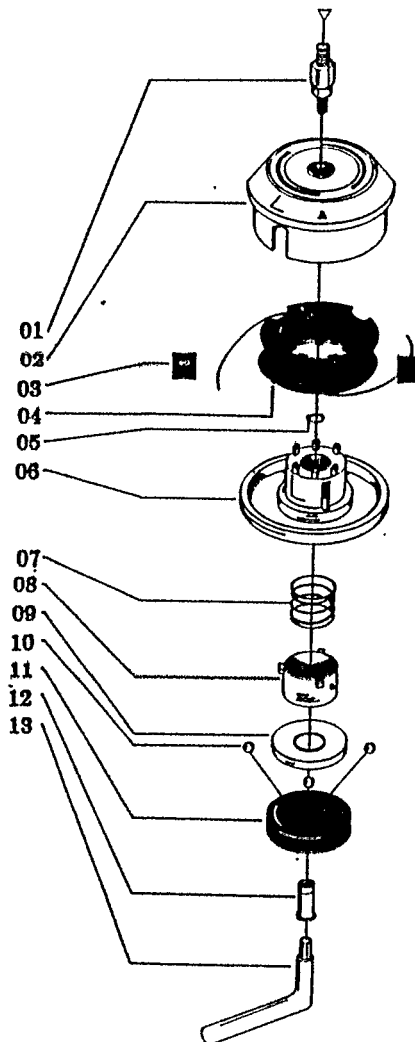
Index No.	Description	Part Number	Remarks	Q'ty per unit										
				A	B	C	D	E	F	G	H	J		
1	BLADE (φ 255x80T)	6299 - 11310		1	1	(1)	(1)	(1)	(1)	(1)	(1)	(1)	(1)	(1)
2	BLADE (φ 255x4T)	6299 - 14340		1	1	(1)	(1)	(1)	(1)	(1)	(1)	(1)	(1)	(1)
3	BLADE (φ 255x8T)	6299 - 15340		(1)	(1)	(1)	1	1	1	(1)	1	1	1	1
	STABILIZER ASS'Y	6210 - 92500	4 to 12	1	1	(1)	(1)	(1)	(1)	(1)	(1)	(1)	(1)	(1)
4	STABILIZER	3130 - 15312		1	1	(1)	(1)	(1)	(1)	(1)	(1)	(1)	(1)	(1)
5	HOLDER, bearing	3530 - 15331		1	1	(1)	(1)	(1)	(1)	(1)	(1)	(1)	(1)	(1)
6	SHAFT	3548 - 15351		1	1	(1)	(1)	(1)	(1)	(1)	(1)	(1)	(1)	(1)
7	BEARING	06004 - 06003		1	1	(1)	(1)	(1)	(1)	(1)	(1)	(1)	(1)	(1)
8	COVER	3548 - 15370		1	1	(1)	(1)	(1)	(1)	(1)	(1)	(1)	(1)	(1)
9	SPACER	3548 - 15380		1	1	(1)	(1)	(1)	(1)	(1)	(1)	(1)	(1)	(1)
10	BOLT (M6x12)	0212 - 50612		3	3	(3)	(3)	(3)	(3)	(3)	(3)	(3)	(3)	(3)
11	SPRING WASHER	0290 - 20615		3	3	(3)	(3)	(3)	(3)	(3)	(3)	(3)	(3)	(3)
12	SOCKET	3239 - 91310		1	1	(1)	(1)	(1)	(1)	(1)	(1)	(1)	(1)	(1)
13	COVER, blade	6251 - 15910			1	1	1	1	1	1	1	1	1	1
14	COVER, blade bolt	3540 - 13283			(1)	(1)	1	1	1	1	1	1	1	1
15	SHAFT, nylon head adapter	3140 - 13261		(1)	(1)	1	1	1	1	1	1	1	1	
16	COVER, gear case	3549 - 13270		(1)	(1)	1	(1)	(1)	(1)	1	(1)	(1)	(1)	

* : Part not assigned for the version. () : Optional part.

Reservedelsliste for Feed-Matic snørehoved

for 'TEXAS' buskryddere

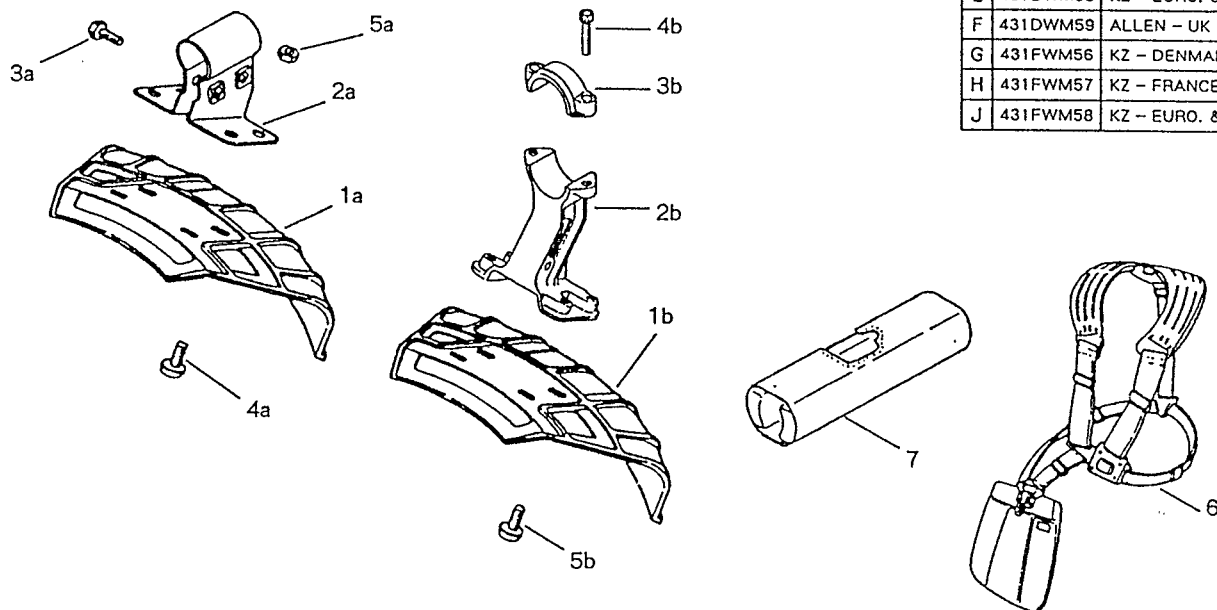
1992/1



Pos.nr.	Best.nr.	Tekst
01	10-101007	Adapter for BC 220
01a	10-101008	Adapter for 340 M
01b	10-101010	Adapter for 431 M
02	10-101061	Spolehus
03	10-106003	Snørestyr
04	10-101030	Spole
05	10-103025	Låsering
06	10-101053	Bund for spolehus
06a	10-201003	Komplet bund pos. 5-12
07	10-107006	Fjeder
08	10-101069	Fjederholder
09	10-101070	Kugleskål
10	10-102073	Stålkugle
11	10-101071	Kugleholder
12	10-101056	Bolt
13	10-109006	Nøgle
14	22007100	Snørehoved for BC 220 7 MM
15	34008125	Snørehoved for 340 M 8 MM
16	43110125	Snørehoved for 431 M 10 MM

FIG. 15 GUARD & STRAP GROUP

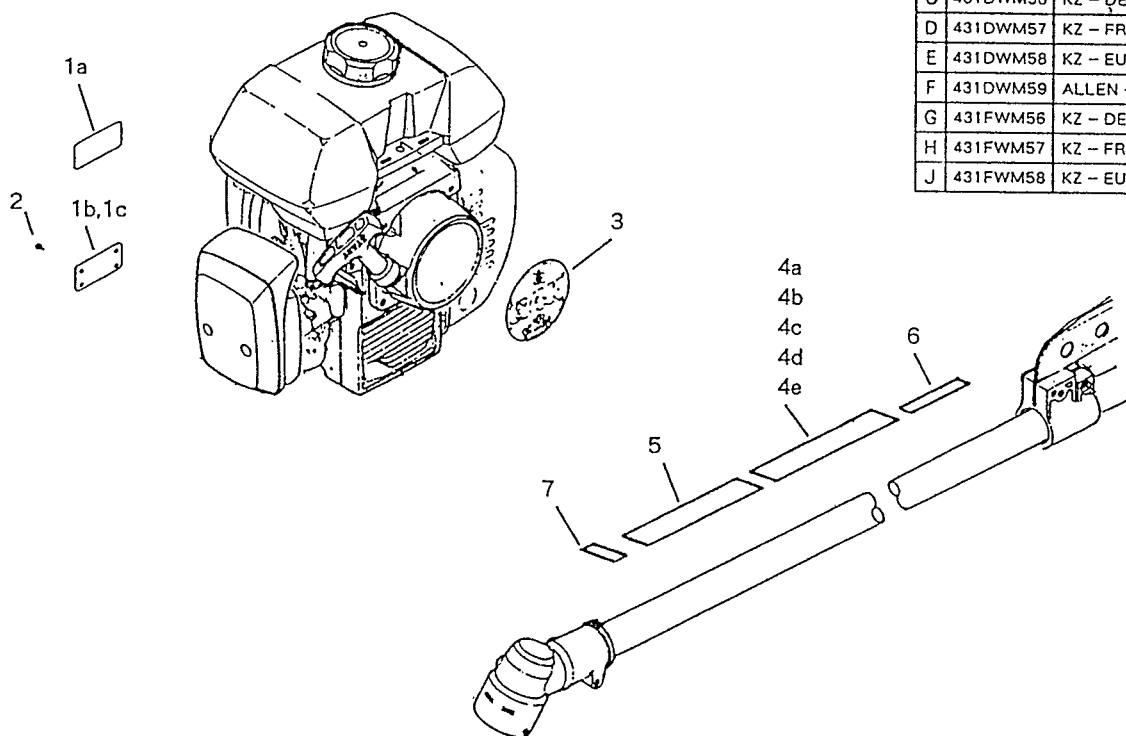
MODEL CODE		
A	430DWM60	KZ - ITALY
B	430FWM58	KZ - ITALY
C	431DWM56	KZ - DENMARK
D	431DWM57	KZ - FRANCE
E	431DWM58	KZ - EURO. & OTHER
F	431DWM59	ALLEN - UK
G	431FWM56	KZ - DENMARK
H	431FWM57	KZ - FRANCE
J	431FWM58	KZ - EURO. & OTHER



Index No.	Description	Part Number	Remarks	Q'ty per unit										
				A	B	C	D	E	F	G	H	J		
1a	GUARD ASS'Y	3231 - 24103	1a to 5a	1	1
	GUARD	3231 - 24114	24112	1	1
2a	BRACKET	3231 - 24120		1	1
3a	BOLT (M6x20)	0225 - 10620		2	2
4a	SCREW (M6x14)	0260 - 30614		4	4
5a	NUT	0280 - 10605		4	4
1b	GUARD ASS'Y	6251 - 24000	1b to 5b	.	.	1	1	1	1	1	1	1	1	1
	GUARD	3231 - 24114	24112	.	.	1	1	1	1	1	1	1	1	1
2b	BRACKET	6251 - 24120		.	.	1	1	1	1	1	1	1	1	1
3b	CAP	3543 - 14121		.	.	1	1	1	1	1	1	1	1	1
4b	BOLT (M5x22)	01252 - 30522		.	.	2	2	2	2	2	2	2	2	2
5b	SCREW (M6x20)	0260 - 30620		.	.	4	4	4	4	4	4	4	4	4
6	HARNESS ASS'Y	6220 - 17201		1	1	1	1	1	1	1	1	1	1	1
7	PROTECTOR	3523 - 17111		1	1	1	1	1	1	1	1	1	1	1

. : Part not assigned for the version. () : Optional part.

FIG. 17 LABELS



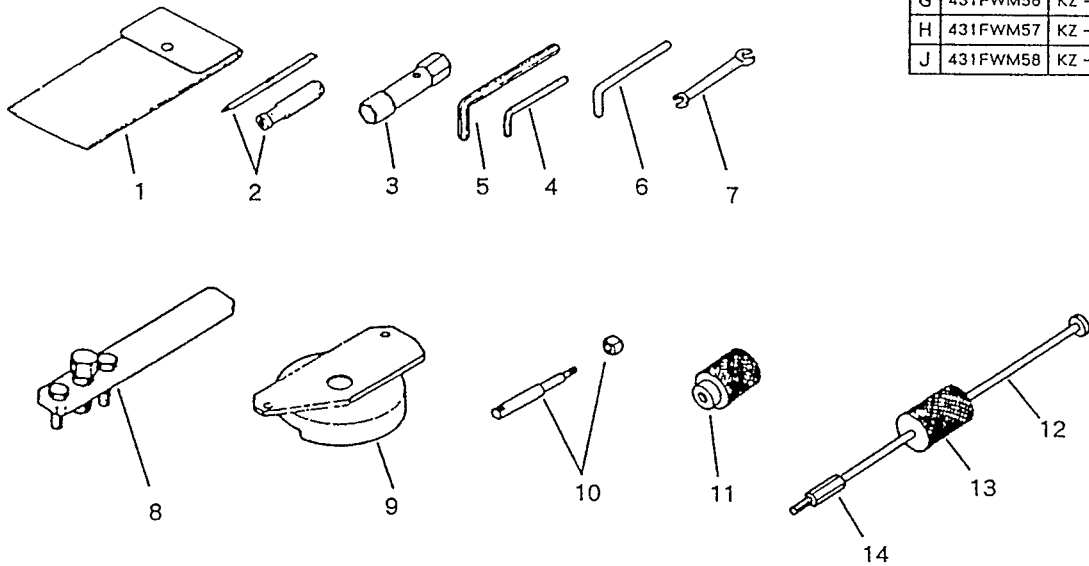
MODEL CODE		
A	430DWM60	KZ - ITALY
B	430FWM58	KZ - ITALY
C	431DWM56	KZ - DENMARK
D	431DWM57	KZ - FRANCE
E	431DWM58	KZ - EURO. & OTHER
F	431DWM59	ALLEN - UK
G	431FWM56	KZ - DENMARK
H	431FWM57	KZ - FRANCE
J	431FWM58	KZ - EURO. & OTHER

Index No.	Description	Part Number	Remarks	Qty per unit									
				A	B	C	D	E	F	G	H	J	
1a	LABEL, fan cover	1660 - 31120	Brand	1	1	1	.	1	1	1	.	.	1
1b	LABEL, fan cover	1426 - 31120	Conformity - DWM	.	.	.	1
1c	LABEL, fan cover	1445 - 31120	Conformity - FWM	1	.
2	RIVET	0304 - 02040		.	.	.	4	4	.
3	LABEL, starter	1403 - 75410	Engine Model	1	1	1	1	1	1	1	1	1	1
4a	NAME PLATE	3547 - 12511		1
4b	NAME PLATE	3546 - 12511		.	1
4c	NAME PLATE	6214 - 12511		.	.	1	1	1
4d	NAME PLATE	3547 - 12533		1
4e	NAME PLATE	6213 - 12511		1	1	1	1
5	CAUTION PLATE	3975 - 12521	ISO	1	1	1	1	1	1	1	1	1	1
6	CAUTION PLATE	6068 - 12610		.	.	.	1	.	.	.	1	.	.
7	POSITIONING LABEL	3553 - 11551		1	1	1	1	1	1	1	1	1	1

. : Part not assigned for the version. () : Optional part.

FIG. 18 SERVICE TOOLS

MODEL CODE		
A	430DWM60	KZ - ITALY
B	430FWM58	KZ - ITALY
C	431DWM56	KZ - DENMARK
D	431DWM57	KZ - FRANCE
E	431DWM58	KZ - EURO. & OTHER
F	431DWM59	ALLEN - UK
G	431FWM56	KZ - DENMARK
H	431FWM57	KZ - FRANCE
J	431FWM58	KZ - EURO. & OTHER



Index No.	Description	Part Number	Remarks	Q'ty per unit										
				A	B	C	D	E	F	G	H	J		
	TOOL SET	3540 - 91000	1 to 7	1	1	1	1	1	1	1	1	1	1	1
1	BAG	1030 - 91112		1	1	1	1	1	1	1	1	1	1	1
2	SCREWDRIVER	1030 - 91340		1	1	1	1	1	1	1	1	1	1	1
3	SOCKET	3144 - 91160		1	1	1	1	1	1	1	1	1	1	1
4	WRENCH (Hex 4mm)	09007 - 00425		1	1	1	1	1	1	1	1	1	1	1
5	WRENCH (Hex 5mm)	09007 - 00528		1	1	1	1	1	1	1	1	1	1	1
6	BAR	3540 - 91110		1	1	1	1	1	1	1	1	1	1	1
7	SPANNER	3540 - 91120		1	1	1	1	1	1	1	1	1	1	1
8	PULLER ASS'Y	1075 - 96100	Rotor & Pulley	(1)	(1)	(1)	(1)	(1)	(1)	(1)	(1)	(1)	(1)	(1)
9	SET BLOCK	1400 - 96210	Ignition coil	(1)	(1)	(1)	(1)	(1)	(1)	(1)	(1)	(1)	(1)	(1)
10	ROD ASS'Y	1400 - 96300	Piston pin	(1)	(1)	(1)	(1)	(1)	(1)	(1)	(1)	(1)	(1)	(1)
11	BLOCK	3520 - 96150	Pinion	(1)	(1)	(1)	(1)	(1)	(1)	(1)	(1)	(1)	(1)	(1)
	BEARING PULLER	3540 - 96100	Gear case	(1)	(1)	(1)	(1)	(1)	(1)	(1)	(1)	(1)	(1)	(1)
12	SHAFT	3238 - 99110		(1)	(1)	(1)	(1)	(1)	(1)	(1)	(1)	(1)	(1)	(1)
13	WEIGHT	3238 - 99120		(1)	(1)	(1)	(1)	(1)	(1)	(1)	(1)	(1)	(1)	(1)
14	ADAPTER (C)	3540 - 99130	M10x1.25P LH	(1)	(1)	(1)	(1)	(1)	(1)	(1)	(1)	(1)	(1)	(1)

• : Part not assigned for the version. () : Optional part.