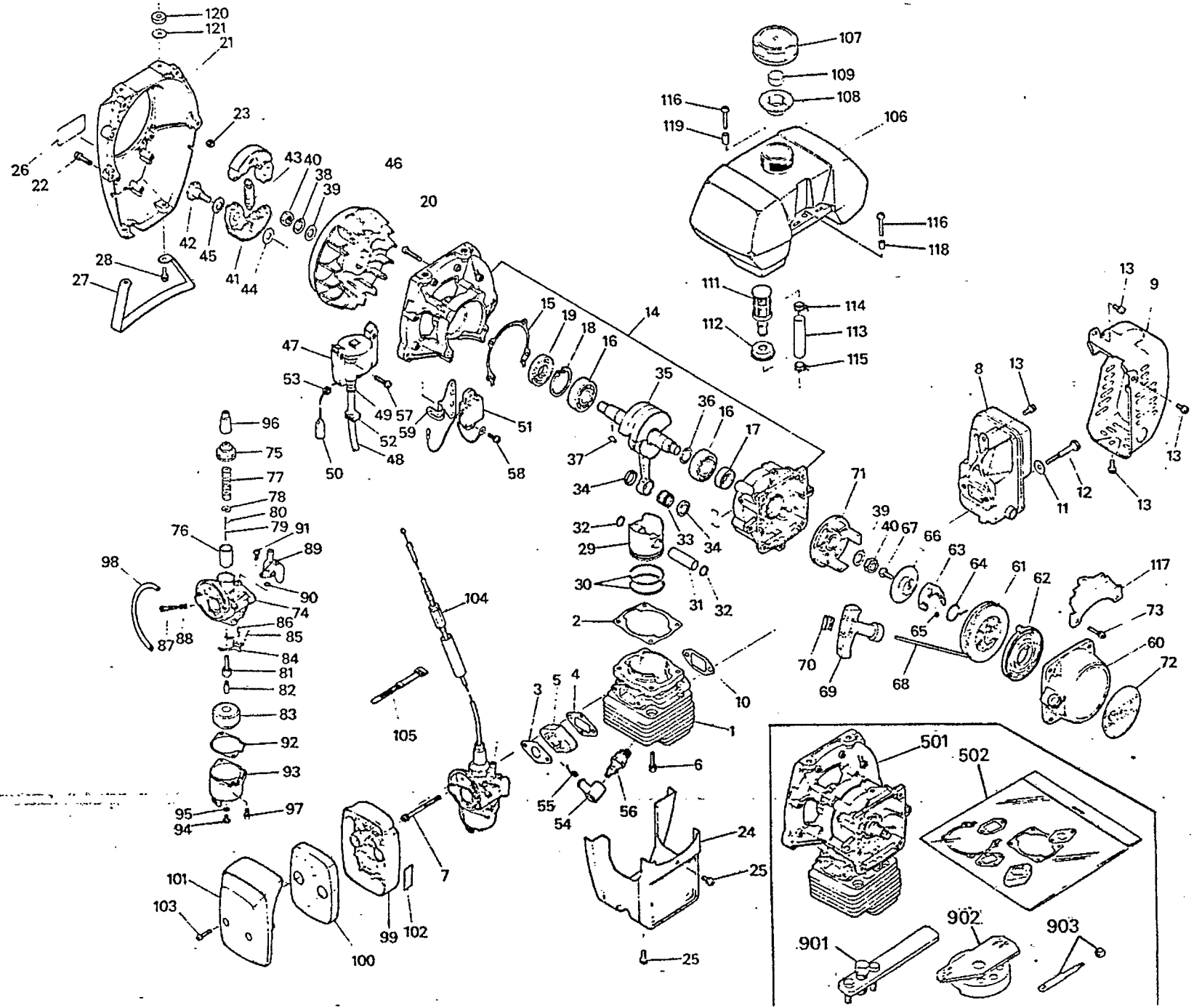


Fig. 1. ENGINE SECTION



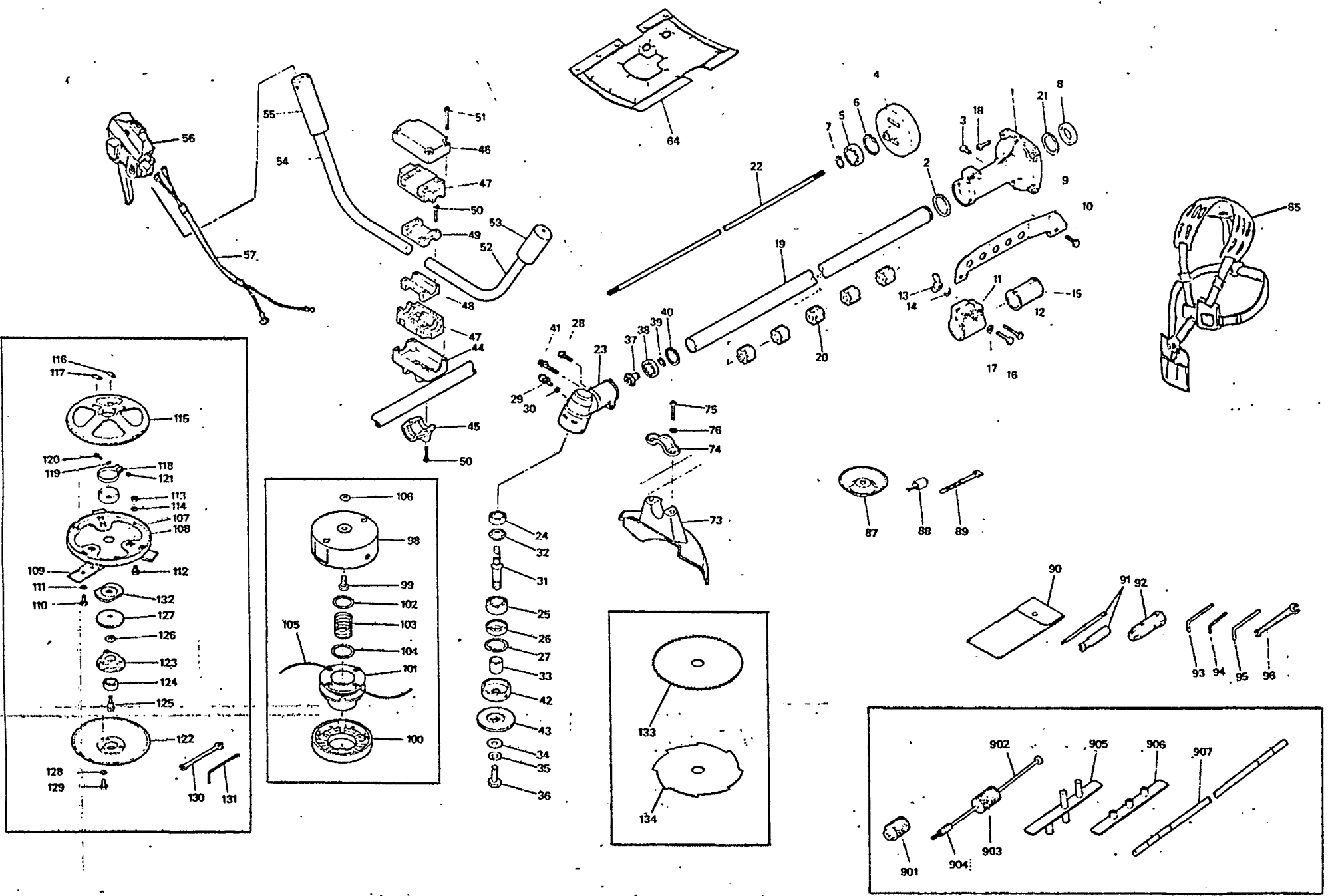
ENGINE SECTION (Fig. 1)

Index No.	Part Number	Description	Q'ty per unit	Remarks
1	1400-12111	Cylinder	1	
2	1400-13120	Gasket, cylinder	1	
3	1400-13130	Gasket, carburetor	1	
4	1400-13150	Gasket, insulator	1	
5	1400-13160	Insulator	1	
6	3310-12280	Bolt	4	
7	0260-30560	Screw	2	
8	1400-15111	Muffler	1	
9	1400-15410	Cover, muffler	1	
10	1400-13142	Gasket, muffler	1	
11	1140-51230	Washer	2	
12	0212-50665	Bolt	2	
13	1400-15510	Screw	4	
14	1400-21100	Crankcase comp.	1	
15	1400-21140	Gasket, crankcase	1	
16	06030-06202	Bearing	2	
17	1520-21220	Oil seal, starter side	1	
18	04065-03515	Snap ring	1	
19	1400-21220	Oil seal, fan side	1	
20	0260-00530	Screw	4	
21	1400-31111	Cover, fan	1	
22	0263-60520	Screw	4	
23	1100-72120	Grommet	1	
24	1400-32110	Cover, cylinder	1	
25	1400-15510	Screw	2	
26	1660-31120	Label	1	
27	3540-93110	Stand	1	
28	1400-15510	Screw	2	
29	1400-41111	Piston	1	
30	1400-41220	Ring, piston	2	
31	1400-41310	Pin, piston	1	
32	3350-41320	Snap ring	2	
33	1400-41410	Bearing	1	
34	1400-41510	Thrust washer	2	<input type="checkbox"/> 2616-41510
35	1400-42001	Crankshaft comp.	1	
36	1300-42410	Shim	0 - 1	
37	1000-43240	Key	1	
38	0290-21025	Washer	1	
39	01641-21016	Washer	2	
40	1100-43231	Nut	2	
41	1400-51110	Shoe	2	
42	1200-51211	Screw	2	
43	1400-51220	Spring, clutch	1	
44	1200-51230	Washer	2	
45	1200-51240	Washer	2	
46	1400-71110	Rotor	1	
	1650-71200	Coil assy	-	47 to 50. <input type="checkbox"/> 1650-71201
47	*	Coil, ignition	1	*1650-71200/1650-71201
48	1400-71220	Cord	1	
49	1400-71230	Cap, cord	1	
50	1650-71240	Cord	1	<input type="checkbox"/> 1650-71241

Index No.	Part Number	Description	Q'ty per unit	Remarks
51	1400-71310	Unit, control	1	
52	3320-72211	Grommet, high tension	1	
53	1100-72120	Grommet	1	
54	1400-72111	Cap, spark plug	1	
55	1400-72121	Spring, plug cap	1	
56	1216-73110	Spark plug	1	Champion RCJ-8Y
57	1400-75510	Screw	3	
58	0260-30516	Screw	2	
59	1400-72310	Clamp	1	
	1400-75100	Recoil assy	-	60 to 70
60	1400-75110	Case	1	
61	1400-75120	Reel	1	
62	1400-75130	Spring, spiral	1	
63	1400-75140	Ratchet	1	
64	1179-75251	Spring, friction	1	
65	1179-75320	Spring, return	1	
66	1400-75180	Retainer	1	
67	1179-75271	Screw	1	
68	1400-75160	Rope	1	
69	1400-75170	Knob	1	
70	1179-75340	Cap	1	
71	1400-75211	Pulley, starter	1	
72	1403-75410	Label	1	
73	1400-75510	Screw	4	
	1400-81002	Carburetor assy	-	74 to 98
74	*	Body, carburetor	1	*1400-81002
75	1650-81120	Cap, body	1	
76	1400-81150	Valve, throttle	1	
77	1335-81060	Spring, throttle	1	
78	1335-81070	Receive, throttle spring	1	
79	1400-81210	Needle, jet	1	
80	1030-81000-16	Clip, jet needle	1	
81	1400-81230	Jet, needle	1	
82	1400-81240	Jet, main	1	
83	1335-81180	Float	1	
84	1400-81340	Hinge, float	1	
85	1400-81350	Pin, float hinge	1	
86	1400-81360	Valve, inlet	1	
87	1650-81250	Screw, adjust	1	
88	1650-81260	Spring, adjust screw	1	
89	1400-81500	Valve assy, fuel shutoff	1	
90	1400-81540	O-ring	1	
91	0260-10410	Screw	2	
92	1400-81320	Packing	1	
93	1400-81310	Chamber, float	1	
94	1400-81650	Screw, drain	1	
95	1400-81660	Packing	1	
96	3422-81130	Cap	1	
97	0260-10412	Screw	2	
98	1650-81710	Pipe	1	
	1651-82001	Air cleaner assy		99 to 102
99	1400-82111	Body, air cleaner	1	
100	1400-82130	Element	1	

Index No.	Part Number	Description	Qty per unit	Remarks
101	1400-82120	Cover, air cleaner	1	
102	1133-82060	Label	1	
103	0260-30422	Screw	2	
104	1650-83100	Cable comp., throttle	1	
105	1620-81910	Band, cable	1	
	1403-85003	Fuel tank assy	-	106 to 114
106	*	Tank, fuel	1	*1403-85003
	1403-85301	Cap assy, fuel tank	-	107 to 109
107	*	Cap	1	*1403-85301
108	*	Inner cap	1	*1403-85301
109	*	Element	1	*1403-85301
	1400-04011	Joint kit	-	111 & 112
111	*	Strainer	1	*1400-04011
112	1400-85140	Grommet	1	
113	1400-86110	Pipe, fuel	1	
114	3063-22510	Clip	1	
115	3063-22510	Clip	1	
116	1600-86120	Screw	3	
117	1400-86212	Support	1	□ 1400-86213
118	1400-86250	Collar	1	
119	1400-86260	Collar	2	
120	1400-86271	Cushion	2	
121	1400-86280	Washer	2	
501	1400-05020	Short block	-	OP
502	1400-06011	Gasket kit	-	OP
901	1075-96100	Rotor puller	-	OP
902	1400-96210	Coil set block	-	OP
903	1400-96300	Piston pin guide	+	OP

Fig. 2 DRIVESHAFT ACCESSORIES TOOLS



DRIVESHAFT . ACCESSORIES . TOOLS (Fig. 2)

Index No.	Part Number	Description	Q'ty per unit	Remarks
	3540-11101	Housing comp.	-	1 to 3
1	3540-11111	Housing	1	
2	3144-11150	Seal	1	
3	0260-20610	Screw	1	
4	3540-11311	Drum, clutch	1	
5	06004-06202	Bearing	1	
6	04065-03515	Snap ring	1	
7	04064-01510	Snap ring	1	
8	3540-11410	Spacer	1	
9	3549-11420	Hanger	1	
10	0224-10616	Bolt	1	
	3540-11441	Bracket comp.	-	11 to 15
11	3540-11432	Bracket	1	
12	0224-00635	Bolt	1	
13	3540-11460	Nut	1	
14	01642-20608	Washer	1	
15	3540-11450	Spacer	1	
16	0224-00625	Bolt	1	
17	01642-20608	Washer	1	
18	3540-11510	Bolt	4	
	3546-12102	Pipe comp.		19 & 20
19	*	Pipe	1	*3546-12102
20	3130-11324	Bushing	5	
21	3260-11410	Ring	1	
22	3540-12211	Driveshaft	1	
	6213-13000	Gearcase assy	-	23 to 43
23	6213-13120	Gearcase	1	
24	06000-06000	Bearing	1	
25	06000-06202	Bearing	1	
26	3130-13141	Oil seal	1	
27	04065-03515	Snap ring	1	
28	01252-30510	Bolt	1	
29	3199-13350	Fitting, grease	1	
30	01641-20608	Washer	1	
31	3540-13210	Shaft	1	
32	6213-13220	Gear	1	
33	3540-13230	Collar	1	
34	01643-31032	Washer	1	
35	3544-13280	Washer	1	
36	3130-13260	Bolt	1	
37	6213-13310	Pinion	1	
38	06001-06001	Bearing	1	
39	3130-13270	Ring	1	
40	04065-02812	Ring	1	
41	3540-13260	Bolt	1	
42	3540-13240	Holder (A)	1	
43	3540-13251	Holder (B)	1	
	3540-14100	Bracket assy	-	44 to 51
44	3540-14110	Bracket	1	
45	3540-14122	Cap, lower	1	

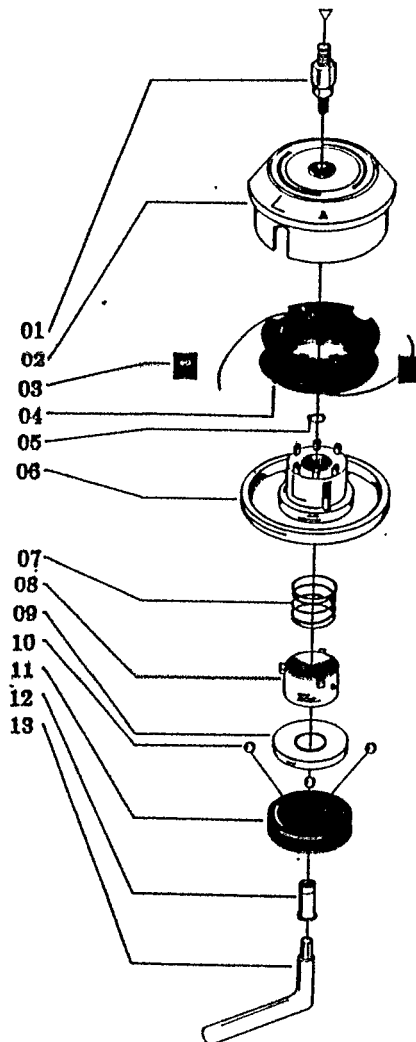
Index No.	Part Number	Description	Q'ty per unit	Remarks
46	3540-14130	Cap, upper	1	
47	3540-14140	Absorber	2	
48	3540-14150	Clamp (A)	1	
49	3540-14160	Clamp (B)	1	
50	01252-30525	Bolt	6	
51	01252-30530	Bolt	4	
	3540-14200	Handle comp., left	-	52 & 53
52	*	Handle	1	*3540-14200
53	*	Grip	1	*3540-14200
	6234-14302	Handle assy, right	-	54 to 57
54	*	Handle	1	*6234-14302
55	*	Grip	1	*6234-14302
56	6234-14601	Lever	1	
57	6234-14701	Cord comp.	1	
64	3523-17111	Protector	1	
65	6220-17200	Harness assy	1	
	3540-24000	Guard assy	-	73 to 76
73	3540-24111	Guard	1	
74	3540-24121	Clamp	1	
75	3540-24130	Bolt	2	
76	0290-20615	Washer	2	
87	3540-13280	Cover, bolt	1	
88	3140-13261	Shaft	1	
89	3540-93120	Band	1	
	3540-91000	Tool kit	-	90 to 96
90	1030-91112	Bag	1	
91	1030-91340	Screwdriver	1	
92	3144-91160	Socket	1	
93	09007-00528	Wrench	1	
94	09007-00425	Wrench	1	
95	3540-91110	Bar	1	
96	3540-91120	Spanner	1	
	3231-99001	Auto head assy	-	98 to 106
98	3231-99111	Case (A)	1	OP
99	3231-99120	Shaft	1	OP
100	3231-99131	Case (B)	1	OP
101	3231-99140	Cord holder	1	OP
102	3268-15150	Plate	1	OP
103	3268-15160	Spring	1	OP
104	3268-15170	Plate	1	OP
105	3238-15180	Cord	1	OP
106	0291-21020	Washer	1	OP
	3548-15003	Mower unit	-	107 to 132
	3530-15101	Cutter assy	-	107 to 114
107	3530-15121	Disk	1	OP
108	3530-15170	Ring	1	OP
109	3144-15120	Blade	3	OP
110	0212-50814	Bolt	6	OP

Index No.	Part Number	Description	Q'ty per unit	Remarks
111	0290-20820	Washer	6	OP
112	0224-00610	Bolt	3	OP
113	0280-10605	Nut	3	OP
114	0290-20615	Washer	3	OP
	3548-15201	Cover assy	-	115 to 121
115	3548-15210	Cover	1	OP
116	3530-15230	Plug	1	OP
117	3530-15240	Plug	1	OP
118	3530-15220	Clamp	1	OP
119	3263-15240	Plate	1	OP
120	01252-30516	Bolt	1	OP
121	0280-10504	Nut	1	OP
	3548-15304	Stabilizer assy	-	122 to 129
122	3530-15314	Stabilizer	1	OP
	3548-06010	Bearing holder	-	123 to 125
123	3530-15331	Case	1	OP
124	06004-06003	Bearing	1	OP
125	3548-15351	Shaft	1	OP
126	3548-15380	Spacer	1	OP
127	3548-15370	Bearing cover	1	OP
128	0290-20615	Washer	3	OP
129	0212-50612	Bolt	3	OP
130	3530-15360	Spanner	1	OP
131	3530-15910	Wrench	1	OP
132	3130-13253	Holder	1	OP
133	6299-11310	Saw, circular	1	OP ϕ 255 mm
134	6299-15340	Saw, eddy	1	OP ϕ 255 mm
901	3520-96150	Block	-	OP
	3540-96100	Puller comp.	-	902 to 904
902	3238-99110	Shaft	1	OP
903	3238-99120	Weight	1	OP
904	3540-99130	Adapter	1	OP
905	3180-96111	Spanner (A)	-	OP
906	3180-96122	Spanner (B)	-	OP
907	3540-96170	Rod	-	OP

Reservedelsliste for Feed-Matic snørehoved

for 'TEXAS' buskryddere

1992/1



Pos.nr.	Best.nr.	Tekst
01	10-101007	Adapter for BC 220
01a	10-101008	Adapter for 340 M
01b	10-101010	Adapter for 431 M
02	10-101061	Spolehus
03	10-106003	Snørestyr
04	10-101030	Spole
05	10-103025	Låsering
06	10-101053	Bund for spolehus
06a	10-201003	Komplet bund pos. 5-12
07	10-107006	Fjeder
08	10-101069	Fjederholder
09	10-101070	Kugleskål
10	10-102073	Stålkugle
11	10-101071	Kugleholder
12	10-101056	Bolt
13	10-109006	Nøgle
14	22007100	Snørehoved for BC 220 7 MM
15	34008125	Snørehoved for 340 M 8 MM
16	43110125	Snørehoved for 431 M 10 MM