

PARTS LIST

BRUSHCUTTERS

BC3401DLM

BC3401DWM

BC4301DLM

BC4301DWM

NOTE :

1. Use KOMATSU ZENOAH genuine parts as specified in the parts list for repair and/or replacement.
2. KOMATSU ZENOAH does not warrant the machines, which have been damaged by the use of any parts other than those specified by the company.
3. When placing parts orders for repair and/or replacement, check if the model name and the serial number are applicable to those specified in the parts list, then use parts number described in the parts list.
4. The contents described in the parts list are accurate as of the date and may change due to improvement.
5. The parts for the machine shall be supplied ten (10) years after the machine is discontinued. [It is possible that some specific parts may be subject to change of their delivery term and list price within the limit of ten (10) years after the machine is discontinued. It is also possible that some parts may be available even after the limit of ten (10) years.]

APPLICABLE SERIAL NUMBERS:

100101 and up

January 2002

Fig.2 CUTTER GROUP

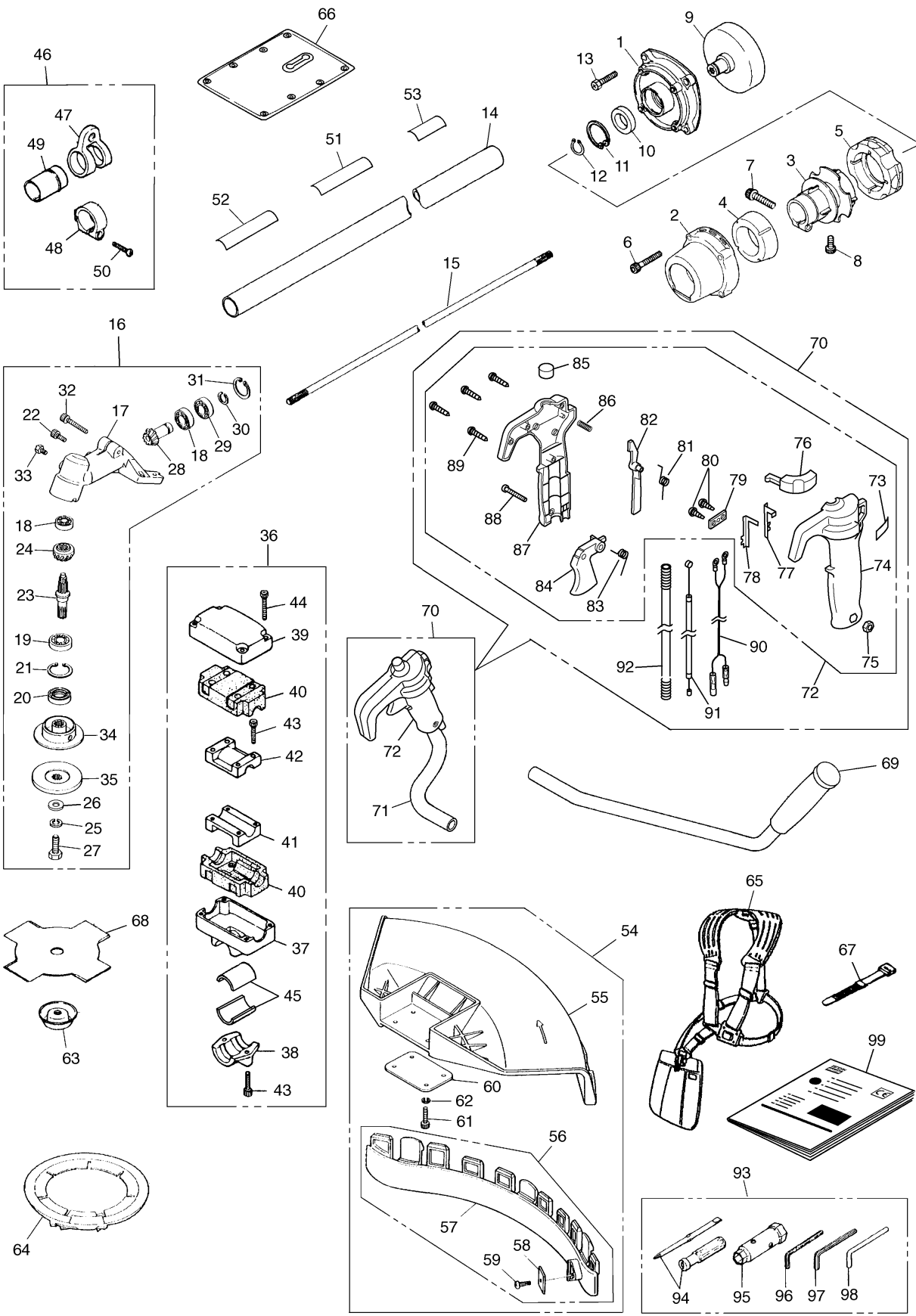


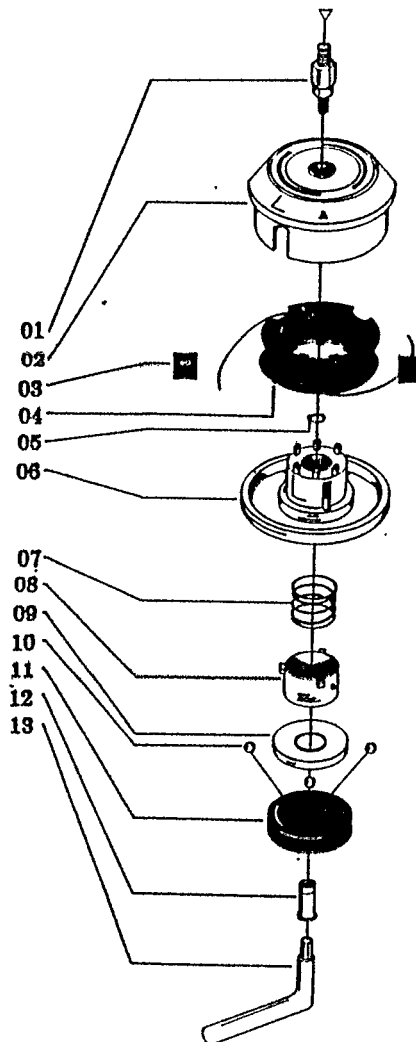
Fig.2 CUTTER GROUP

Key#	PART NUMBER	DESCRIPTION	Q'TY /UNIT	NOTE	Key#	PART NUMBER	DESCRIPTION	Q'TY /UNIT	NOTE
1	4050-11110	HOUSING	1		65	6220-17202	HARNASS ASSY	1	
2	4050-11150	CAP	1		66	4050-17110	PROTECTOR	1	
3	4050-11210	JOINT	1		67	3540-93120	BAND	1	
4	4050-11250	ABSORBER-F	1		68	6298-14343	SAW	1	
5	4050-11260	ABSORBER-R	1		69	K6010-000510	HANDLE-L COMP	1	
6	01252-30530	BOLT	4		70	T3113-14100	HANDLE-R COMP	1	
7	01252-30630	BOLT	1		71	K3200-000340	• HANDLE-R	1	
8	01252-30510	BOLT	1		72	K6010-000550	• GRIP&LEV, COMP	1	
9	T3113-11310	DRUM	1		73	K2200-000040	•• LABEL	1	
10	06004-06202	BEARING	1		74	K2300-000050	•• GRIP (L)	1	
11	04065-03515	RING	1		75	B1181-040545	•• NUT	1	
12	04064-01510	RING	1		76	K2300-000080	•• SWITCH	1	
13	3544-11510	BOLT	4		77	K5100-000030	•• SPRING	1	
14	T3113-12100	PIPE COMP	1	ø26x1500	78	K5100-000040	•• SPRING	1	
15	3520-12213	SHAFT, spline ø7x7teeth	1	ø7x1536	79	K2300-000090	•• HOLDER	1	
16	6522-13000	GEARCASE ASSY	1		80	B1122-C2910H	•• SCREW, M3x10	2	Tapping
17	6522-13110	• GEARCASE	1		81	K5100-000020	•• SPRING	1	
18	06000-06000	• BEARING	2		82	K2300-000070	•• LEVER	1	
19	06000-06202	• BEARING	1		83	K5100-000010	•• SPRING	1	
20	3130-13141	• SEAL	1		84	K2300-000060	•• LEVER	1	
21	04065-03515	• RING, SNAP	1		85	K1300-000060	•• PLUG	1	
22	01252-30510	• BOLT	1		86	K5100-000050	•• SPRING	1	
23	3540-13212	• SHAFT	1		87	K2300-000040	•• GRIP (R)	1	
24	3540-13220	• GEAR,	1		88	B1111-A0530H	•• SCREW, M5x30	1	
25	3544-13280	• WASHER	1		89	B1122-C4220H	•• SCREW, M4x20	5	Tapping
26	01643-31032	• WASHER	1		90	K5200-000070	• CORD	1	
27	3540-13290	• BOLT	1	M10(L)	91	K5100-000130	• CABLE	1	
28	6522-13310	• PINION	1		92	K5200-000080	• TUBE	1	
29	06001-06000	• BEARING	1		93	T3113-91000	TOOL KIT	1	
30	3180-13330	• RING	1		94	1030-91340	• DRIVER	1	
31	04065-02612	• RING	1		95	3144-91160	• SOCKET	1	
32	3540-13260	• BOLT	1		94	09007-00425	• WRENCH	1	
33	0224-40610	• BOLT	1		97	09007-00528	• WRENCH	1	
34	6251-13240	• HOLDER(A)	1		98	3540-91110	• BAR	1	
35	3540-13251	• HOLDER(B)	1		99	T3115-93110	MANUAL	1	
36	3530-14900	BRACKET ASSY	1						
37	3540-14910	• BRACKET	1						
38	3540-14920	• CAP-L	1						
39	3540-14930	• CAP-U	1						
40	3540-14140	• ABSORBER	2						
41	3540-14150	• CLAMP	1						
42	3540-14160	• CLAMP	1						
43	01252-30525	• BOLT	6						
44	01252-30530	• BOLT	4						
45	3530-14171	• SPACER	2						
46	6520-17100	HANGER ASSY	1						
47	6520-17110	• HANGER	1						
48	6520-17120	• CLAMP	1						
49	6520-17130	• SPACER	1						
50	0263-90525	• SCREW	1						
51	T3113-12510	PLATE, name	1						
52	T3113-12590	PLATE, number	1						
53	6425-12552	PLATE, caution	1						
54	6489-24000	GUARD ASSY	1						
55	6489-24110	• GUARD	1						
56	6489-24200	• PLATE COMP	1						
57	6489-24210	•• PLATE	1						
58	6489-24220	•• BLADE	1						
59	0277-10412	•• SCREW	1						
60	6489-24120	• PLATE	1						
61	01252-30516	• BOLT	4						
62	01601-20513	• WASHER	4						
63	3540-13283	COVER	1						
64	6251-15910	COVER	1						

Reservedelsliste for Feed-Matic snørehoved

for 'TEXAS' buskryddere

1992/1



Pos.nr.	Best.nr.	Tekst
01	10-101007	Adapter for BC 220
01a	10-101008	Adapter for 340 M
01b	10-101010	Adapter for 431 M
02	10-101061	Spolehus
03	10-106003	Snørestyr
04	10-101030	Spole
05	10-103025	Låsering
06	10-101053	Bund for spolehus
06a	10-201003	Komplet bund pos. 5-12
07	10-107006	Fjeder
08	10-101069	Fjederholder
09	10-101070	Kugleskål
10	10-102073	Stålkugle
11	10-101071	Kugleholder
12	10-101056	Bolt
13	10-109006	Nøgle
14	22007100	Snørehoved for BC 220 7 MM
15	34008125	Snørehoved for 340 M 8 MM
16	43110125	Snørehoved for 431 M 10 MM

Fig.3 ENGINE GROUP

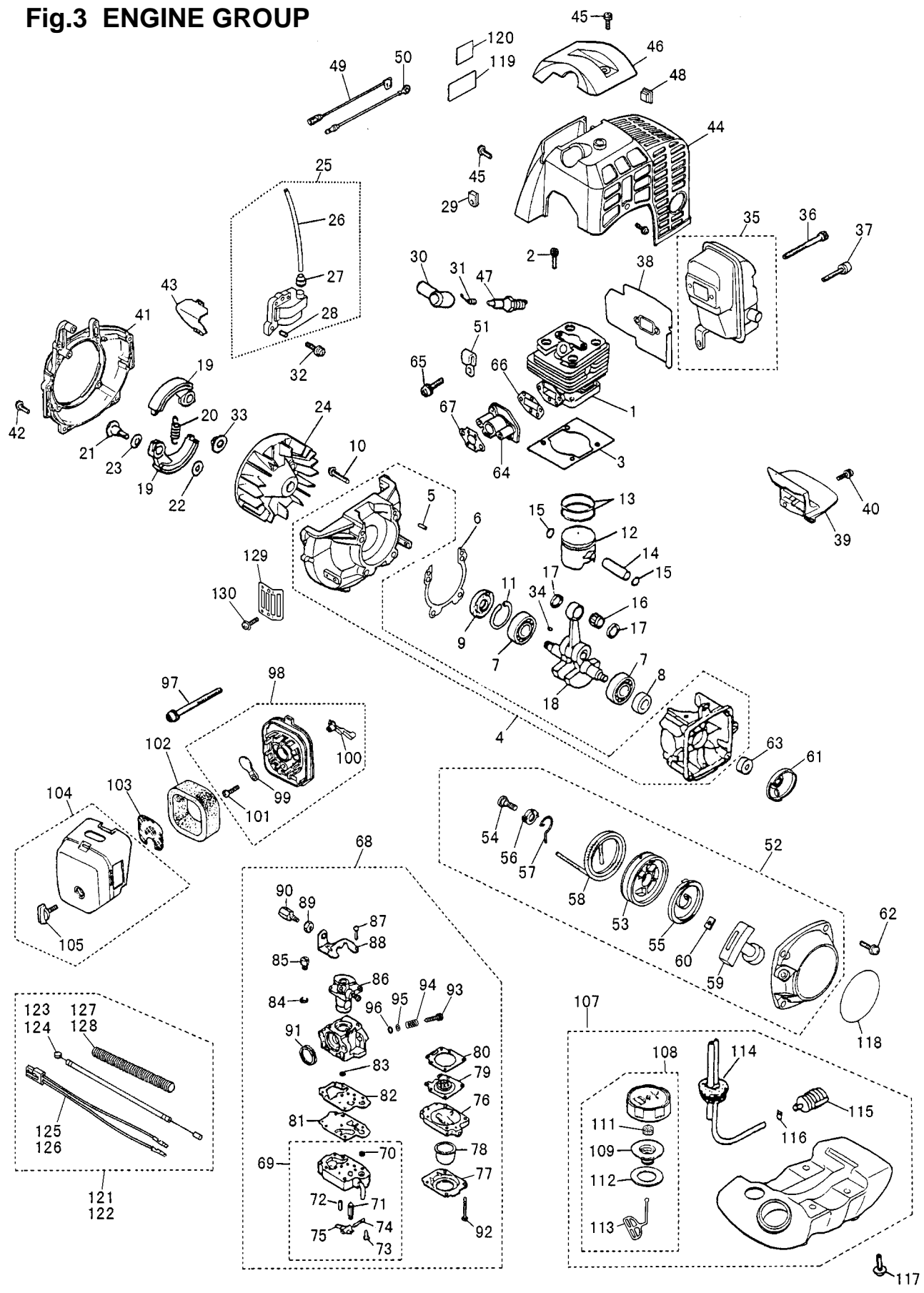


Fig.3 ENGINE GROUP

Key#	PART NUMBER	DESCRIPTION	Q'TY /UNIT	NOTE	Key#	PART NUMBER	DESCRIPTION	Q'TY /UNIT	NOTE
1	4700-12110	CYLINDER	1		66	4700-13150	GASKET, insulator	1	
2	1850-12130	BOLT	4	M5x20	67	4500-13130	GASKET, carburetor	1	
3	4500-13120	GASKET, base	1		68	4700-81001	CARBURETOR ASS'Y	1	WYK-94
4	4500-21101	CRANKCASE COMP.	1		69	1850-81450	• BODY ASS'Y	1	
5	2629-21130	• PIN	3		70	3306-81380	•• SCREEN	1	
6	4500-21140	GASKET, case	1		71	3356-81310	•• VALVE	1	
7	06030-06201	BEARING	2		72	1850-81270	•• SPRING	1	
8	4810-21210	OIL SEAL	1		73	1850-81220	•• SCREW	1	
9	1650-21220	OIL SEAL	1		74	3310-81250	•• PIN	1	
10	01252-30530	BOLT	4	M5x30	75	3310-81230	•• LEVER	1	
11	04065-03212	SNAP RING	1		76	1850-81490	• BODY, purge	1	
12	4700-41110	PISTON	1		77	1850-81520	• COVER, pump	1	
13	1650-41210	RING	2		78	1751-81510	• PUMP, priming	1	
14	1030-41310	PIN	1		79	3310-81260	• DIAPHRAGM	1	
15	1300-41320	RING	2		80	1850-81470	• GASKET, diaphragm	1	
16	T2100-41410	BEARING	1		81	1065-81420	• DIAPHRAGM, pump	1	
17	2850-41510	WASHER	2		82	1065-81410	• GASKET, pump	1	
18	4500-42000	CRANKSHAFT COMP.	1		83	5500-81160	• WASHER	1	
19	4700-51110	SHOE, clutch	2		84	1751-81130	• RING	1	
20	1651-51220	SPRING	1		85	1881-81140	• SWIVEL	1	
21	1200-51211	SCREW	2		86	4700-81150	• VALVE ASS'Y	1	
22	1200-51230	WASHER	2		87	1752-81110	• SCREW	2	
23	1200-51241	WASHER	2		88	5500-81120	• BRACKET	1	
24	4700-71110	ROTOR	1		89	1751-81180	• NUT, adjuster	1	
25	4700-71200	COIL ASS'Y	1		90	5730-81170	• SCREW, adjuster	1	
26	4500-71220	• CORD	1		91	1881-81130	• RING	1	
27	4700-71230	• CAP	1		92	1850-81530	• SCREW	4	
28	4700-71240	• PIN	2		93	1484-81610	• NEEDLE, high	1	
29	5500-72130	GROMMET	1		94	1491-81160	• SPRING	1	
30	5500-72110	CAP, plug	1		95	1881-81190	• WASHER	1	
31	1900-72120	SPRING	1		96	1881-81240	• O-RING	1	
32	4500-72150	BOLT	2	M4x20	97	0263-30550	SCREW	2	
33	1650-43230	NUT	1		98	4500-82100	BODY ASS'Y	1	
34	1000-43240	KEY	1		99	4500-82130	• PLATE, choke	1	
35	4700-15110	MUFFLER ASS'Y	1		100	4500-82140	• LEVER, choke	1	
36	01252-30560	BOLT	2	M5x60	101	2630-33610	• SCREW	1	
37	3310-31720	BOLT	1	M5x14	102	4500-82170	ELEMENT	1	
38	4700-15211	GASKET	1		103	4500-82180	SCREEN	1	
39	4500-15220	PLATE	1		104	4500-82201	COVER ASS'Y	1	
40	0263-90514	SCREW	1		105	5500-82221	• KNOB	1	
41	4700-31110	COVER	1		107	T1013-85002	TANK ASS'Y	1	
42	3310-12281	BOLT	4	M5x20	108	T1015-85202	• CAP ASS'Y	1	
43	4700-31210	PLATE	1		109	4500-85300	•• HOLDER-A	1	
44	4500-32110	COVER	1		111	5601-85260	•• FILTER	1	
45	4500-32120	SCREW	4		112	4500-85220	•• PACKING	1	
46	4500-32210	GUARD	1		113	4820-85260	•• STOPPER	1	
47	5933-73110	SPARKPLUG (Champion)	1	BPMR7A	114	5500-85300	• PIPE COMP.	1	
48	1852-72121	GROMMET	1		115	3302-85400	• FILTER ASS'Y	1	
49	T1006-73220	CORD	1		116	1260-85460	• CLIP	1	
50	T1006-73230	CORD, earth	1		117	1600-86120	SCREW	4	
51	1140-72231	CLAMP	1		118	T1013-75410	LABEL, recoil	1	
52	4500-75100	RECOIL ASS'Y	1		119	1660-31121	LABEL	1	
53	4500-75120	• REEL	1		120	2634-31420	LABEL (CE)	1	
54	4500-75150	• SCREW	1		121	T1013-83000	CABLE ASS'Y	1	DLM
55	1850-75130	• SPRING, spiral	1		122	T1016-83000	CABLE ASS'Y	1	DWM
56	4500-75180	• COLLAR	1		123	T1013-83000	• CABLE	1	DLM
57	4500-75190	• ARM	1		124	5944-83100	• CABLE	1	DWM
58	4500-75160	• ROPE	1		125	2247-73200	• CORD	1	DLM
59	1140-75320	• KNOB	1		126	2249-73200	• CORD	1	DWM
60	5500-75170	• PLATE, stopper	1		127	2319-73310	• TUBE	1	DLM
61	4500-75210	PULLEY	1		128	5944-73310	• TUBE	1	DWM
62	4500-75511	SCREW	4		129	4500-22110	GUARD	1	
63	4700-75310	COLLAR	1		130	0263-90514	SCREW	1	M5x4
64	4500-13161	INSULATOR	1						
65	4500-13181	SCREW	2						