

PARTS LIST

BRUSHCUTTERS

BC2302DLM

APPLICABLE SERIAL NUMBERS:

DRIVE UNIT	600101	and up
ENGINE UNIT	500101	and up

NOVEMBER 1995

Fig.1 CUTTER GROUP

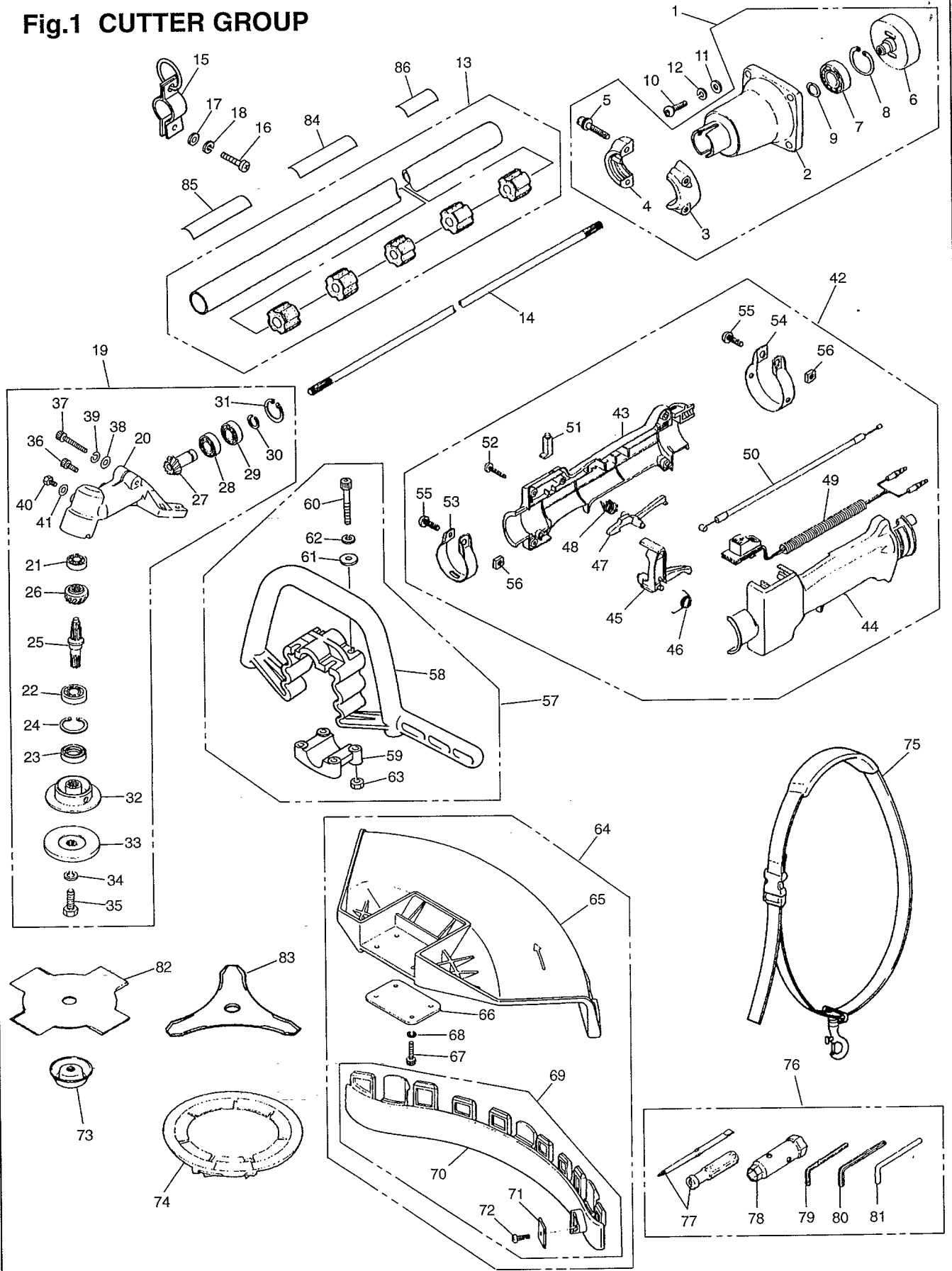


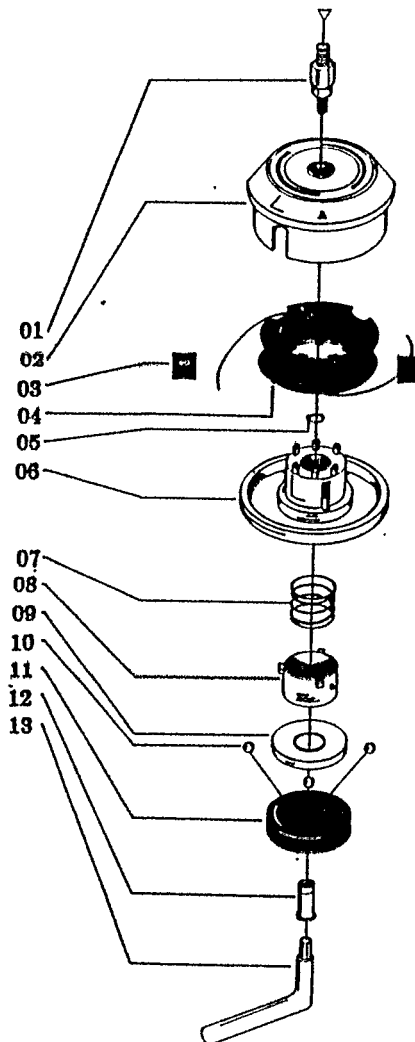
Fig.1 CUTTER GROUP

Key#	PART NUMBER	DESCRIPTION	Q'TY /UNIT	NOTE	Key#	PART NUMBER	DESCRIPTION	Q'TY /UNIT	NOTE
1	6574-11000	HOUSING ASS'Y	1		65	6489-24110	• GUARD	1	
2	6470-11110	• HOUSING COMP	1		66	6489-24120	• PLATE	1	
3	6460-11130	• CLAMP(L)	1		67	6574-24910	• BOLT	4	M5-16
4	6460-11140	• CLAMP(R)	1		68	6574-13970	• WASHER	4	
5	3350-21320	• BOLT	2		69	6489-24200	• PLATE COMP	1	
6	6460-12110	• DRUM	1		70	6489-24210	•• PLATE	1	
7	06004-06001	• BEARING	1		71	6489-24220	•• BLADE	1	
8	04065-02812	• RING	1		72	00277-10412	•• SCREW	1	
9	04064-01210	• RING	1		73	6574-13280	COVER(BOLT)	1	
10	6574-11910	BOLT	4	M6-20	74	6574-15910	COVER(BLADE)	1	
11	6574-13990	WASHER	4		75	6574-17200	STRAP ASS'Y	1	
12	6576-14920	WASHER	4		76	6574-91000	TOOL KIT	1	
13	6574-12100	PIPE COMP	1		77	6574-91110	• DRIVER	1	
14	6574-12210	SHAFT	1		78	6574-91120	• SOCKET	1	
15	6574-17100	HANGER	1		79	09007-00425	• WRENCH	1	
16	6574-17910	SCREW	1	M5-10	80	09007-00528	• WRENCH	1	
17	6574-13960	WASHER	1		81	3540-91110	• BAR	1	
18	6574-13970	WASHER	1		82	6298-14243	SAW	1	
19	6574-13000	GEARCASE ASS'Y	1		83	6298-43290	SAW	1	
20	6574-13110	• GEARCASE	1		84	6574-12510	PLATE NAME	1	
21	6574-13810	• BEARING	1		85	6425-12552	PLATE CAUTION	1	
22	6574-13820	• BEARING	1		86	6574-12590	No. PLATE	1	
23	6574-13130	• SEAL	1						
24	6574-13910	• RING	1						
25	6440-13211	• SHAFT	1						
26	6440-13220	• GEAR	1						
27	6574-13310	• PINION	1						
28	6574-13830	• BEARING	1						
29	6574-13840	• BEARING	1						
30	6574-13920	• RING	1						
31	6574-13930	• RING	1						
32	6423-13240	• HOLDER(A)	1						
33	6574-13250	• HOLDER(B)	1						
34	6574-13290	• WASHER	1						
35	3560-13261	• BOLT	1						
36	6574-13940	• BOLT	1	M5-10					
37	6574-13950	• BOLT	1	M5-30					
38	6574-13960	• WASHER	1						
39	6574-13970	• WASHER	1						
40	6574-13980	• BOLT	1	M6-10					
41	6574-13990	• WASHER	1						
42	6423-11330	GRIP ASS'Y	1						
43	6464-12210	• STAY(R)	1						
44	6464-12220	• STAY(L)	1						
45	6464-12230	• LEVER	1						
46	1638-84170	• SPRING	1						
47	6464-12240	• LEVER	1						
48	1638-84180	• SPRING	1						
49	6423-12230	• SWITCH COMP	1						
50	6423-11390	• CABLE COMP	1						
51	1638-84150	• LOCK	1						
52	1638-84220	• SCREW	4						
53	1638-84160	• CLAMP	1						
54	6464-12250	• CLAMP	1						
55	00263-60620	• SCREW	2						
56	1638-84190	• NUT	2						
57	6574-14000	HANDLE ASS'Y	1						
58	6574-14110	• HANDLE	1						
59	6574-14120	• CLAMP	1						
60	6574-13950	• SCREW	4	M5-30					
61	6574-13960	• WASHER	4						
62	6574-13970	• WASHER	4						
63	6574-14910	• NUT	4						
64	6489-24000	GUARD ASS'Y	1						

Reservedelsliste for Feed-Matic snørehoved

for 'TEXAS' buskryddere

1992/1



Pos.nr.	Best.nr.	Tekst
01	10-101007	Adapter for BC 220
01a	10-101008	Adapter for 340 M
01b	10-101010	Adapter for 431 M
02	10-101061	Spolehus
03	10-106003	Snørestyr
04	10-101030	Spole
05	10-103025	Låsering
06	10-101053	Bund for spolehus
06a	10-201003	Komplet bund pos. 5-12
07	10-107006	Fjeder
08	10-101069	Fjederholder
09	10-101070	Kugleskål
10	10-102073	Stålkugle
11	10-101071	Kugleholder
12	10-101056	Bolt
13	10-109006	Nøgle
14	22007100	Snørehoved for BC 220 7 MM
15	34008125	Snørehoved for 340 M 8 MM
16	43110125	Snørehoved for 431 M 10 MM

Fig.2 ENGINE GROUP

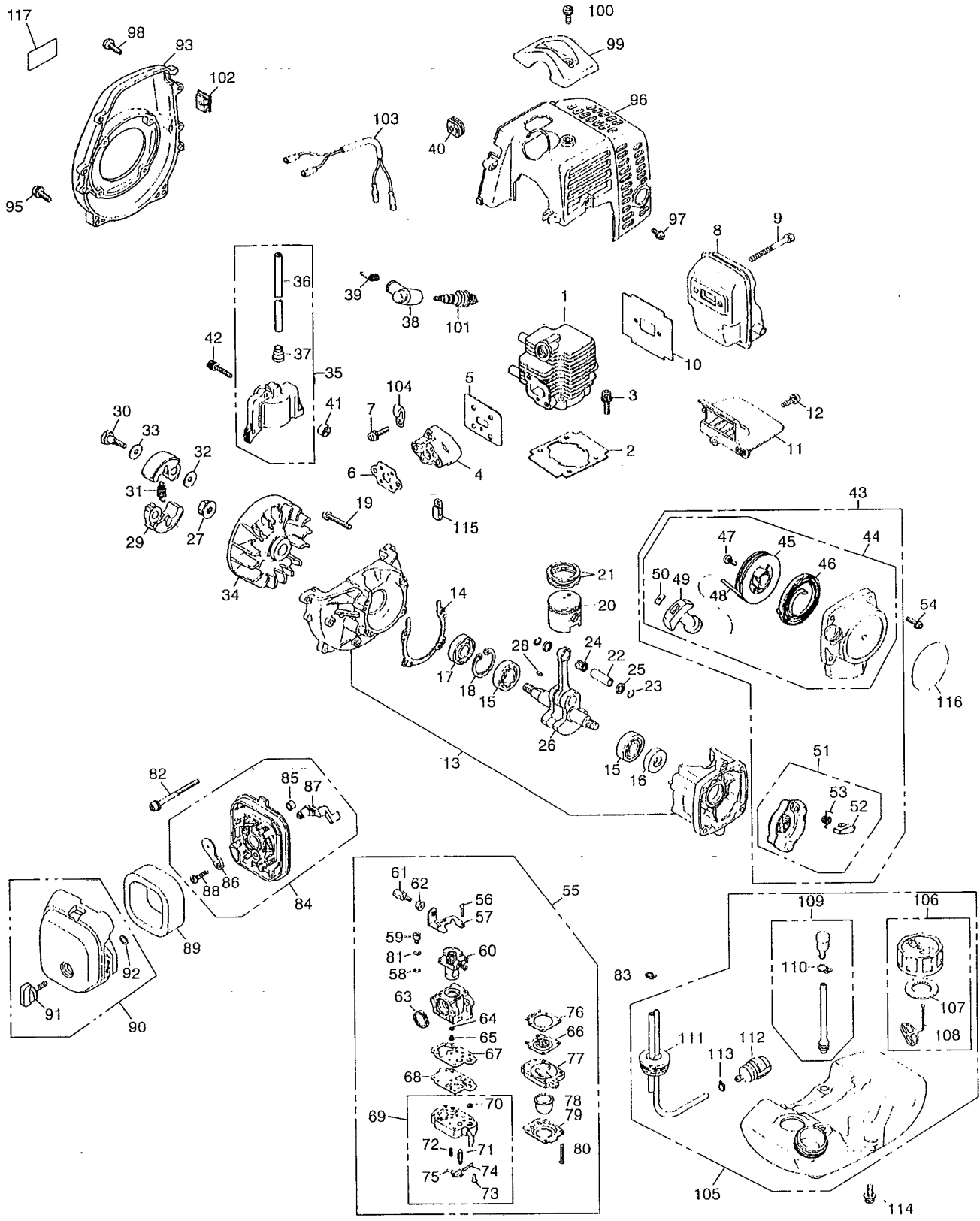


Fig.2 ENGINE GROUP

Key#	PART NUMBER	DESCRIPTION	Q'TY /UNIT	NOTE	Key#	PART NUMBER	DESCRIPTION	Q'TY /UNIT	NOTE
1	5500-12110	CYLINDER	1		65	5500-81251	• JET	1	
2	5500-12211	GASKET	1		66	3310-81260	• DIAPHRAGM, metering	1	
3	1850-12130	BOLT	2		67	1065-81410	• GASKET, pump	1	
4	5500-13161	INSULATOR	1		68	1065-81420	• DIAPHRAGM, pump	1	
5	5500-13120	GASKET	1		69	1850-81450	• BODY ASS'Y	1	
6	5500-13130	GASKET	1		70	3306-81380	•• SCREEN	1	
7	0263-90520	SCREW	2		71	3356-81310	•• VALVE	1	
8	5580-15110	MUFFLER	1		72	1850-81270	•• SPRING	1	
9	01252-30550	BOLT	2		73	1850-81220	•• SCREW	1	
10	5500-15210	GASKET	1		74	3310-81250	•• PIN	1	
11	5500-15220	PLATE	1		75	3310-81230	•• LEVER	1	
12	0263-90416	SCREW	1		76	1850-81470	• GASKET	1	
13	5500-21100	CRANKCASE COMP	1		77	1850-81490	• BODY, purge	1	
14	5500-21140	GASKET	1		78	1751-81510	• PUMP, priming	1	
15	06030-06001	BEARING	2		79	1850-81520	• COVER, pump	1	
16	2169-21210	SEAL	1		80	1850-81530	• SCREW	4	
17	1850-21220	SEAL	1		81	5500-81160	• WASHER	1	
18	04065-02812	RING	1		82	0263-30560	SCREW	2	
19	01252-30530	BOLT	4		83	1950-86120	CLIP	1	
20	5600-41111	PISTON	1		84	5500-82101	BODY ASS'Y	1	
21	1100-41210	RING	2		85	1970-82190	• SLEEVE	2	
22	1101-41310	PIN	1		86	5500-82131	• PLATE	1	
23	1260-41320	RING	2		87	5500-82140	• LEVER	1	
24	1140-41330	BEARING	1		88	2630-33610	• SCREW	1	
25	1101-41340	WASHER	2		89	5500-82171	ELEMENT	1	
26	5500-42001	CRANKSHAFT COMP	1		90	5600-82201	COVER ASS'Y	1	
27	1650-43230	NUT	1		91	5500-82221	• KNOB	1	
28	1000-43240	KEY	1		92	5500-82230	• RING	1	
29	1100-51113	SHOE	2		93	5506-31111	HOUSING ASS'Y	1	
30	1140-51250	SCREW	2		94	-	-	-	
31	1970-51221	SPRING	1		95	0263-90520	SCREW	4	
32	1140-51230	WASHER	2		96	5580-32111	COVER	1	
33	1970-51241	WASHER	2		97	1850-32160	SCREW	1	
34	5500-71110	ROTOR	1		98	1900-31410	SCREW	2	
35	5501-71200	COIL ASS'Y	1		99	5500-32210	GUARD	1	
36	5500-71220	• CORD	1		100	0263-90514	SCREW	1	
37	2616-71320	• CAP	1		101	5535-73110	SPARK PLUG	1	
38	1900-72111	CAP	1		102	1852-72120	GROMMET	1	
39	1900-72120	SPRING	1		103	5500-73201	CORD COMP	1	
40	5500-72130	GROMMET	1		104	1140-72231	CLAMP	1	
41	1260-71261	SPACER	2		105	5504-85001	TANK ASS'Y	1	
42	3310-72150	BOLT	2		106	5504-85201	• CAP ASS'Y	1	
43	5500-75000	STARTER ASS'Y	1		107	5500-85220	•• PACKING	1	
44	5500-75100	• RECOIL ASS'Y	1		108	3317-57242	•• STOPPER	1	
45	1850-75120	•• REEL	1		109	5500-85601	• BREATHER ASS'Y	1	
46	1850-75130	•• SPRING	1		110	1950-86120	•• CLIP	1	
47	1850-75151	•• SCREW	1		111	5500-85300	• PIPE COMP	1	
48	1850-75160	•• ROPE	1		112	5500-85400	• FILTER ASS'Y	1	
49	1140-75320	•• KNOB	1		113	1260-85460	• CLIP	1	
50	5500-75170	•• PLATE	1		114	5500-85510	SCREW	3	
51	1850-75201	• PULLEY ASS'Y	1		115	1140-72231	CLAMP	1	
52	1850-75221	•• RATCHET	1		116	5504-91120	LABEL, recoil	1	
53	1850-75230	•• SPRING	1		117	5504-91130	LABEL, cover	1	
54	0263-90416	SCREW	4						
55	5500-81002	CARBURETOR ASS'Y	1						
56	1752-81110	• SCREW	2						
57	5500-81120	• BRACKET	1						
58	1751-81130	• RING	1						
59	1881-81140	• SWIVEL	1						
60	5500-81153	• VALVE ASS'Y	1						
61	1918-81170	• SCREW	1						
62	1751-81180	• NUT	1						
63	1881-81130	• RING	1						
64	1751-81240	• O-RING	1						