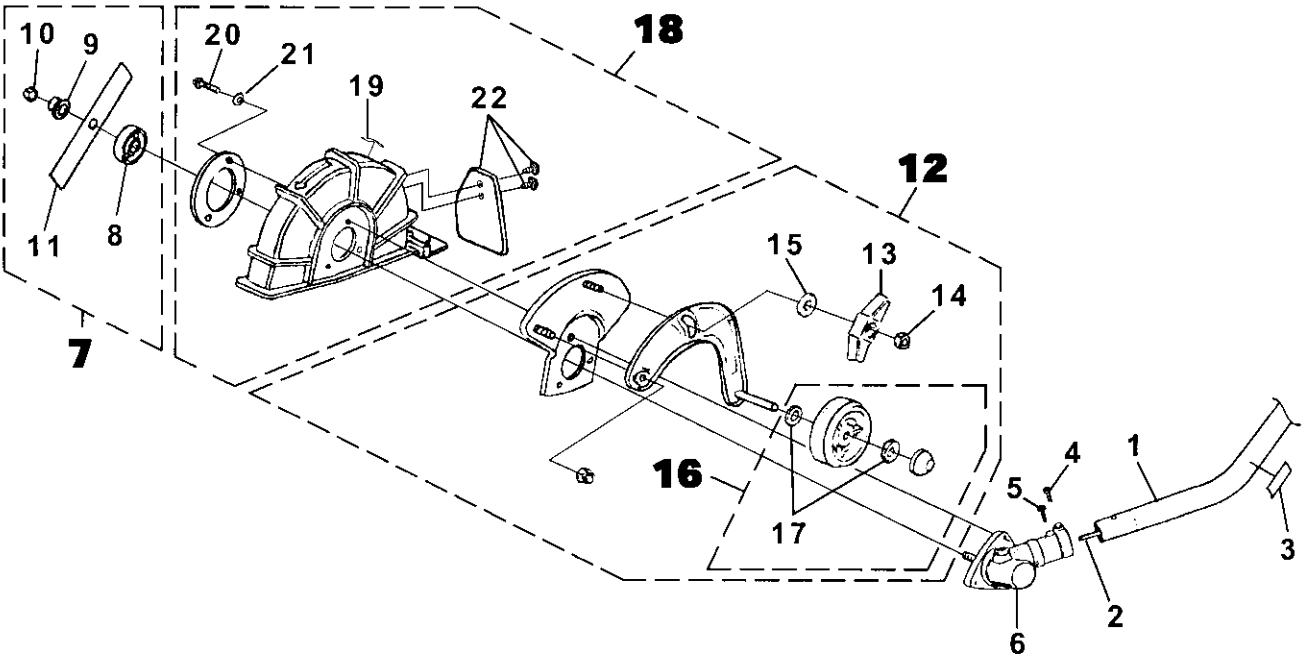


F2040 ..... (UT20791)  
 ST725 ..... (UT15178)

# EDGER ATTACHMENT



No.	Part No.	Description	Qty.
1	UP 03921	DRIVESHAFT HOUSING	1
2	A 07679	SHAFT-Flexible	1
3	UP 04116	DECAL-Warning	1
4	UP 05572	SCREW-Cap Socket Hd. (1/4-20 X 7/8")	1
5	UP 04254	SCREW-Sems Hex Hd. (10-24 X 1/2")	1
6	UP 04124	GEAR HEAD	1
7	A 06281	BLADE KIT	1
8	UP 04126	WASHER-Flanged	1
9	UP 04129	WASHER-Flanged (Lower)	1
10	UP 04127	NUT-Lock	1
11	D 04359 A	BLADE (2" X 9") (Qty.-2)	1
12	A 06280	SUPPORT ARM ASSEMBLY	1
13	UP 04132	KNOB-Adjusting	1
14	UP 03397	NUT-Hex	1
15	UP 04252	WASHER-Flat	1
16	A 06279	WHEEL KIT	1
17	UP 04252	WASHER-Flat	2
18	A 06277 A	GUARD KIT	1
19	UP 04532	DECAL-Warning	1
20	UP 04155	SCREW-Hex Hd. (10-24 X 5/8")	3
21	UP 03411	WASHER-Lock (#10)	3
22	A 06296	FLAP KIT	1

Item No.	Torque Specs		Required Loctite
	In/Lbs	Nm	
4	40-50	4.5-5.6	
5	40-50	4.5-5.6	
10	100-120	11.3-13.6	
20	40-50	4.5-5.6	

Warranty Flat Rate		
Job	Description	Time/Hr.
FN15	Gearhead	.4
JE20	Wheel Assembly	.3
JE26	Wheel/Axle	.3
JR11	Blade Cutter	.3
FN12	Driveshaft	.3
FN13	Driveshaft Hsg.	.3
FN16	Bladeguard	.4