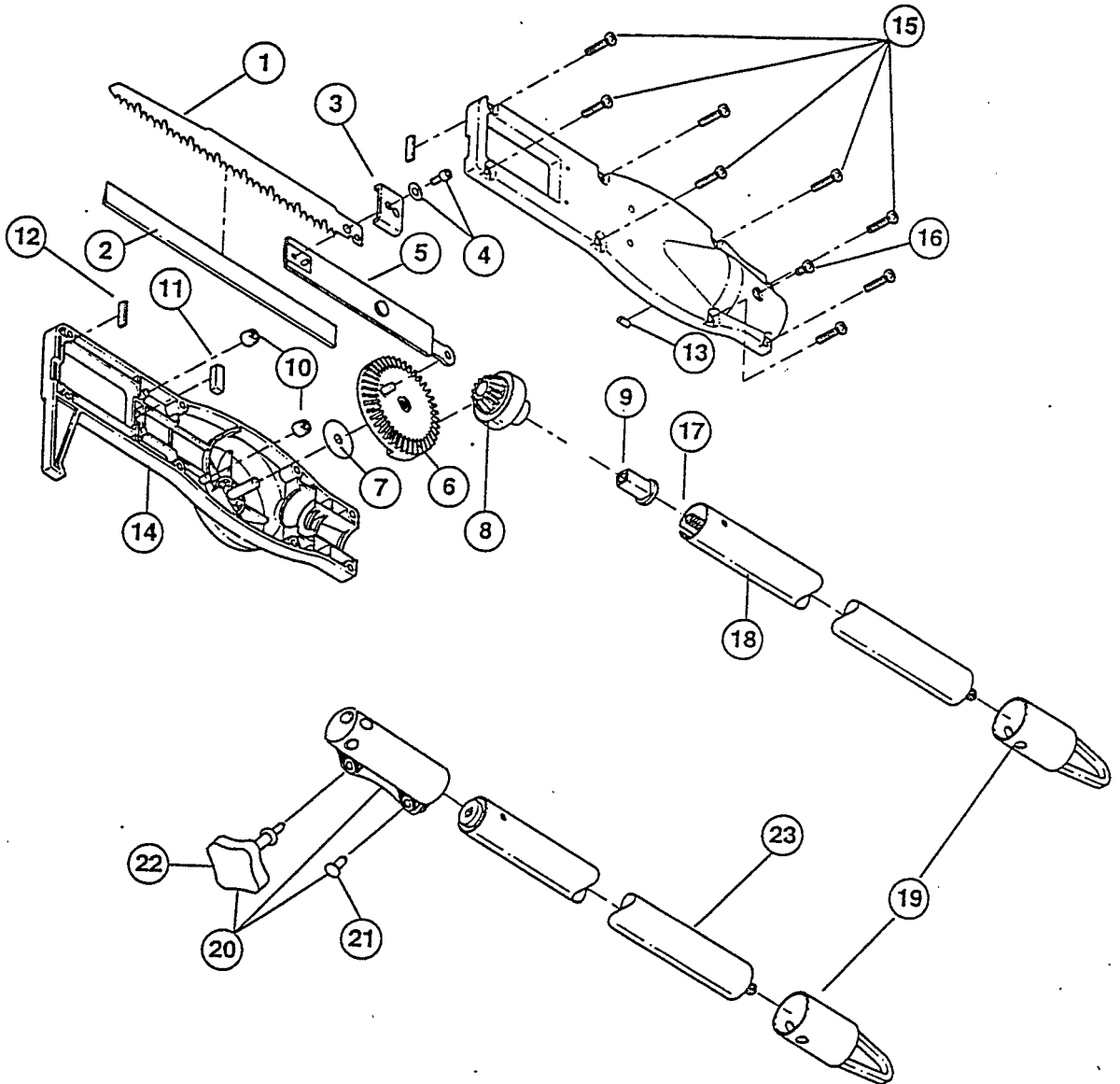


300GP



300GP

Pos	Code	Designation	Description
8	181814	FIXATION INF. TUBE	LOWER HANDLE CLAMP
9	181815	ECROU SUPPORT TUBE	NUT
10	145569	VIS ANTIROTATION	SCREW, ANTI-ROTATION
11	612021	BOUCHON POIGNEE	TUBE CLOSURE
12	612831	POIGNEE CAOUTCHOUC	GRIP, HANDLE NITRILE
13	180687	GUIDON incluant 11.12	J-HANDLE ASSY including 11.12
14	181871	TUBE SUPERIEUR COMPLET	UPPER SHAFT & HOUSING ASSY
15	160511	COQUILLE D'ASSEMBLAGE	CLICK-LINK SYSTEM
16	181617	BOULON	BOLT
17	181618	MOLETTE D'ASSEMBLAGE	ADJUSTMENT KNOB
1	011001	LAME X2	BLADE (2 pack)
2	181153	FOURREAU DE LAME	COVER, TREE PRUNER BLADE
3	181155	SERRE LAME	CLAMP, BLADE
4	181156	VIS SERRAGE DE LAME	ASSY, BLADE CLAMP SCREW & WASHER
5	181874	PLAQUE D'ENGRENAGE	ARBOR ASSY
6	181875	PIGNON	BEVEL GEAR
7	181876	RONDELLE	WASHER
8	181877	PIGNON A QUEUE	PINION BEVEL GEAR
9	181162	BAGUE	INSULATOR, SQUARE
10	181878	ENTRETOISE	SLIDE BUSHING
11	181879	JOINT FEUTRE	FELT SEAL
12	181880	GUIDE	SLIDERS (2pack)
13	181881	CALE CAOUTCHOUC	RUBBER PLUG
14	181882	CARTER MOTEUR	HOUSING SET
15	181345	VIS CARTER MOTEUR	HOUSING SCREW
16	181883	VIS	ANTI ROTATION SCREW
17	181166	FLEXIBLE	ASSY, FLEXIBLE DRIVE SHAFT
18	180689	TUBE	ASSY, LOWER DRIVE SHAFT HOUSING
19	612605	CROCHET DE SUPENSION	HANGER, ACCESSORY
20	160511	COQUILLE D'ASSEMBLAGE	CLICK-LINK SYSTEM
21	181617	BOULON	BOLT
22	181618	MOLETTE D'ASSEMBLAGE	ADJUSTMENT KNOB
23	181161	TUBE ET FLEXIBLE	ASSY, UPPER BOOM & FLEX SHAFT
*	181167	CLE ALLEN	WRENCH, 9/64" ALLEN
*	682075	BANDOULIERE	SHOULDER STRAP