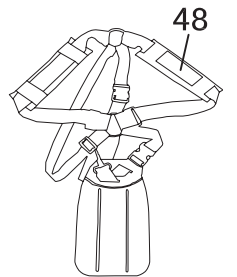
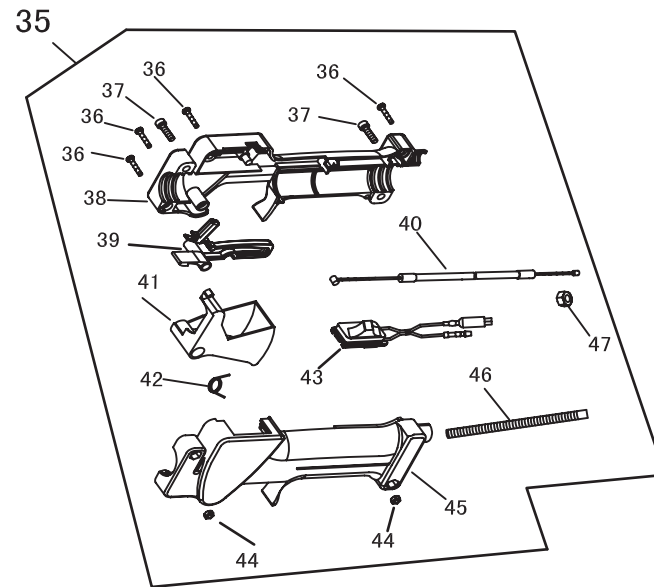
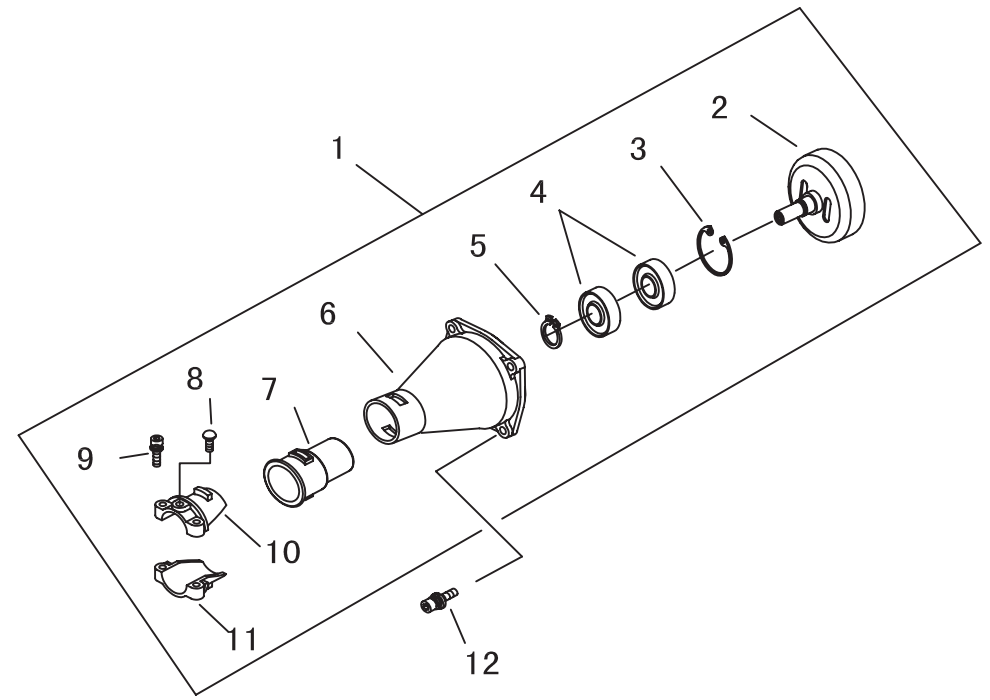
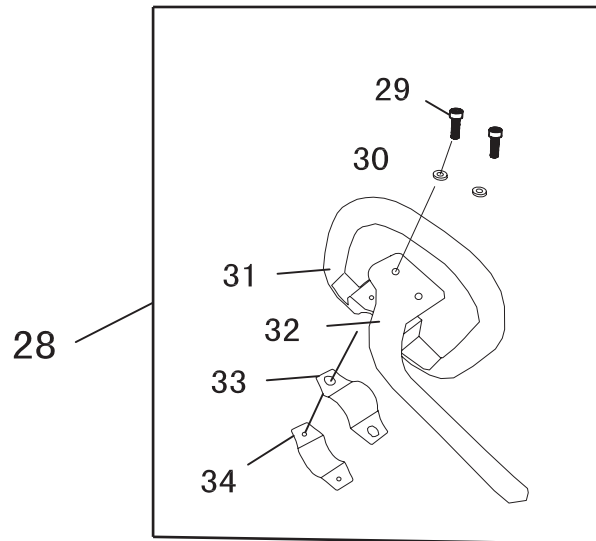
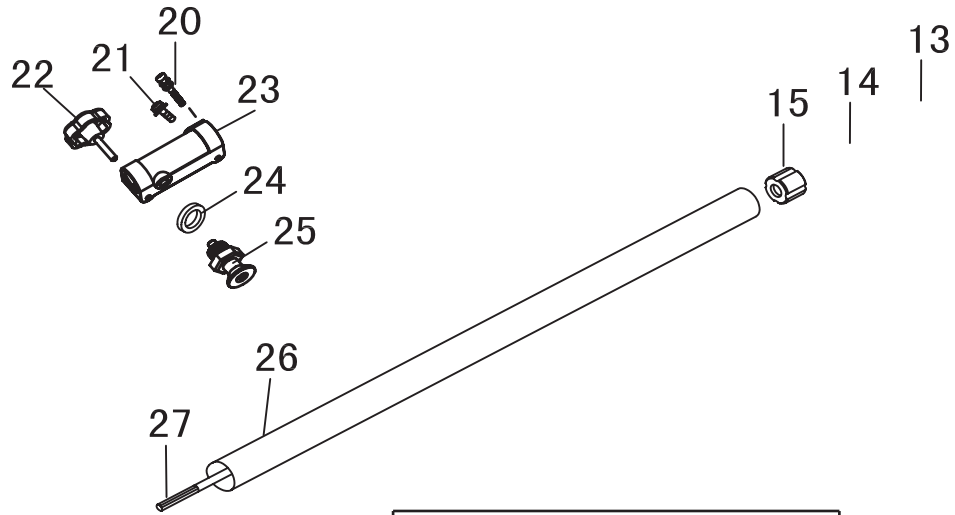
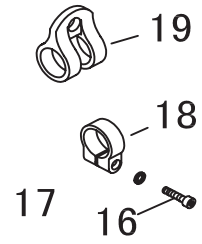


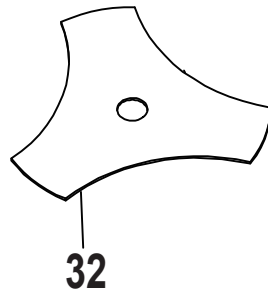
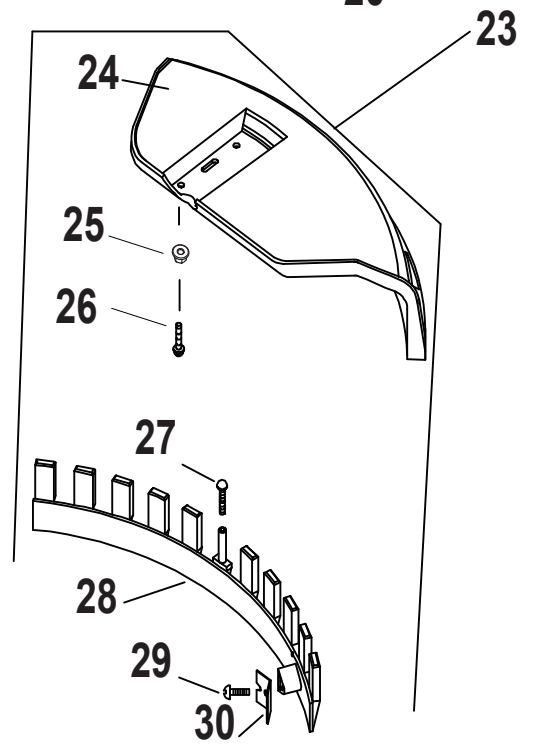
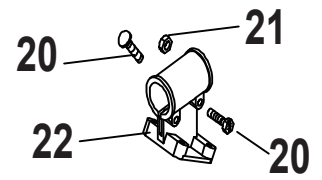
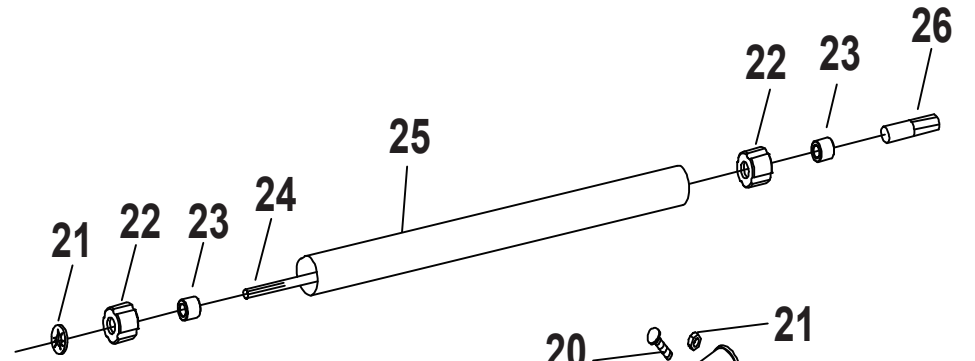
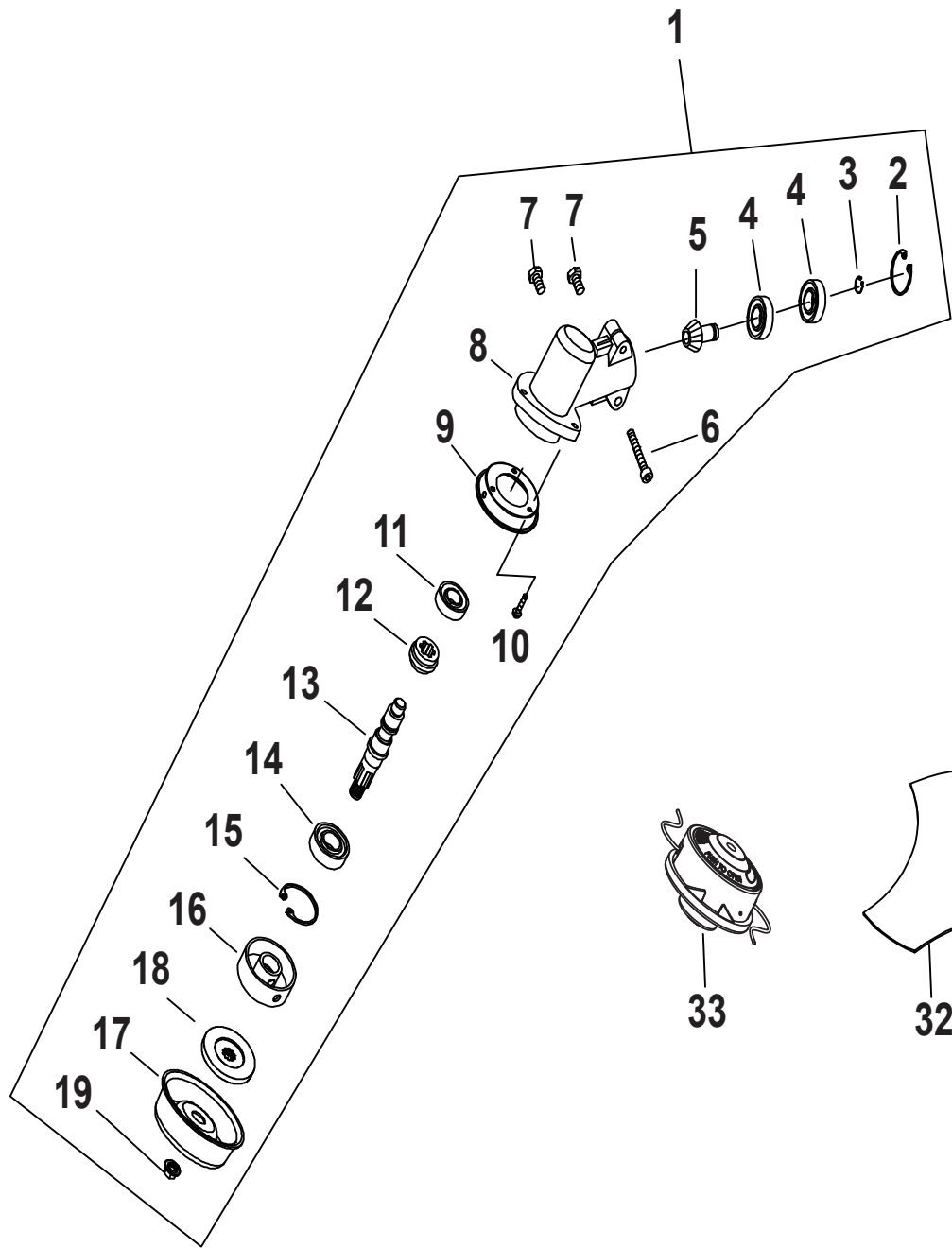
| POS | QTY | PARTNUMBER | BESKRIVELSE | DESCRIPTION |
|-----|-----|------------------|----------------------------------|---------------------------|
| 1 | 1 | 435289 | REKYLSTARTER | STARTER |
| 2 | 1 | 435290 | FUEL FILTER | FUEL FILTER |
| 3 | 1 | 435291 | BRÆNDSTOFSLANGE RETUR | OIL RETURN PIPE |
| 4 | 1 | 435292 | BASE FOR LUFTFILTER | BASE, CLEANER |
| 5 | 1 | 435293 | BRÆNDSTOFSLANGE | OIL INLET PIPE |
| 6 | 3 | 11gb/t90744M5X16 | MASKINSKRUE M5X16 | MACHINE SCREW M5X16 |
| 7 | 1 | 435294 | BRÆNDSTOFTANK | FULE TANK |
| 8 | 1 | 435295 | CAP,FULE TANK | CAP,FULE TANK |
| 9 | 6 | 11gb/T90744M5x20 | MASKINSKRUE SORT 5X20 | MACHINE SCREW 5X20 |
| 10 | 2 | 11gb/T9716 | SKIVE M6 | WASHER M6 |
| 11 | 2 | 11gb/T9716 | SKIVE M6 | WASHER M6 |
| 12 | 1 | 435296 | PAKNING FOR REKYLSTART | STARTER LINER |
| 13 | 3 | 435297 | SKIVE M5X15X1 M5X15 | WASHER?5*15*1 |
| 14 | 1 | 435298 | PAL STARTER | STARTER PULLEY COMP |
| 15 | 1 | 435299 | PLADE | OIL BAFFLE PLATE |
| 16 | 2 | 410015 | SKRUE MED INDV. 6-KT. CYL. M5X55 | ALLEN BOLT M5X55 |
| 17 | 1 | 435300 | LUFTFILTER | AIR FILTER ELEMENT |
| 18 | 1 | 111E36F2 | PAKDÅSE 12X22X7 | OIL SEAL 12X22X7 |
| 19 | 1 | 435301 | FRONT KRUMTAPHUS | FRONT CRANKCASE |
| 20 | 1 | 435302 | PAKNING KRUMTAPHUS | GASKET,CRANKCASE |
| 21 | 2 | 435303 | LEJE | BEARING |
| 22 | 1 | 435304 | KRUPMTAP AKSEL | CRANK SHAFT ASSY |
| 23 | 1 | 435305 | PASFEDER | KEY |
| 24 | 2 | 435306 | PIN | PIN |
| 25 | 1 | 435307 | LUFTFILTER DÆKSEL | COVER, CLEANER |
| 26 | 1 | 435308 | BAG, KRUMPTAPHUS | REAR CRANKCASE |
| 27 | 1 | 96100180 | SKIVE M8 | WASHER |
| 28 | 1 | 96100180 | SKIVE M8 | WASHER |
| 29 | 4 | 90102719 | SÆTBOLT 8.8 M5X30 | SET BOLT M5X30 |
| 30 | 1 | 111E40F-59 | PAKDÅSE 15X30X7 | OIL SEAL 15X30X7 |
| 31 | 1 | 435309 | SVINGHJUL | ROTOR |
| 32 | 1 | 435310 | MØTRIK M8X1.25 M8X1.25 | NUT 8*1.25 |
| 33 | 1 | 435311 | KABEL | WIRE,STOP |
| 34 | 1 | 435312 | TÆNDSPOLE | IGNITION COIL COMP |
| 35 | 1 | 435313 | STIKBEN GUMMI | RUBBER PLUG |
| 36 | 1 | 96100180 | SKIVE M8 | WASHER |
| 37 | 1 | 435314 | SVINGKOBLING | CLUTCH ASSY |
| 38 | 2 | 435315 | BØLJESKIVE M10X14 M10X14 | CORRUGATED GASKET ? 10*14 |
| 39 | 2 | 435316 | AKSEL BOLT | SCREW SHAFT |
| 40 | 1 | 435317 | SVINGJHJUL COVER | FLYWHEEL COVER |
| 41 | 4 | 11gb/T90744M5x20 | MASKINSKRUE SORT 5X20 | MACHINE SCREW 5X20 |
| 42 | 1 | 435318 | NÅLE LEJE | NIDDLE BEARING |
| 43 | 2 | 435319 | LÅSERING | BAFFLE RING |
| 44 | 1 | 435320 | STEMPEL | PISTON |
| 45 | 1 | 435321 | KRYDSPIN | PIN,PISTON |

| POS | QTY | PARTNUMBER | BESKRIVELSE | DESCRIPTION |
|-----|-----|-------------------|---|----------------------|
| 46 | 1 | 404964 | MASKINSKRUE MED RUNDHOVED PH-KÆRV M5X12 | MACHINE SCREW M5X12 |
| 47 | 2 | 435322 | STEMPELRING | RING,PISTON |
| 48 | 1 | 435323 | CYLINDERPAKNING | GASKET,CYLINDER |
| 49 | 1 | 435324 | CYLINDER | CYLINDER |
| 50 | 4 | 11gb/T90744M5x20 | MASKINSKRUE SORT 5X20 | MACHINE SCREW 5X20 |
| 51 | 1 | 435325 | MOTORCOVER | HOUSING |
| 52 | 1 | 10011022 | TÆNDRØR W22MPR-U | SPARK PLUGS W22MPR-U |
| 53 | 1 | 435326 | UDSTØDNINGSPAKNING | GASKET,MUFFLER |
| 54 | 1 | 435327 | UDSTØDNING | MUFFLER |
| 55 | 2 | 90102892 | STÅLBOLT 8.8 M6X55 | STEEL BOLT M6X55 |
| 56 | 1 | 435328 | SKRUEKNAP FOR LUFTFILTERDÆKSEL | KNOB |
| 57 | 1 | 435329 | PAKNING | GASKET,INSULATOR |
| 58 | 1 | 435330 | ISOLATOR | INSULATOR |
| 59 | 2 | 11gb/T907413M5x25 | MASKINSKRUE MED KRYDSKÆRV M5X25 | MACHINE SCREW M5X25 |
| 60 | 1 | 435331 | PAKNING KARBURATOR | GASKET,CARBURETOR |
| 61 | 1 | 435332 | KARBURATOR | CARBURETOR |



| POS | QTY | PARTNUMBER | BESKRIVELSE | DESCRIPTION |
|-------|-----|-----------------------|-------------------------------------|-----------------------|
| 1 | 1 | 435333 | KOBLING KOMPLET | CUTCH COMP |
| 1-2 | 1 | 435334 | KOBLINGSKÅL | CUTCH DURM COM |
| 1-3 | 1 | 422667 | SEEGERRING I35 | RETAINER RING I35 |
| 1-4 | 1 | 401054 | KUGLELEJE 15X35X11 | BALL BEARING 15X35X11 |
| 1-5 | 1 | 435335 | LÅSERING M15 | RETAINING RING 15 |
| 1-6 | 1 | 435336 | KOBLINGHUS | CLUTCH CASE |
| 1-7 | 1 | 435337 | GUMMIKRAVE | RUBBER |
| 1-8 | 1 | 430252 | SKRUE M5X14 | SCREW |
| 1-9 | 2 | 11gb/T907413M5 X25 | MASKINSKRUE MED KRYDSKÆRV M5X25 | MACHINE SCREW M5X25 |
| 1-10 | 1 | 435338 | KRAVE OVERDEL | CLAMP A |
| 1-11 | 1 | 435339 | KRAVE UNDERDEL | CLAMP B |
| 1-12 | 4 | 11GBT701 | INSEX MED CYLINDERHOVED M6X20 FZ | INSEX M6X20 FZ |
| 13 | 1 | 435340 | LÅSESKIVE | LOCKED WASHER |
| 14 | 4 | 435341 | LEJE | OIL-BEARING |
| 15 | 4 | 435342 | GUMMIBØS | RUBBER PIPE |
| 16 | 1 | 11gb/T907413M5 x20 | MASKINSKRUE MED KRYDSKÆRV M5X20 | MACHINE SCREW M5X20 |
| 17 | 1 | 435343 | SKIVE M5 | WASHER 5 |
| 18 | 1 | 435344 | CLAMP | CLAMP |
| 19 | 1 | 435345 | BESLAG FOR SELETØJ | HARNESS CLAMP |
| 20 | 1 | 90100234 | INSEX MED CYLINDERHOVED M6X35 | INSEX M6X35 |
| 21 | 1 | 90122401 | UNBRAKOBOLT M5X12 | ALLEN BOLT M5X12 |
| 22 | 1 | 435346 | FINGERSKRUE | SCREW |
| 23 | 1 | 435347 | KOBLINGSKRAVE | PIPE TIE-IN |
| 24 | 1 | 11gb/t9715 | SKIVE M5 | WASHER M5 |
| 25 | 1 | 435348 | LÅSESTIFT | PIN ASSY |
| 26 | 1 | 435349 | ALU. RØR | PIPE |
| 27 | 1 | 435350 | DRIVAKSEL | SHAFT |
| 28 | 1 | 435351 | HÅNDTAG KOMPLET | HANDLE ASS'Y |
| 28-29 | 2 | 11gb907413M5x 35 | MASKINSKRUE MED KRYDSKÆRV M5X35 | MACHINE SCREW M5X35 |
| 28-30 | 2 | 435352 | SKIVE | WASHER 5 |
| 28-31 | 1 | 435353 | BØJLEHÅNDTAG | HANDLE |
| 28-32 | 1 | 435354 | HÅNDTAG | HANDLE COVER |
| 28-33 | 1 | 435355 | BESLAG FOR HÅNDTAG | HOLDER A |
| 28-34 | 1 | 435356 | BESLAG FOR HÅNDTAG | HOLDER B |
| 35-35 | 1 | 435357 | GASHÅNDTAG KOMPLET | LEVER ASS'Y |
| 35-36 | 4 | 435358 | SKRUE M4X19 M4X19 | SCREW M4X19 |
| 35-37 | 2 | 11gb/T90744M5x 20 | MASKINSKRUE SORT 5X20 | MACHINE SCREW 5X20 |
| 35-38 | 1 | 435359 | GASGREB HØJRE COVER | BOX,RIGHT |
| 35-39 | 1 | 435360 | SIKKEREHEDSKNAP | SAFETY LEVER |
| 35-40 | 1 | 435361 | GASKABEL | CABLE COMP. |
| 35-41 | 1 | 435362 | GASAKTIVERING | THROTTLE LEVER |
| 35-42 | 1 | 435363 | FJEDER | SPRING |
| 35-43 | 1 | 435364 | STOP KNAP | STOP SWITCH |
| 35-44 | 2 | 90100690 | LÅSEMØTRIK M5 | LOCKING NUT M5 |
| 35-45 | 1 | 435365 | GASGREB VENSTRE COVER | BOX,LEFT |
| 35-46 | 1 | 435366 | KABEL BESKYTTELSE | TUBE |

| POS | QTY | PARTNUMBER | BESKRIVELSE | DESCRIPTION |
|-------|-----|------------|--------------|---------------|
| 35-47 | 2 | 90100661 | MØTRIK M6 | NUT M6 |
| 48 | 1 | 435367 | TRIMMER SELE | HARNESS ASS'Y |



| POS | QTY | PARTNUMBER | BESKRIVELSE | DESCRIPTION |
|-------|-----|-------------------------|---|--------------------------------|
| 1-1 | 1 | 435368 | VINKELGEAR KOMPLET | GEAR CASE ASSY |
| 1-2 | 1 | 90102496 | SEEGERRING SORT U 26 | RETAINER RING U 26 |
| 1-3 | 1 | 90102480 | SEEGERRING SORT U 10 | RETAINER RING U 10 |
| 1-4 | 2 | 11gb/t27660002r s/p5 | KUGLELEJE 26X10X8 | BALL BEARING 26X10X8 |
| 1-5 | 1 | 435369 | SPIDSHJUL | PINION |
| 1-6 | 1 | 11gb/T907413M5 X25 | MASKINSKRUE MED KRYDSKÆRV M5X25 | MACHINE SCREW M5X25 |
| 1-7 | 2 | 90102722 | SÆTBOLT 8.8 M6X12 | SET BOLT M6X12 |
| 1-8 | 1 | 435370 | GEARHUS | GEAR CASE |
| 1-9 | 1 | 435371 | COVER | COVER |
| 1-10 | 3 | 90122401 | UNBRAKOBOLT M5X12 | ALLEN BOLT M5X12 |
| 1-11 | 1 | 11gb/t27660002r s/p5 | KUGLELEJE 26X10X8 | BALL BEARING 26X10X8 |
| 1-12 | 1 | 435372 | GEAR | GEAR |
| 1-13 | 1 | 435373 | AKSEL | SPLINE SHAFT |
| 1-14 | 1 | 90200218 | KUGLELEJE 15X32X9 | BALL BEARING 15X32X9 |
| 1-15 | 1 | 435374 | LÅSERING | RETAINING RING GB/T893.1 32 |
| 1-16 | 1 | 435375 | HOLDER | CUTTER HOLDER |
| 1-17 | 1 | 437472 | KNIV SKJOLD | BLADE COVER |
| 1-18 | 1 | 437471 | KNIV HOLDER | BLADE HOLDER |
| 1-19 | 1 | 423925 | MØTRIK LINKS M10L | NUT M10L |
| 20 | 2 | 90102729 | SÆTBOLT M6X20 | SET BOLT M6X20 |
| 21 | 2 | 11GB/T9716 | SKIVE M6 | WASHER M6 |
| 22 | 1 | 435377 | HOLDER FOR BESKYTTELSESKÆRM | HOLDER FOR GUARD |
| 23 | 1 | 435378 | BESKYTTELSESKÆRM KOMPLET | SAFETY GUARD ASS'Y |
| 23-24 | 2 | 435379 | BESKYTTELSESKÆRM | SAFETY GUARD |
| 23-25 | 4 | 11GB292 | MASKINSKRUE MED KRYDSKÆRV M5X35 | MACHINE SCREW M5X35 |
| 23-26 | 4 | 11gb/t9715 | SKIVE M5 | WASHER M5 |
| 23-27 | 1 | 435380 | SKRUE M4.2X22 M4.2X22 | SCREW M4.2X22 |
| 23-28 | 1 | 435381 | SIKKERHEDSKANT | BLADE FRAME |
| 23-29 | 2 | 296028 | PLADESKRUE MED SPIDS M4.2X13 | PLATE SCREW M4.2X13 |
| 23-30 | 1 | 435382 | KNIV | BLADE |
| 32 | 1 | 5603-250 | 3-TANDSKLINGE HUL 25,4 MM.T. 1,4MM | 3-TOOTH BLADE |
| 33 | 1 | 430330 | TRIMMERHOVED UNIVERSAL 10X1,25 LINKS | TRIMMER HEAD |

1



2

3 4 5



| POS | QTY | PARTNUMBER | BESKRIVELSE | DESCRIPTION |
|-----|-----|------------|---------------------------------------|---------------------|
| 1 | 1 | 435383 | HÆKKEKLIPPER ENHED KOMPLET | HEDGE TRIMMER |
| 2 | 1 | 435384 | SAVENHED KOMPLET | POLE PRUNERS |
| 3 | 1 | 427123 | MOTORSAVSSVÆRD OREGON 10" | "10"" BAR OREGON" |
| 4 | 1 | 427124 | MOTORSAVSKÆDE OREGON" 10" 40 LED | "10"" CHAIN OREGON" |
| 5 | 1 | 427125 | BESKYTTELSE TIL MOTORSAVSSVÆRD 10" | GUARD 10" |