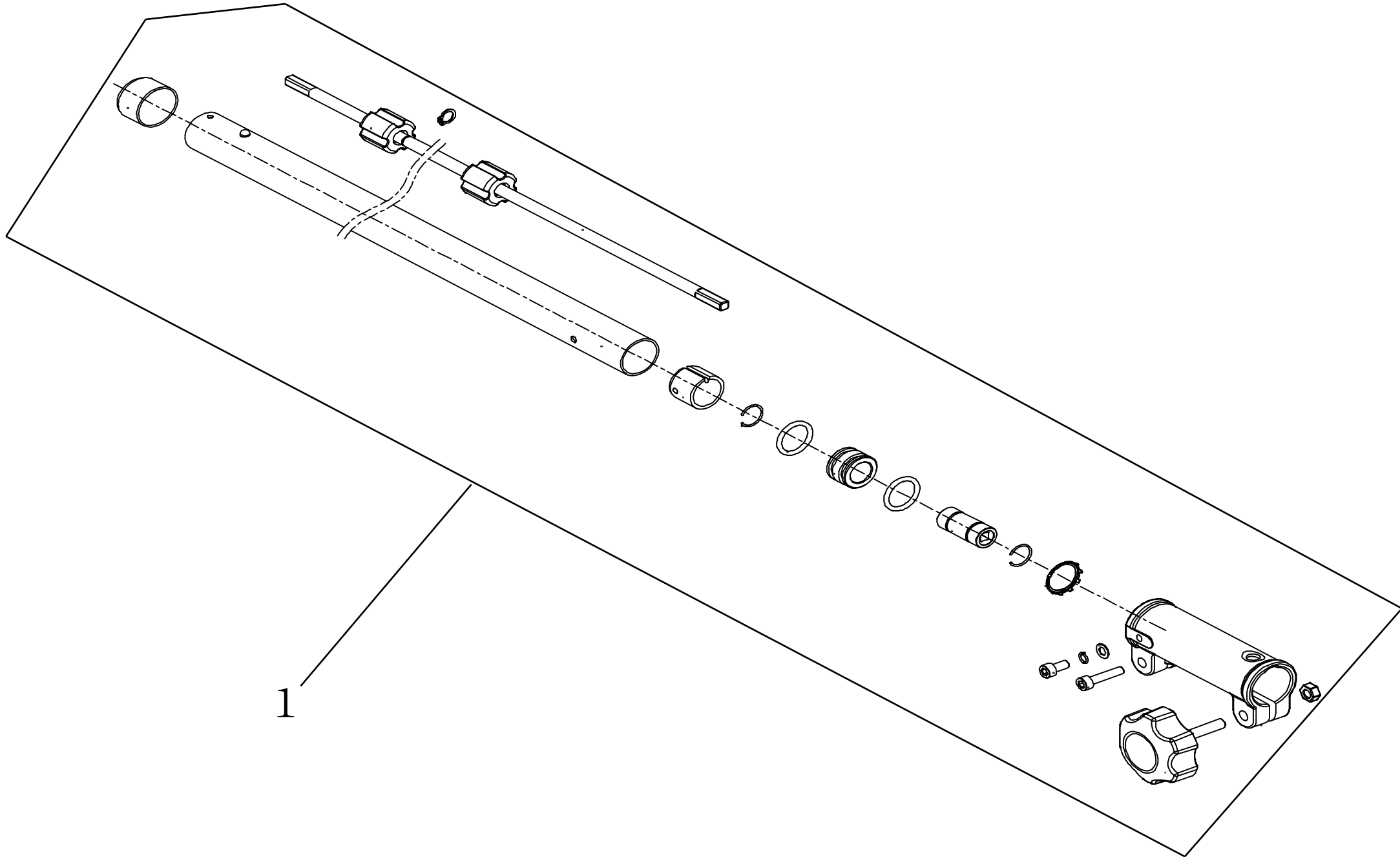
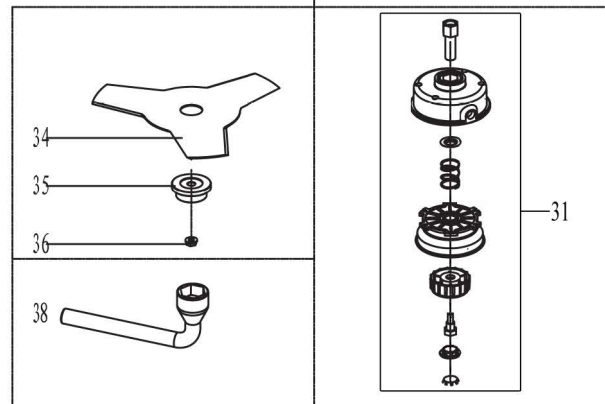
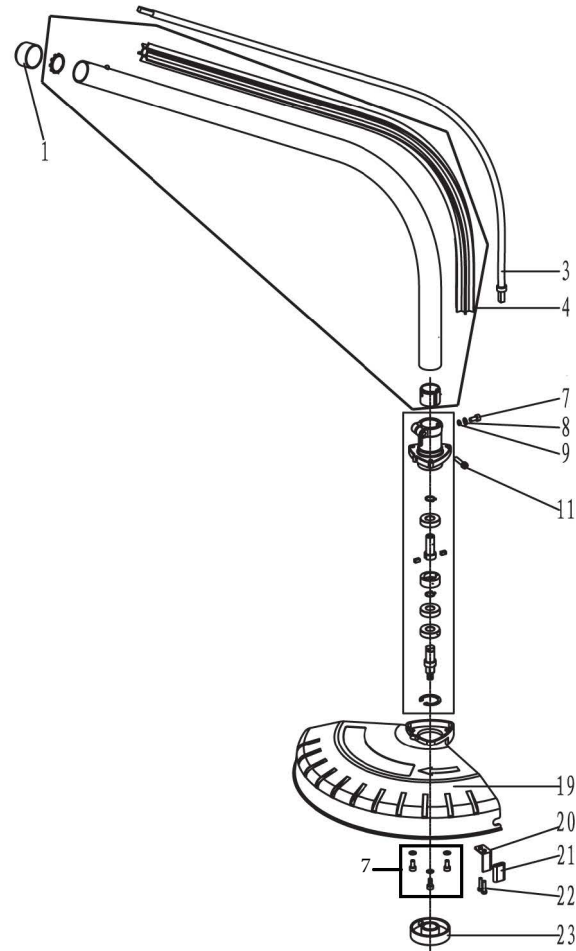


POS	QTY	PARTNUMBER	BESKRIVELSE	DESCRIPTION
1	1	433895	DREJBAR PLASTCOVER	ROTATING HEAD
2	19	433896	STJERNEKÆRV PAN SKRUE ST4x16	CROSS RECESSED PAN HEAD TAPPING SCREWS
3	1	433897	HØJRE PLAST CHASSIS	RIGHT CHASSIS
4	2	433896	STJERNEKÆRV PAN SKRUE ST4x16	CROSS RECESSED PAN HEAD TAPPING SCREWS
5	1	433898	DEKORATIONS PLASTCOVER HØJRE	DECORATIVE BLOCK(RIGHT)
6	1	433899	MOTOR KOMPLET 607	ENGINE ASS.
12	1	433900	FRONT BESLAG MOTOR KOMPLET	MOTOR FRONT BRACKET ASS.
17	1	433901	RIGRØR KOMPLET	TUBE ASS.
27	1	433902	BOLT M5x12	HEXAGON SOCKET HEAD CAP SCREW
28	1	433903	LÅSERING 5	SINGLE COIL SPRING LOCK WASHER
29	1	433904	SKIVE 5	PLAIN WASHER
30	4	433902	BOLT M5x12	HEXAGON SOCKET HEAD CAP SCREW
31	1	433905	RIGRØRS KOBLING	PIPE JOINT
32	2	433906	LÅSEHÅNDTAG	PIPE JOINT LOCKING KNOB
33	1	433907	MØTRIK M6 M6	HEXAGON NUT
34	2	433908	HÅNDTAG KOMPLET	HANDLE ASS.
42	1	433909	STROP SPÆNDE	STRAP BUCKLE
43	1	433910	STROP LÅS	STRAP BUCKLE LOCK
44	1	433911	QUICK RELEASE BÆRESTROP	QUICK RELEASE STRAPS
46	1	433912	ELEKTRISK KOMPONENT TNS3TH 0.22H	ELECTRIC CAPACITY
47	3	433913	UDLØSER FJEDER	TRIGGER SPRING
48	1	433914	LÅS FOR UDLØSER	TRIGGER LOCK
49	1	433915	UDLØSER	TRIGGER
52	1	433916	KRONMUFFE	TERMINAL POST
53	1	433917	KABEL STRAMMER	CABLE PLATEN
54	1	433918	KABEL BESKYTTELSE	CABLE SHEATH
55	1	433919	UMBRACO NØGLE M5 M5-S4	ALLEN KEY
56	1	433920	FORLÆNGERLEDNINGSHOLD ER	LINE CLIP
57	1	433921	STRØMSTIK 0.75MM2	CABLE PLUG
58	1	433922	DEKORATIV COVER VENSTRE	DECORATIVE BLOCK(LEFT)
60	1	433923	TRYKKNAP FOR DREJELIGT HÅNDTAG	ROTARY PUSH BUTTON
60-1	1	433924	DREJE LÅS	ROTATION LOCK

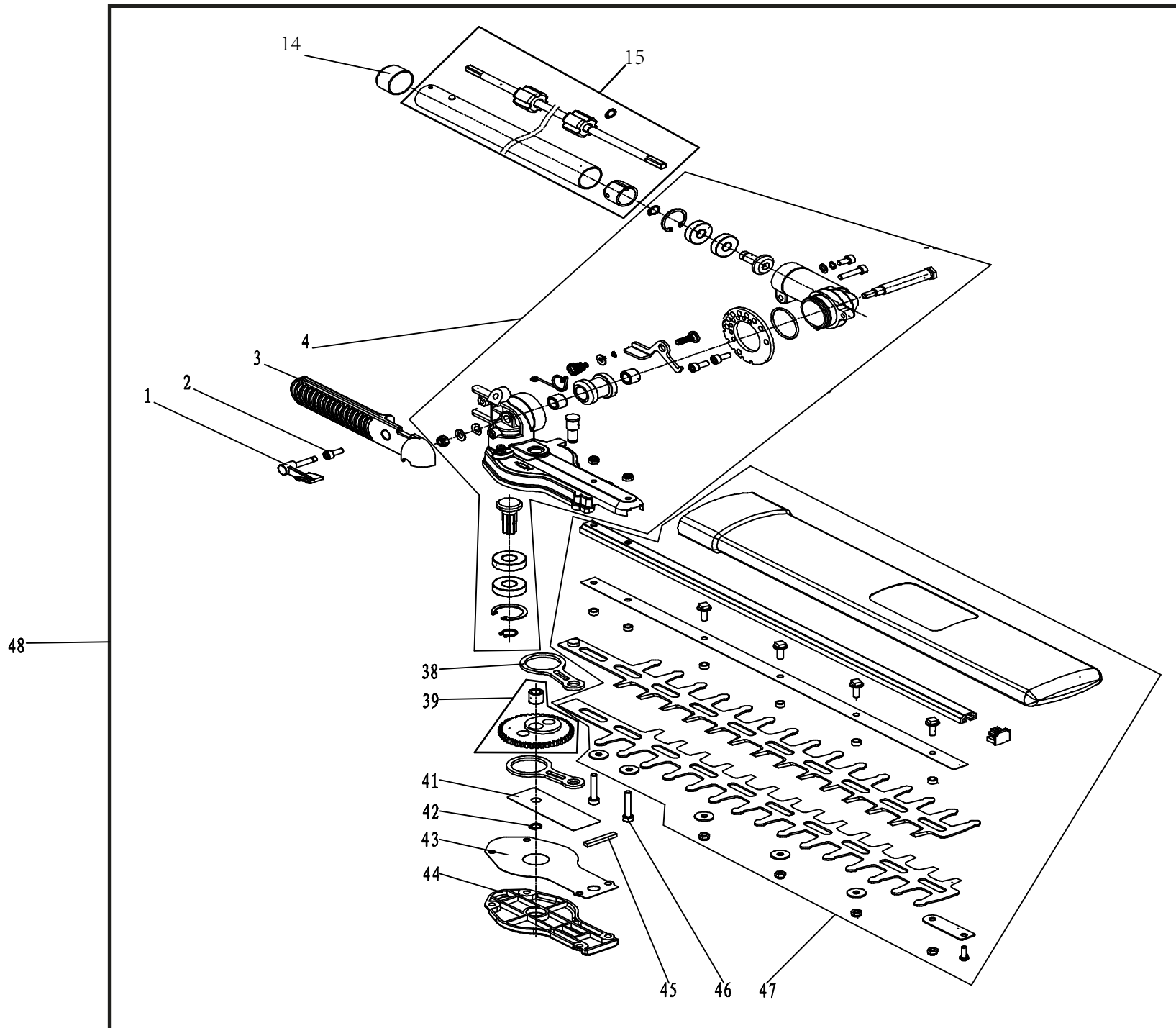


1

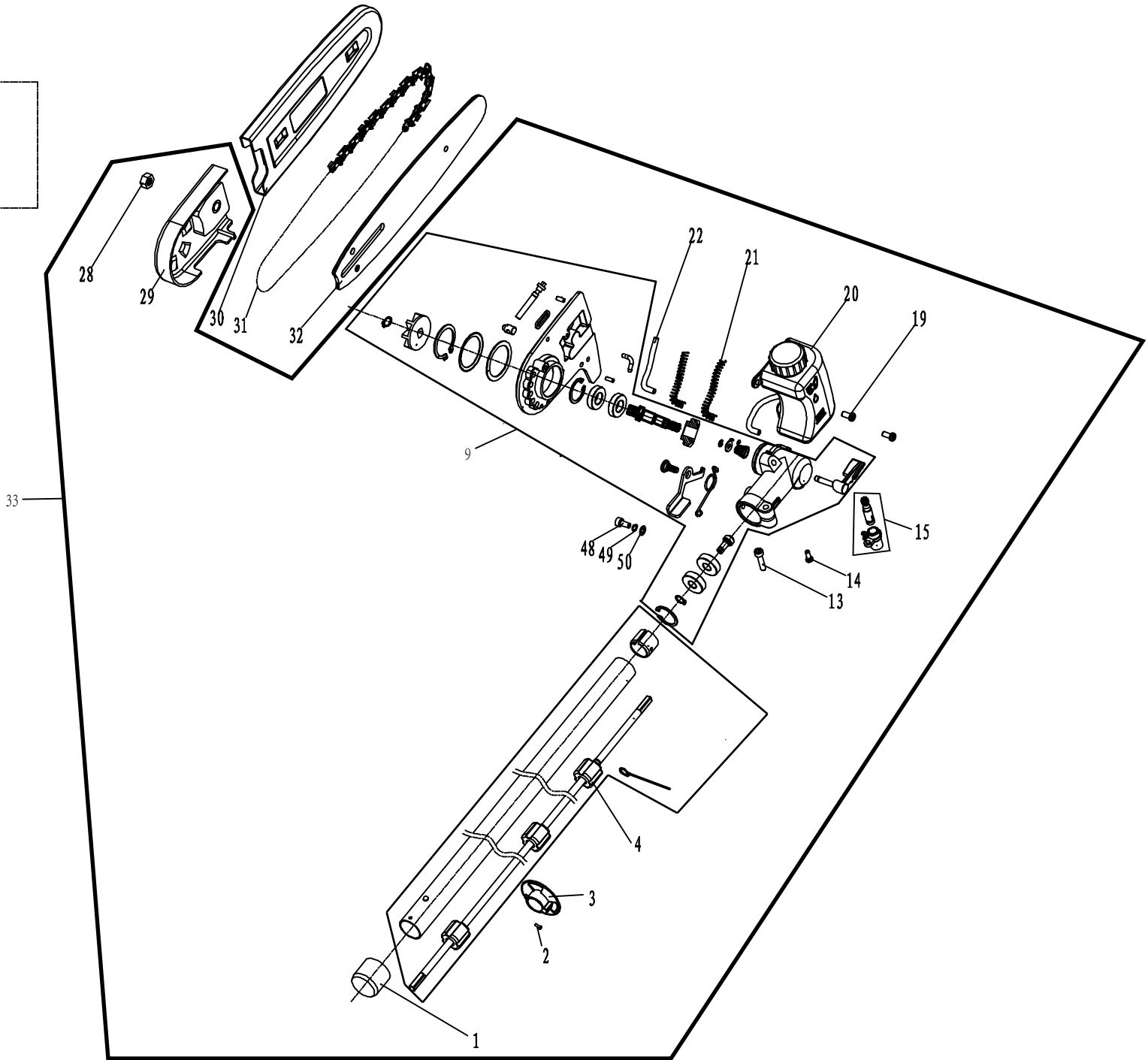
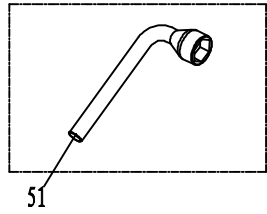
POS	QTY	PARTNUMBER	BESKRIVELSE	DESCRIPTION
1	1	433925	FORLÆNGERRØR KOMPLET	EXTENSION SHAFT



POS	QTY	PARTNUMBER	BESKRIVELSE	DESCRIPTION
1	1	433926	PLASTRING	PIPE SLEEVE
2	1	433927	RIGRØR	TUBE
3	1	433928	FLEXIBEL DRIV AKSEL	FLEXIBLE DRIVE SHAFT
7	4	433902	BOLT M5x12	HEXAGON SOCKET HEAD CAP SCREW
8	4	433904	SKIVE 5	PLAIN WASHER
9	1	433903	LÅSERING 5	SINGLE COIL SPRING LOCK WASHER
10	1	433929	GEARHOVED KOMPLET	GEAR ASS.
11	1	433902	BOLT M5x12	HEXAGON SOCKET HEAD CAP SCREW
19	1	433930	BESKYTTELSESKÆRM	SHIELD
20	1	433931	KNIV	CUT LINE BLADE
21	1	433932	BESKYTTER 12X16X28	HOLDER
22	2	433896	STJERNEKÆRV PAN SKRUE ST4x16	CROSS RECESSED PAN HEAD TAPPING SCREWS
23	1	433933	SKÅL	PLYWOOD
31	1	433936	KOMPLET TRIMMERHOVED	LINE PACKAGE COVER
34	1	419029	3-TANDSKLINGE	BLADE
35	1	433937	SKIVE FOR KNIV	UNDER SPLINT
36	1	433938	MØTRIK M8 M8	HEXAGON NUTS WITH FLANGE
38	1	433939	VÆRKTØJ S=13	L-TYPE SOCKET WRENCH



POS	QTY	PARTNUMBER	BESKRIVELSE	DESCRIPTION
1	1	433940	PIN	INSERT PIN
2	8	433902	BOLT M5×12	HEXAGON SOCKET HEAD CAP SCREW
3	1	433941	JUSTERBAR HÅNDTAG	SEGMENT HANDLE
4	1	433942	GEARHOVED KOMPLET	GEAR ASS.
14	1	433926	PLASTRING	PIPE SLEEVE
15	1	433943	RØR KOMPLET	TUBE ASS.
38	2	433944	PLEJLSTANG	TRANSMISSION LINK
39	1	433945	TANDHJUL FOR KNIV MED LEJE	GEAR WITH BEARING
41	2	433946	PLADE	THIN PLATE
42	1	433947	LÅSERING M8 8	CIRCLIPS FOR SHAFT
43	1	433948	PAKNING	SEALING PLATE
44	1	433949	GEARKASSE UNDERDEL	GEAR BOTTOM COVER
45	1	433950	PAKNING	SEALING GLAZE SPONGE
46	2	433902	BOLT M5×12	HEXAGON SOCKET HEAD CAP SCREW
47	6	433951	KNIVSÆT KOMPLET	KNIFE ASS.
48	1	436626	KPL. HÆKKEKLIPPER-DEL	HEDGE TRIMMER WORKING HEAD



POS	QTY	PARTNUMBER	BESKRIVELSE	DESCRIPTION
1	1	433926	PLASTRING	PIPE SLEEVE
2	1	433896	STJERNEKÆRV PAN SKRUE ST4×16	CROSS RECESSED PAN HEAD TAPPING SCREWS
3	1	433952	HÅNDBESKYTTER	HANDGUARDS
4	3	433953	RIGRØR KOMPLET	TUBE ASS.
9	2	433954	GEARHOVED KOMPLET 24	GEAR ASS.
13	1	433902	BOLT M5×12	HEXAGON SOCKET HEAD CAP SCREW
14	1	433955	SKRUE M4*10	PAN HEAD SCREWS WITH CROSS RECESS
15	1	433956	OLIEPUMPE	OLIPUMP
19	2	433955	SKRUE M4*10	PAN HEAD SCREWS WITH CROSS RECESS
20	1	433957	OLIETANK	OIL TANK ASSEMBLY
21	2	433958	RØRBESKYTTELSE	GUARD PIPE SPRING
22	1	433959	SLANGE 5X3.4X70	INLET PIPE
28	1	433938	MØTRIK M8 M8	HEXAGON NUTS WITH FLANGE
29	1	433960	KÆDEDREVSDÆKSEL	GUIDE PLATE COVER
30	1	433961	SVÆRDBESKYTTER	CHAIN SAW SCABBARD
31	1	433962	SAVKÆDE 3/8-36-0.05	SAW CHAIN
32	1	433963	SVÆRD AP08-36-507P	GUIDE BAR
33	1	436627	KPL. KÆDESAVS-DEL U/SVÆRD-KÆDE	CHAIN SAW WORKING HEAD
48	1	433902	BOLT M5×12	HEXAGON SOCKET HEAD CAP SCREW
49	1	433903	LÅSERING 5	SINGLE COIL SPRING LOCK WASHER
50	1	433964	SKIVE 5	PLAIN WASHER
51	1	433965	VÆRKTØJ S=13	L-TYPE SOCKET WRENCH