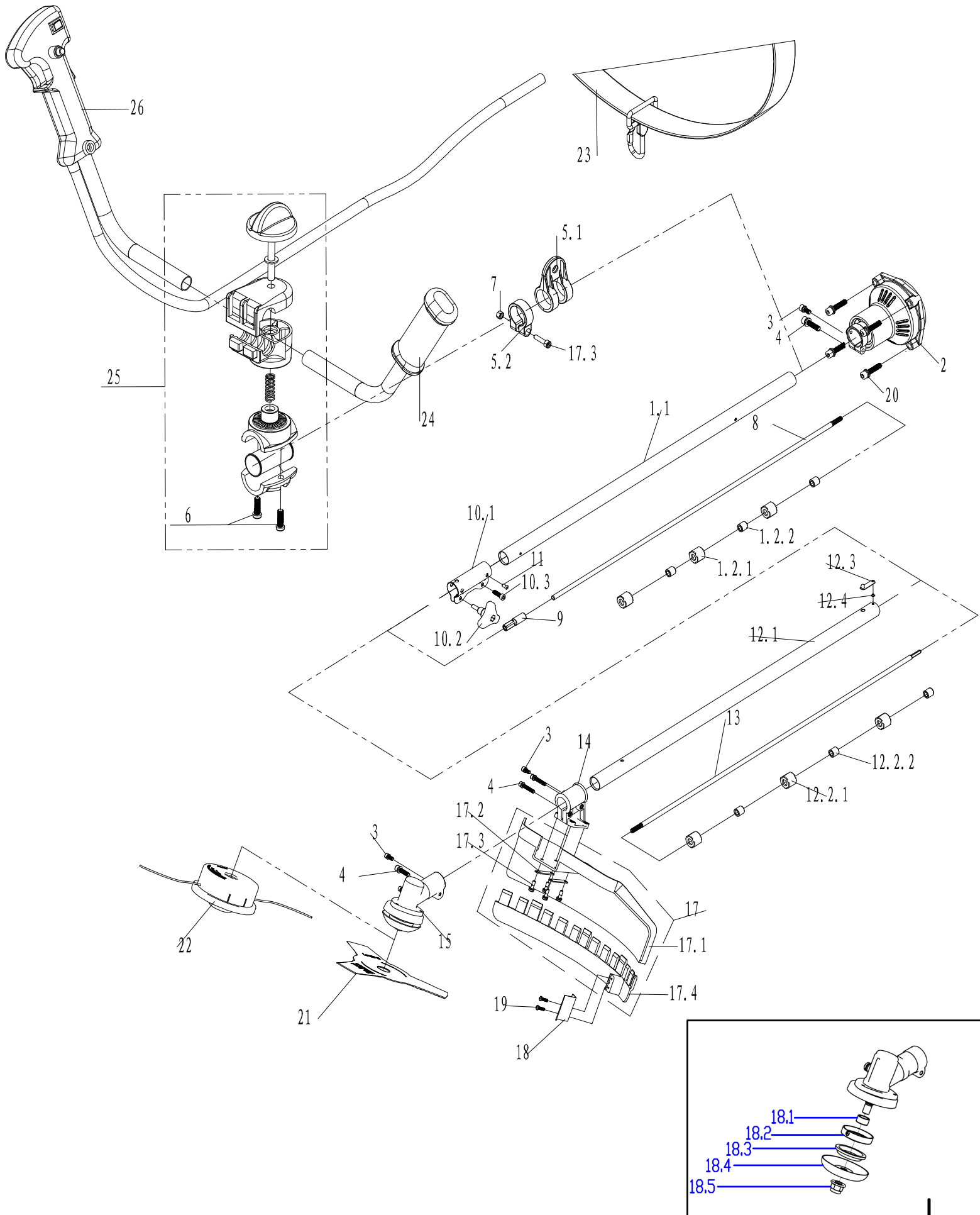


POS	QTY	PARTNUMBER	BESKRIVELSE	DESCRIPTION
1	2	423190	BOLT	SCREW AXES
2	2	423191	BØLGESKIVE 0.3X10.2X14.4	WAVE WASHER0.3X10.2X14.4
3	1	423192	KOBLING BCU33	CLUTCH
4	2	423193	SKIVE B	WASHER B
5	18	423133	SKRUE M5X20	M5X20 SCREW
6	1	423194	HUS SVINGHJUL	FLY WHEEL COVER
7	4	423148	NOT B5X10	ROUND PIN B5X10
8	1	423195	PLADE	WIND GUID BOARD
9	2	423196	MØTRIK M8	M8 NUT
10	2	423137	FJEDERSKIVE M8	SPRING WASHER 8
11	1	423138	SKIVE 8	FLAT WASHER 8
12	1	423197	SVINGHJUL	FLY WHEEL
13	4	423140	SKRUE M5X30	M5X30 SCREW
14	1	423198	KRUMTAPSHUS	FRONT-HALF CRANKSHAFT CASE
15	1	423199	TÆNDSPOLE	IGNITION COIL
16	1	423200	PAKNING	CRANKSHAFT GASKET
17	2	423143	PAKDÅSE TC12X22X7	OIL SEAL TC12X22X7
18	2	423201	LEJE 6201/P6	BEARING 6201/P6
19	1	423145	NOT 3X5X13	HALF-ROUND KEY3X5X13
20	1	423202	KRUMTAP	CRANKSHAFT ASSY
21	1	423203	KRUMTAPHUS	BACK-HALF CRANKSHAFT CASE
22	1	423204	NÅLELEJE 9X12X12	"NEEDLE BEARING-SMALL HEAD (KBK9X12X12"
23	1	423205	STEMPEL	PISTON
24	1	423206	KRYDSPIND	PISTON PIN
25	2	423207	LÅSERING	PISTON PIN CHECK RING
26	2	423208	STEMPELRING	PISTON RING
27	1	423209	PAKNING	CYLINDER GASKET
28	1	423210	CYLINDER 33 CC	CYLINDER - 33CC-EUII
29	1	423211	UDSTØDNINGSPAKNING	MUFFLER GASKET
30	1	423212	UDSTØDNING	MUFFLER-EUII DC
31	2	423213	SKRUE M5X12	M5X12 SCREW
32	1	423214	UDSTØDNINGSSKÆRM	MUFFLER COVER
33	4	419005	SKIVE M5	WASHER M5
34	4	419006	FJEDERSKIVE M5	SPRING COLLAR M5
35	4	423161	SKRUE M5X55	M5X55 SCREW
36	1	423215	INDSUGNINGSPAKNING	INLET GASKET
37	1	423216	INDSUGNINGSRØR	INLET PIPE
38	1	423217	KARBURATORPAKNING	CARBURATOR GASKET
39	1	423218	KARBURATOR	CARBURATOR
40	1	423167	LUFTFILTERHUS	AIR FILTER ASSY
41	1	423219	STARTTRISSE	STARTER CATCH PLATE
42	1	423220	PAKNING	STARTER GASKET
43	1	423221	SKÆRM	EASY-START STARTER
44	1	423222	BESLAG	FUEL TANK HOLDING PLATE
45	1	423223	GUMMIPAKNING	HOLDING PLATE RUBBER GASKET
46	1	419521	SKÆRM	GUARD

POS	QTY	PARTNUMBER	BESKRIVELSE	DESCRIPTION
47	1	423224	VARMESKJOLD	ENGINE CASE COVER BAFFLE
48	1	423132	SKRUE M5X16	M5X16 SCREW
49	1	423225	TÆNDRØR BM6A	SPARK PLUG BM6A
50	1	423226	BRÆNDSTOFTANK	FUEL TANK ASSY



POS	QTY	PARTNUMBER	BESKRIVELSE	DESCRIPTION
1-1	1	423174	RØR 26X760	TUBE 26X760
1-2-1	3	419002	BØSNING	BUSHING
1-2-2	3	419003	BØS 8X14X14	BUSHING 8X14X14
2	1	423227	KOBLINGSHUS	CLUTCH HOUSING
3	3	423176	SKRUE M5X12	SCREW M5X12
4	2	423177	SKRUE M6X25	SCREW M6X25
5-1	1	419518	KROG	HOOK
5-2	1	419519	BÆREKROG	HOOK
6	2	423178	SKRUE SÆT M6X20	SCREW M6X20
7	7	419014	MØTRIK M5	NUT M5
8	1	419453	FLEXAKSEL 8X762A	FLEXIBLE AXLE 8X762A
9	1	419454	FORBINDER	CONNECTOR
10-1	1	419455	BESLAG	BRACKET
10-2	1	419456	VINGEMØTRIK	WING NUT
10-3	1	419457	BOLT M6X20	BOLT M6X20
11	2	419458	SKRUE ST4.8X8	SCREW ST4.8X8
12-1	1	423179	RØR 26X735	TUBE 26X735
12-2-1	3	419002	BØSNING	BUSHING
12-2-2	3	419003	BØS 8X14X14	BUSHING 8X14X14
12-3	1	419460	PIN	PIN
12-4	1	419461	NITTE	RIVET
13	1	419462	FLEXAKSEL	FLEXIBLE AXLE
14	1	423180	VINKELBESLAG	ANGLE BRACE
15	1	419015	VINKELGEAR	GEARBOX
18,1	1	430232	BØS FOR VINKELGEAR	GEAR BOX LINER BUSHING
18,2	1	430233	FLANGE FOR VINKELGEAR	GEAR BOX BLADE FLANGE
18,3	1	430234	SKIVE FOR VINKELGEAR	GEAR BOX BLADE CLAMP
18,4	1	430235	STØVDÆKSEL FOR VINKELGEAR	GEAR BOX ANTI-DUST COVER
18,5	1	430051	MØTRIK LINKS M10X1,25	NUT M10X1,25
16	2	423140	SKRUE M5X30	SCREW M5X30
17-1	1	423181	SKÆRM	GUARD
17-2	2	423182	SKIVE	WASHER
17-3	4	423183	SKRUE M5X16	SCREW M5X16
17-4	1	419019	SKÆRM STØTTE	HOLDER
18	1	419021	KNIV	BLADE
19	2	423184	SKRUE ST4.2X12-H-C	SCREW ST4.2X12-H-C
20	4	423185	SKRUE M6X30	SCREW M6X30
21	1	419029	3-TANDSKLINGE	BLADE
22	1	419030	TRIMMERHOVED	TRIMMER HEAD
23	1	423186	SELE TIL BCU BUSKRYDDER	HARNESS
24	1	423189	HÅNDTAG BCU VENSTRE	HANDLE
25	1	423187	STYRHOLDER KOMPLET	GUIDE HOLDER
26	1	423188	HÅNDTAG BCU HØJRE	HANDLE HØJRE