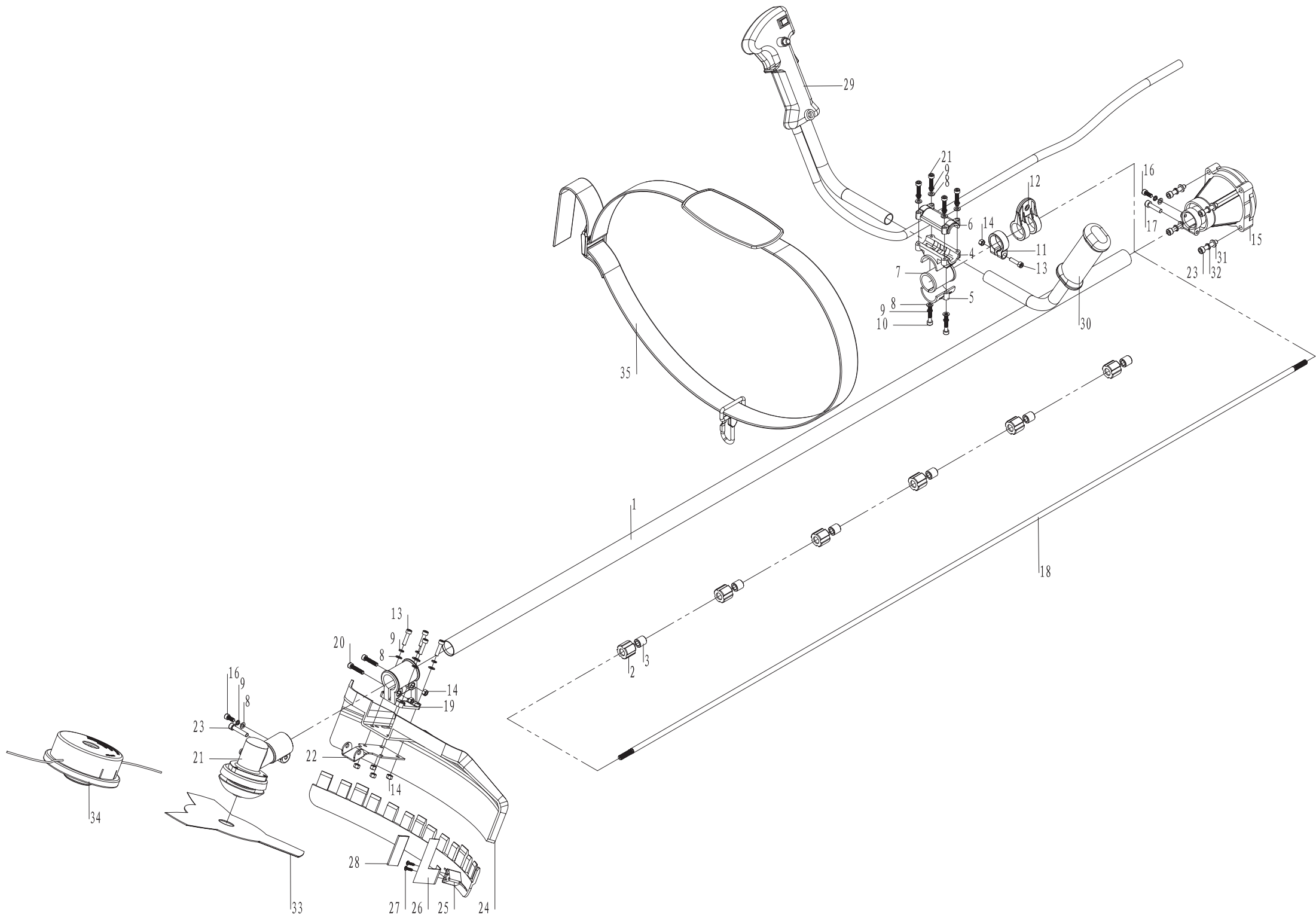


POS	QTY	PARTNUMBER	BESKRIVELSE	DESCRIPTION
1	2	419527	BOLT	SCREW AXES
2	2	419528	BØLGESKIVE 0.3X10.2X14.4	WAVE WASHER
3	1	419529	KOBLINGSSKO	CLUTCH
4	2	419530	SKIVE	WASHER B
5	2	419531	BOLT M5X12	M5X12 SCREW
6	16	419532	BOLT M5X20	M5X20 SCREW
7	1	419533	BLÆSEHUS	FLY WHEEL COVER
8	4	419534	NOT B5X10	ROUND PIN B5X10
9	2	419535	MØTRIK M8	M8 NUT
10	2	419536	FJEDERSKIVE M8	SPRING WASHER 8
11	1	419537	SKIVE M8	FLAT WASHER 8
12	1	419538	SVINGHJUL	FLY WHEEL
13	1	419539	TÆNDSPOLE	IGNITION COIL
14	4	419540	BOLT M5X30	M5X30 SCREW
15	1	419541	KRUMTAPHUS	FRONT CRANKSHAFT CASE
16	1	419542	PAKNING	CRANKSHAFT GASKET
17	1	419543	PAKDÅSE TC12X22X7	OIL SEAL
18	2	419544	KUGLELEJE 6201/P6	BEARING
19	1	419545	NOT HALVCIRKEL 3X5X13	HALF-ROUND KEY
20	1	419546	KRUMTAP KOMPLET	CRANKSHAFT ASSY
21	1	419547	PAKDÅSE TC12X22X7	OIL SEAL TC12X22X7
22	1	419548	KRUMTAPHUS	BACK CRANKSHAFT CASE
23	1	419549	NÅLEKRANS KBK9X12X12	NEEDLE BEARING
24	1	419550	STEMPEL	PISTON
25	1	419551	KRYDSPIND	PISTON PIN
26	2	419552	STEMPELRING	PISTON PIN CHECK RING
27	2	419553	STEMPELRINGESÆT	PISTON RING
28	1	419554	PAKNING	CYLINDER GASKET
29	1	419555	CYLINDER 43 CC	CYLINDER - 43CC
30	1	419556	PAKNING	MUFFLER GASKET
31	1	419557	UDSTØDNING	MUFFLER
32	2	419558	SKIVE M6	FLAT WASHER
33	2	419559	FJEDERSKIVE M6	SPRING WASHER
34	2	419560	BOLT M6X60	SCREW
35	1	419561	PAKNING	INLET GASKET
36	1	419562	ISOLATOR	INLET PIPE
37	1	419563	PAKNING	CARBURATOR GASKET
38	2	419564	BOLT M5X25	M5X25 SCREW
39	1	419565	KARBURATOR	CARBURATOR
40	1	419566	LUFTFILTERHUS	AIR FILTER ASSY
41	2	419567	SKIVE M5	FLAT WASHER
42	2	419568	FJEDERSKIVE M5	SPRING WASHER
43	2	419569	BOLT M5X60	SCREW
44	2	419570	BOLT M5X16	SCREW
45	1	419571	STARTERTRISSE	STARTER CATCH PLATE
46	1	419572	PAKNING	STARTER GASKET
47	1	419573	REKYLSTARTER	EASY-START STARTER
48	1	419574	PLADE	FUEL TANK HOLDING PLATE
49	1	419575	GUMMIPAKNING	RUBBER GASKET
50	1	419576	MOTORSKJOLD	ENGINE CASE COVER

POS	QTY	PARTNUMBER	BESKRIVELSE	DESCRIPTION
51	1	419577	DÆKSEL	ENGINE CASE COVER BAFFLE
52	1	419578	TÆNDRØR BM6A	SPARK PLUG
53	1	419579	BRÆNDSTOFTANK	FUEL TANK ASSY



POS	QTY	PARTNUMBER	BESKRIVELSE	DESCRIPTION
1	1	419513	RØR 26X760	TUBE 26X760
2	6	419002	BØSNING	BUSHING
3	6	419003	LEJE	BEARING
4	1	419514	STYREHOLDER BESLAG	HANDLE FIXED BLOCK
5	1	419515	STYRHOLDER BESLAG	HANDLE FIXED BLOCK- UNDER
6	1	419516	STYREHOLDER BESLAG	HANDLE FIXED BLOCK- UPPER
7	1	419517	STYREHOLDER RØR	HANDLE FIXE
8	14	419005	SKIVE M5	WASHER M5
9	12	419006	FJEDERSKIVE M5	SPRING COLLAR M5
10	2	419007	BOLT M5X30	BOLT M5X30
11	1	419518	KROG	BELT CONECTER FIX
12	1	419519	BÆREKROG	BELT CONNECTER
13	5	419023	BOLT M5X20	BOLT M5X20
14	7	419014	MØTRIK M5	NUT M5
15	1	419520	KOBLINGSHUS	CONNECTER ASSY
16	2	419011	BOLT M5X12	BOLT M5X12
17	1	419028	BOLT M6X25	BOLT M6X25
18	1	419012	FLEXAKSEL	FLEXIBLE AXLE
19	1	419013	HOLDER	HOLDER
20	6	419010	BOLT M5X25	BOLT M5X25
21	1	419015	VINKELGEAR	GEARBOX
22	1	419016	BESLAG	BRACKET
23	5	419017	BOLT M6X30	BOLT M6X30
24	1	419521	SKÆRM	PROTECTION GUARD
25	1	419522	SKÆRM STØTTE	GUARD BLADE HOLDER
26	1	419021	BESLAG	BRACKET
27	2	419022	SKRUE ST3.5X12	SCREW ST3.5X12
28	1	419523	BESLAG	NYLON LINE CUTTER COVER
29	1	419524	HÅNDTAG HØJRE	U TYPE HANDLE RIGHT PART
30	1	419025	HÅNDTAG VENSTRE	HANDLE
31	4	419026	SKIVE M6	WASHER M6
32	4	419027	FJEDER M6	SPRING COLLAR M6
33	1	419029	3 TANDSKLINGE	BLADE
34	1	419030	TRIMMERHOVED	TRIMMER HEAD
35	1	419525	SELE	DOUBLE BELT 2