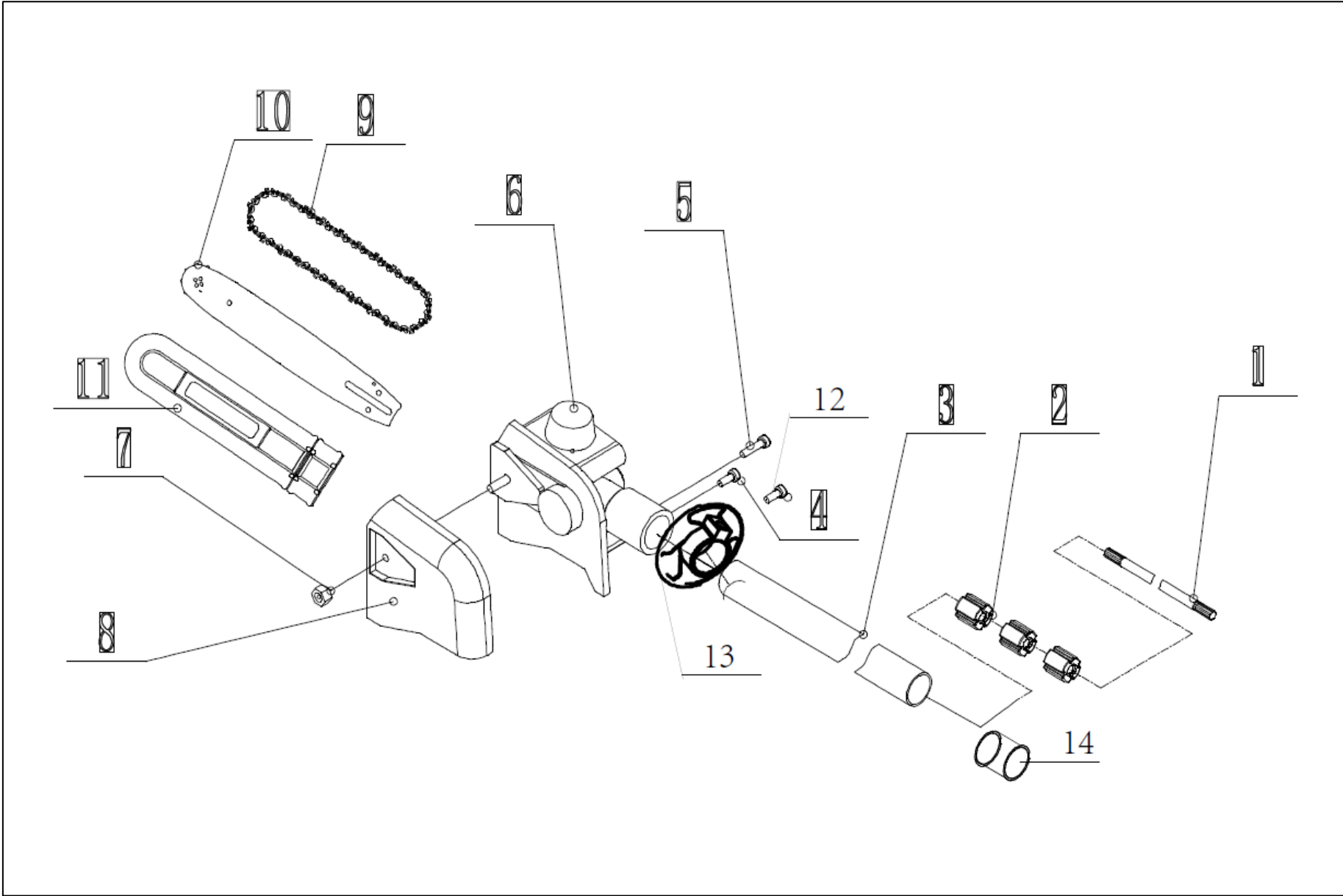
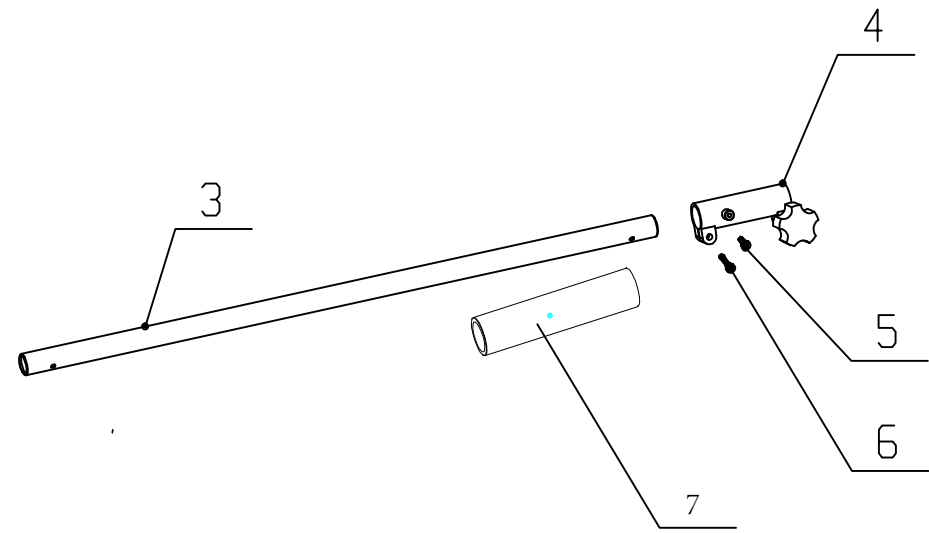
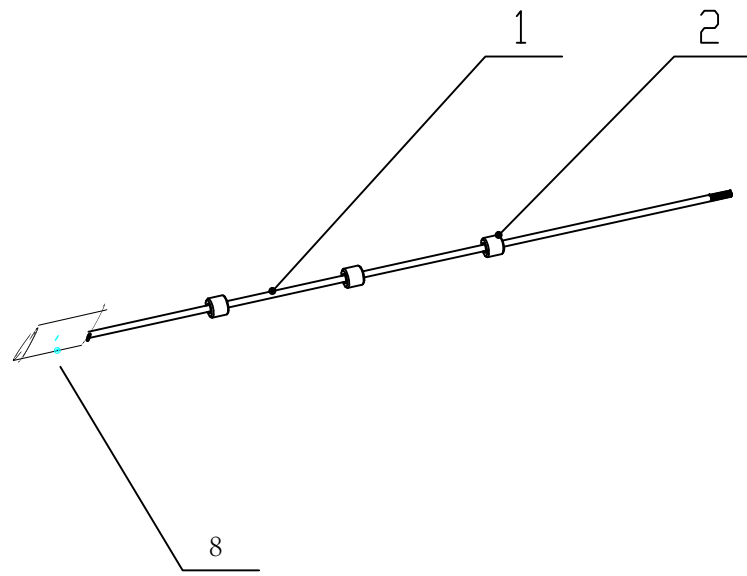


POS	QTY	PARTNUMBER	BESKRIVELSE	DESCRIPTION
1	1	452737	BATTERI COVER VENSTRE	BATTERY PACK HOLDER-LEFT
2	1	452738	ELEKTRODESTIK	ELECTRODE SOCKET
3	2	452739	BATTERIHOLDER	BATTERY INSERT
4	1	452740	PRINTPLADE	CONTROLLER ASSEMBLY
5	1	452741	BATTERI COVER HØJRE	BATTERY PACK HOLDER-RIGHT
6	18	452742	SKRUE ST4.2X16	CROSS RECESSED PAN HEAD TAPING SCREWS ST
7	1	452743	DÆKSEL HØJRE	RIGHT COVER
8	1	452744	MOTORDÆKSEL BAG HØJRE	RIGHT ENGINE COVER-REAR
9	4	452745	SKRUE ST4.2X10	CROSS RECESSED PAN HEAD TAPING SCREWS ST
10	1	452746	FORBINDER	SINGLE HANDLE WIRE ROD
11	1	452747	BOLT M4X20	HEXAGONAL CYLINDER SET BOLT M4*20
12	1	452748	BOLT M5X12	HEXAGONAL CYLINDER SET BOLT M5*12
13	1	452749	MOTOR	MOTOR ASSEMBLY
14	1	452750	MOTORDÆKSEL BAG VENSTRE	LEFT ENGINE COVER-REAR
15	1	452751	DISPLAY	DISPLAY BOARD
16	1	452752	DÆKSEL VENSTRE	LEFT COVER
17	1	452753	BOLT M5X16	HEXAGONAL CYLINDER BOLT M5*16
18	1	452754	BÆREKROG	HANGING RINGS SET COMPONENTS
19	5	452755	LÅSEMØTRIK M5	LOCKNUT M5
20	1	452756	BÆRESTROP	SHOULDER STRAP
21	1	452757	BØS FOR BÆRESTROP	SPONGE COAT
22	1	452758	HÅNDTAG NEDERST	P SHAPE HANDLE
23	1	452759	KLEMMEBØS	RUBBER RING FOR P SHAPE HANDLE
24	1	452760	HÅNDTAG ØVERST	P SHAPE HANDLE COVER
25	4	452761	BOLT M5X30	HEXAGONAL CYLINDER BOLT M5*30
26	1	452762	BESLAG TIL SAMLING AF RØR	QUICK JOINT SET
27	2	452763	BOLT M5X16	HEXAGONAL CYLINDER SET BOLT M5*16
28	2	452764	BOLT M5X25	HEXAGONAL CYLINDER SET BOLT M5*25
29	1	452765	DÆKSEL VENSTRE FOR TRIGGER	LEFT COVER SHELL-SINGLE HANDLE
30	4	452766	PRINTPLADE	CONTROL PANEL
31	1	452767	KONTAKT PLADE	SWITCH PLATE
32	1	452768	SKRUE ST2.2X4.5	CROSS RECESSED PAN HEAD TAPING SCREWS ST
33	1	452769	KONTAKT	SPEED-CONTROL SWITCH
34	1	452770	TRIGGER FJEDER	TRIGGER SPRING
35	1	452771	TRIGGER	TRIGGER-SINGLE HANDLE
36	1	452772	FJEDER	TRIGGER-CONTROL BUTTON SPRING
37	1	452773	TRIGGER	TRIGGER-CONTROL BUTTON - SINGLE HANDLE

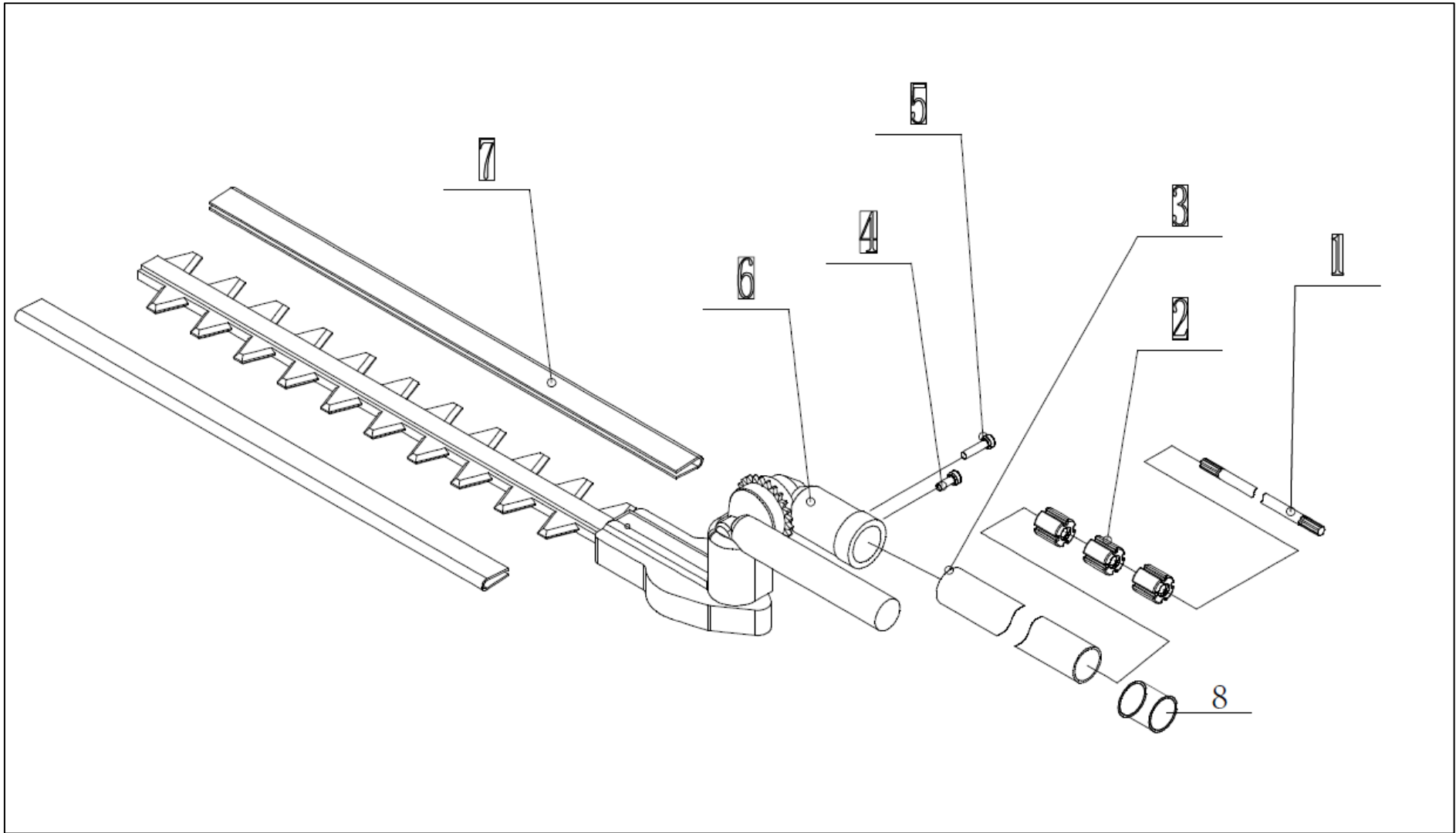
POS	QTY	PARTNUMBER	BESKRIVELSE	DESCRIPTION
38	1	452774	SAMLEMUFFE	OUTPUT SHAFT CONNECTOR
39	1	452775	RØR ØVERST	POWER ALUMINUM TUBE
40	1	452776	SKRUE ST4.2X8	CROSS RECESSED PAN HEAD TAPING SCREWS ST
41	1	452777	DÆKSEL HØJRE FOR TRIGGER	RIGHT COVER SHELL-SINGLE HANDLE
42	1	452778	DRIVAKSEL	POWER TRANSMISSION SHAFT
43	6	452779	BØSNING	OIL-RETAINING BEARING
44	1	452780	KNIV	SMALL BLADE
45	2	452781	SKRUE ST4.2X8	CROSS RECESSED PAN HEAD TAPING SCREWS ST
46	1	452782	SKÆRM	PROTECT COVER
47	1	452783	AKSEL	WORKING TRANSMISSION SHAFT
48	1	452784	LÅSERING	LOCK BANKING STOP
49	1	452785	RØR NEDERST	GRASS-CUTTING POLE
50	3	452786	BOLT M6X25	HEXAGONAL CYLINDER BOLT M6*25
51	1	452787	BESLAG FOR SKÆRM	PROTECT COVER PLATE
52	1	452788	BESLAG	PROTECT COVER CONNECTING PLATE
53	1	452789	VINKELGEAR	GEAR CASE ASSY
54	1	452790	SKIVE FOR VINKELGEAR	TOP BOARD
55	1	452791	HOLDER B	BOTTOM BOARD
56	1	452792	STØVDÆKSEL FOR VINKELGEAR	BOTTOM COVER PLATE
57	1	452793	LÅSEMØTRIK M10	LOCKNUT M10
58	1	452794	TRIMMERHOVED	NYLON CUTTER
59	1	452795	3-TANDS KLINGE	3-T METAL BLADE
60	1	452796	PLASTIK PROP FOR RØR	TUBE SHEATH



POS	QTY	PARTNUMBER	BESKRIVELSE	DESCRIPTION
1	1	452797	AKSEL	TRANSMISSION BEARING
2	3	452798	BØS	BEARING NEEDLE
3	1	452799	RØR	TRANSMISSION SHAFT
4	1	452800	BOLT M6X16	M5*16 SCREW
5	1	452801	BOLT M5X25	M5*25 SCREW
6	1	452802	GEAR KOMPLET	POLE MOUNTED PRUNNER ASSY
7	1	452803	MØTRIK	GEAR CASE COVER NUT
8	1	452804	DÆKSEL	GEAR CASE COVER
9	1	452805	KÆDE	CHAIN
10	1	452806	SVÆRD	GUIDE BAR
11	1	452807	BESKYTTELSE FOR SVÆRD	GUIDE BAR COVER
12	1	452808	SKRUE	SCREW
13	1	452809	SIKKERHEDS COVER	SAFTY COVER
14	1	452810	PLASTIK PROP FOR RØR	TUBE SHEATH



POS	QTY	PARTNUMBER	BESKRIVELSE	DESCRIPTION
1	1	452811	DRIVAKSEL	TRANSMISSION BEARING
2	3	452812	BØS	BEARING NEEDLE
3	1	452813	RØR	TRANSMISSION SHAFT
4	1	452814	BESLAG FOR SAMLING AF RØR	QUICK JOINT SET?WITH ROUND HOLE)
5	1	452815	BOLT M5X16	M5*16 SCREW
6	1	452816	BOLT M5X25	M5*25 SCREW
7	1	452817	BESKYTTER SKUMGUMMI	SPONGE
8	1	452818	PLADE FOR RØR	TUBE SHEATH





POS	QTY	PARTNUMBER	BESKRIVELSE	DESCRIPTION
1	1	452819	DRIVAKSEL	TRANSMISSION BEARING
2	3	452820	BØS	BEARING NEEDLE
3	1	452821	RØR	TRANSMISSION SHAFT
4	1	452822	BOLT M5X16	M5*16 SCREW
5	1	452823	BOLT M5X25	M5*25 SCREW
6	1	452824	HÆKKEKLIPPER	HEDGE TRIMMER
7	2	452825	BESKYTTELSE FØR KLIPPERSKÆR	HEDGE TRIMMER COVER
8	1	452826	PLASTIK PROP FOR RØR	TUBE SHEATH