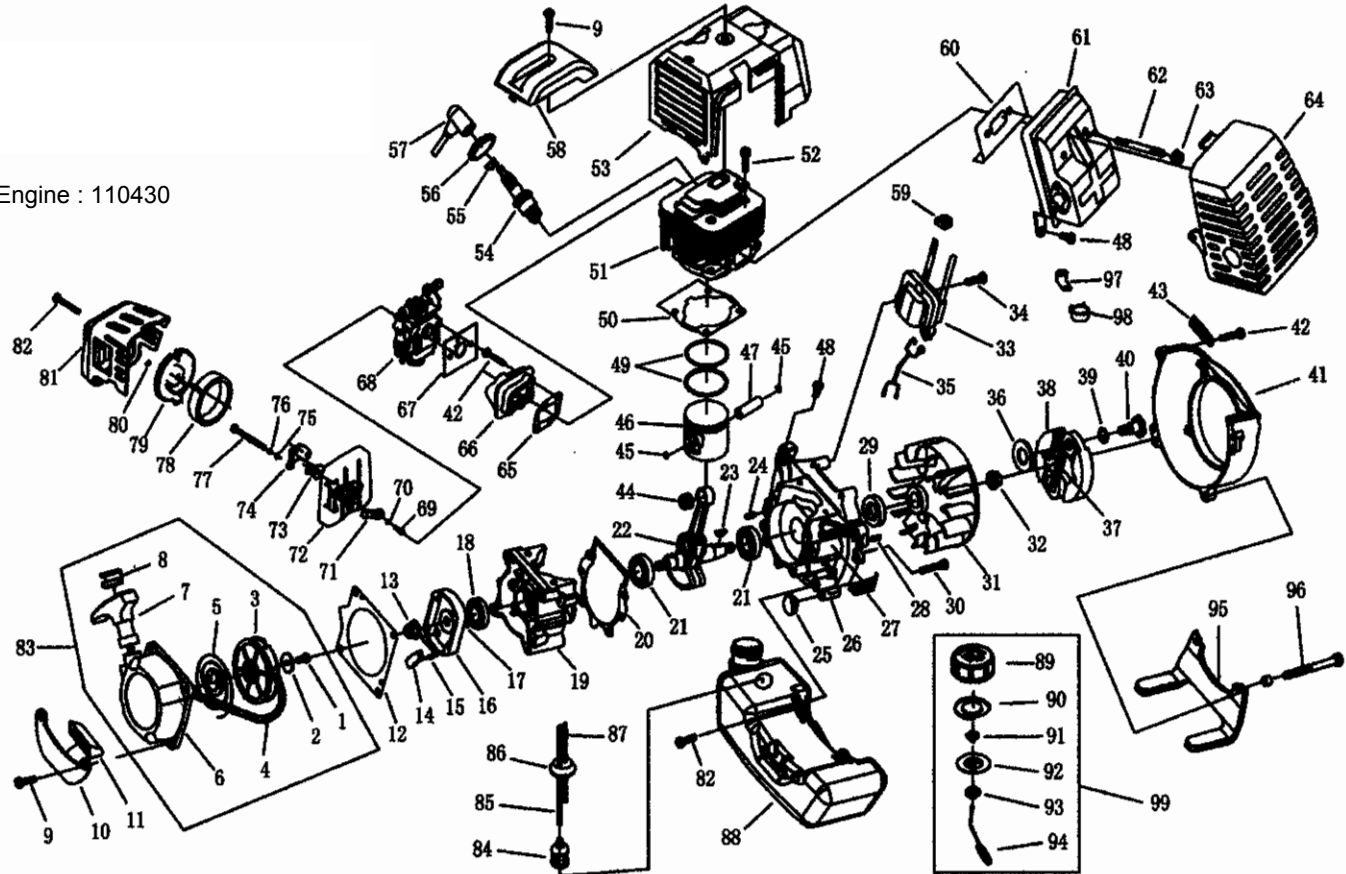


Engine : 110430



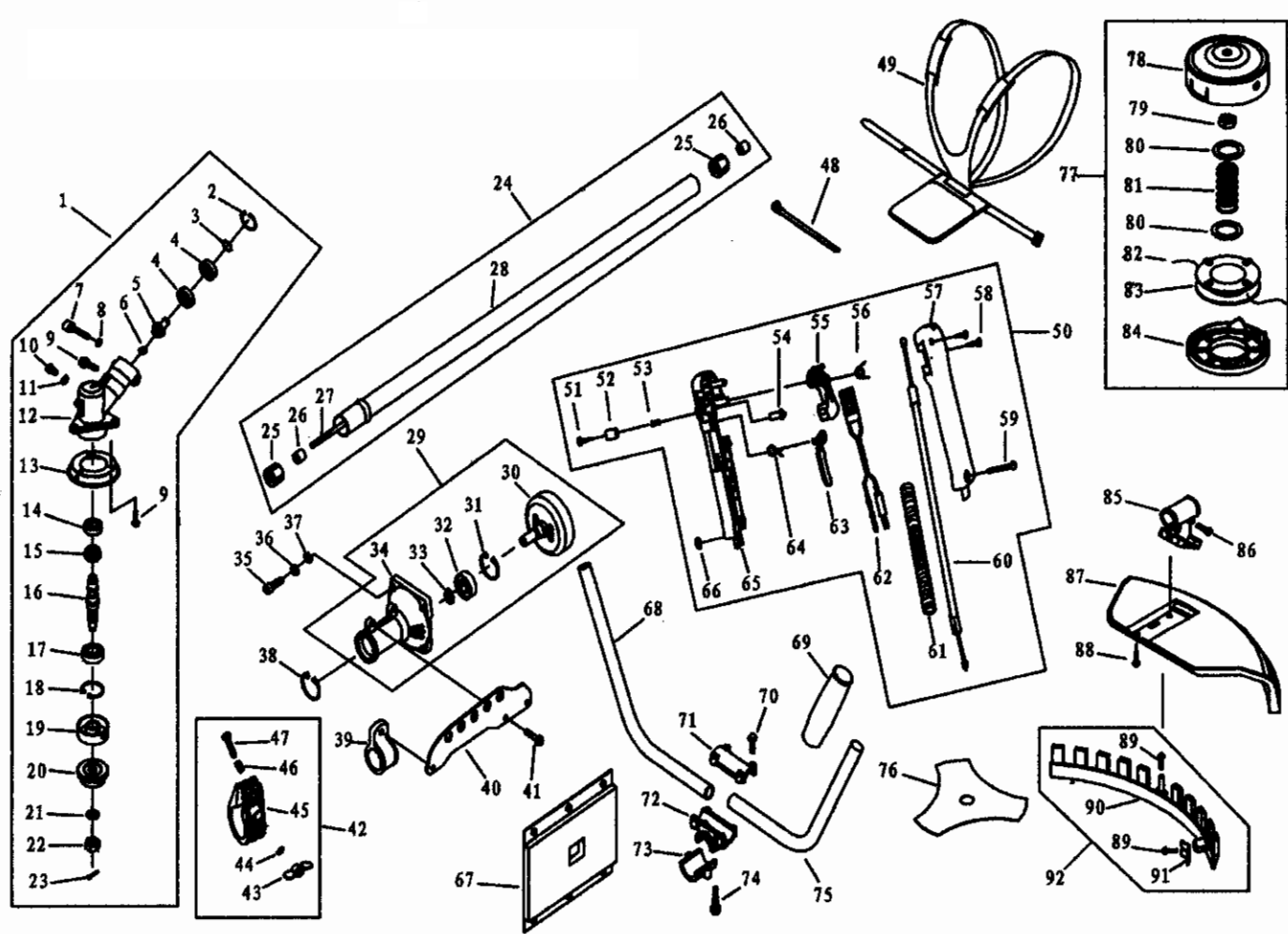
POS	QTY	PARTNUMBER	BESKRIVELSE	DESCRIPTION
1	1	11GB/T67M5X12	MASKINSKRUE 5X12	SCREW M5X12
2	1	111E40F-511-2	SKIVE	WASHER
3	1	111E40F-511-1	SNORHJUL	START ROPE REEL
5	1	662045	START FJEDER	RECOIL SPRING
6	1	111E40F-5111	STARTDÆKSEL	START COVER ASSY
7	1	111E40FP-3Z4-2	STARTHÅNDTAG	STARTER HANDLE
9	1	111E40FP-3Z4-4	HOLDER FOR STARTSNOR	WASHER
9	5	11GB/T90744M5 X20	SKRUE M5X20	SCREW M5X20
10	1	111E40F-5A-4	HOLDER	STAND
11	1	111E40F-5A-2	GUMMIDÆKSEL	RUBBER COVER
12	1	111E40F-5-10	PAKNING	GASKET
14	1	90100662	STÅLMØTRIK M8 8.8 FZB	NUT M8
14	1	111E46FP4-2	PAL	START CLAW
15	1	111E36F12-2	FJEDER	START SPRING
16	1	111E40F-57-1	PALHOLDER	START REEL
18	1	11GB896	STOP RING 4	STOP RING 4
18	1	111E36F2	PAKDÅSE T7 D22 H12 SORT	OIL SEAL 12X22X14
19	1	111E40F-58-2	KRUMTAPHUS	CRANK CASE
20	1	111E40F-58-4	PAKNING	GASKET
21	2	11GB/T276	KUGLELEJE 629/P5	BEARING 629/P5
22	1	111E40F-541	KRUMTAP	CRANKSHAFT
23	1	11GB/T10993X5 X13	NOT M3X5X12.5 HALVCIRKEL	
25	2	111E40F-5A42-1	BENZIN SLANGE	RUBBER WASHER
26	1	111E40F-58-1	KRUMTAPHUS	CRANK CASE
27	1	111E40F-58-3	DÆKSEL	GUIDE COVER
29	1	111E40F-59	PAKDÅSE T7 D30 H15 SORT	OIL SEAL
30	4	11GB/T90744M5 X30	SKRUE M5X30	SCREW M5X30
31	1	111E40F	SVINGHJUL	FLY WHEEL 1E40F-5A / CG430B
33	1	111E40FA	TÆNDSPOLE	STATOR 1E40F-5A / CG430B
35	1	111E40F-531	LEDNING	CORD COMP
37	1	111E40F-56-1	FJEDER	SPRING
38	2	111E40F-561	KOBLINGSSKO	EXPANDER
39	2	111E40F-5-11	BØLGESKIVE 14X11	WASHER
40	2	111E40F-5-12	SKRUE	SCREW PIN
41	1	111E40F-5-9	DÆKSEL	FAN COVER
42	4	11GB/T907413M 5X25	SKRUE M5X25	SCREW M5X25
43	1	111E40F-3A9	KLIPS	CLIP
44	1	111E40F-54-2	LEJE	BEARING
45	2	662086	LÅS FOR KRYDSPIND	PISTON RING CIRCLIP
46	1	111E40F-54-1	STEMPEL	PISTON
47	1	662087	KRYDSPIND	PISTONPIN
48	3	11GB/T90744M5 X12	SKRUE M5X12	SCREW M5X12
50	2	662089	STEMPEL RING	PISTON RING
50	1	111E40F-5-6	CYLINDER PAKNING	GASKET
51	1	111E40F-5-4	CYLINDER	CYLINDER

POS	QTY	PARTNUMBER	BESKRIVELSE	DESCRIPTION
52	4	11GB/T701M5X20	SKRUE M5X20	SCREW M5X20
53	1	111E40F-55	SKÆRM	
54	1	11L6	TÆNDRØR	SPARK PLUG
58	1	111E40F-5-8	SKÆRM	COVER
59	1	111E40F-53-1	PROP	PLUG
60	1	111E40F-5-5	PAKNING UDSTØDNING	GASKET
61	1	111E40F-52	UDSTØDNING	MUFFLER
62	2	111E40F-5-13	PINBOLT	BOLT
63	2	11GB/T61771M6	MØTRIK M6	
64	1	111E40F-5-7	DÆKSEL F UDSTØDNING	MUFFLER COVER
65	1	403028	PAKNING INDSUGNING	GASKET INTAKE
66	1	403027	STUDS FOR INDSUGNING	ADMITTING PIPE
67	1	403029	PAKNING	GASKET
68	1	11WYK-171	KARBURATOR	CARBURETOR
69	1	11GB/T845ST29X65	SKRUE ST2.9X6.5	SCREW ST2.9X6.5
70	1	11GB/T9713	SKIVE 3	WASHER 3
71	1	111E40F-5A11-1	CHOKERHÅNDTAG	CHOKE HANDLE
72	1	111E40F-5A111	DÆKSEL INDVENDIG	INSIDE COVER
73	1	111E40F-5A11-2	CHOKER	CHOKE
74	1	111E40F-5A12	SKÆRM	BAFFLE
75	2	11GB/T9715	SKIVE 5	WASHER 5
76	2	11GB/T935	SKIVE 5	WASHER 5
77	2	11GB/T701M5X55	SKRUE M5X55	SCREW M5X55
78	1	111E34F1-1	LUFTFILTER	AIRFILTER
79	1	111E40F-5A1-2	DÆKSEL INDVENDIG	INSIDE COVER
80	1	11GB/T34521315X18	O-RING 3.15X1.8	O-WASHER 3.15X1.8
81	1	111E40F-5A1-1	DÆKSEL UDVENDIG	OUTSIDE COVER
82	3	11GB/T90744M5X16	SKRUE M5X16	SCREW M5X16
83	1	111E40F-511	STARTER KPL	STARTER ASSY
84	1	111E34F92-3	FILTER	CLEANER
85	1	111E40F-5A42-2	BENZIN SLANGE	FUEL PIPE
86	1	111E36FF81-1	PROP/GENNEMFØRING UDEN SLANGER	PLUG
87	1	111E40F-5A42-1	BENZIN SLANGE	RUBBER WASHER
88	1	111E40F-5A41	BENZINTANK	FUEL TANK
89	1	111E32FL62-1	TANKDÆKSEL	FUELTANK CAP
90	1	11CG420131-2	PAKNING BENZINLÅG	GASKET FUEL CAP
91	1	11EB-41541	BENZINLÅG KPL.	GASOLINE LID
92	1	111E32FL62-2	KAPPE	CAP
93	1	11EB-41541	BENZINLÅG KPL.	GASOLINE LID
94	1	11EB-41541	BENZINLÅG KPL.	GASOLINE LID
95	1	111E40F-5A3	HOLDER	STAND
96	2	11GB/T907413M5X30	SKRUE M5X30	SCREW M5X30
97	1	111E40F-510-1	UDLØB	OUTLET
98	1	111E40F-510-2	STOP RING	
99	1	111E32FL62	BENZINLÅG KPL.	FUEL COVER CPL.



Pakningsæt
Gasket assy :

860263



POS	QTY	PARTNUMBER	BESKRIVELSE	DESCRIPTION
1	1	11CG430-CE3	VINKELGEAR	GEAR CASE ASSY
2	1	11GB/T8932	STOP RING 26	
3	1	6CC-10	SEEGERRING U10	
4	2	11GB/T2766000 2RS/P5	KUGLELEJE 6000 2RS/P5	
5	1	11CG415D6-4	SPIDSHJUL	PINION
6	1	11CG4153-1	DÆKSEL	CAP
7	1	11GB/T701M6X2 0	SKRUE M6X20	SCREW M6X20
8	1	11GB/T9716	SKIVE 6	WASHER 6
9	4	11GB/T90744M5 X12	SKRUE M5X12	SCREW M5X12
10	1	11GB/T292M6X1 2	SKRUE M6X12	BOLT M6X12
11	1	11GB/T9716	SKIVE 6	WASHER 6
12	1	11CG415D6-2	VINKEL GEAR HUS	GEAR CASE
13	1	11BG305124-9	DÆKSEL	COVER
14	1	11GB/T2766000/ P5	KUGLELEJE 6000/P5	BEARING 6000/P5
15	1	11BG-32895-2	KRONHJUL	GEAR
16	1	11CG305F1-1	AKSEL	GEAR SHAFT
17	1	11GB/T2766002 2RS/P5	KUGLELEJE 6002-2RS/P5	BEARING 6002-2RS/P5
18	1	11GB/T893232	STOPRING 32	
19	1	11BG305124-5	HOLDER A	SUPPORT A
20	1	11CG305F1-3	HOLDER B	SUPPORT B
21	1	11GB/T862110	SKIVE 10	WASHER 10
22	1	11CG305F1-4	MØTRIK GUL	NUT
23	1	11GB/t912X16	STIFT 2X16	PIN 2X16
24	1	11CG430-CE2	RØR KPL.	
25	6	11CG415D4-2	BØS GUMMI	BUSHING
26	6	11BG-32894-4	BØS	OIL BEARING
27	1	11CG4202-3	AKSEL INDER LANG	DRIVE SHAFT LONG
28	1	11CG430-CE21	RØR	
29	1	11CWF40-1	SVINGHJUL MED TÆNDSPOLE	FLYWHEEL AND IGNITION COIL
30	1	11CG415D11	KOBLINGSTROMLE	CLUTCH DRUM
31	1	11GB/T893135	STOPRING 35	
32	1	11GB/T2766002 2RS/P5	KUGLELEJE 6002-2RS/P5	BEARING 6002-2RS/P5
33	1	90102485	SEEGERRING U15	CIRCLIP
34	1	11CG4111-1	KOBLINGSHUS	CLUTCH CASE
35	4	11GB/T701M6X2 0	SKRUE M6X20	SCREW M6X20
36	4	11GB/T9716	SKIVE 6	WASHER 6
37	4	11GB/T8486	SKIVE 6	WASHER 6
38	1	11GB/T893237	STOP RING 37	
39	1	11CG411-5	CLAMP	HANG RING
40	1	11CG411-1	BESLAG F STROP	HANG HANDLE
41	3	11GB/T907412M 6X16	BOLT M6X16	
42	1	11CG4112	RING KPL.	RING FOR LIMIT ASSY

POS	QTY	PARTNUMBER	BESKRIVELSE	DESCRIPTION
43	1	11GB/T62M6	FLØJMØTRIK M6 SORT	NUT M6
44	1	11GB/T9716	SKIVE 6	WASHER 6
45	1	11CG4112-1	RING	
46	1	11CG4112-2	FJEDER	SPRING
47	1	90102890	SÆTBOLT 6X45 8.8 FZB	SCREW M6X45
48	1	11BG415-1	SPÆNDEBÅND	WIRE CLAMP BAND
49	1	5200	LUKSUSSELE F. BUSKRYDDER	LUXURY CARRYING SLING
50	1	11CG43011	GREB KPL.	LEVER ASSY
51	1	296005	PLADESKRUE M2,9X13 SPIDS	SCREW M2,9X13
52	1	11BL7503-9	BØS	BUTTON
53	1	11BL7503-7	FJEDER	SPRING
54	1	11BL7503-8	STIFT	CLOCK PIN
55	1	11BL7503-4	GREB	HANDGRIP
56	1	11BL7503-1	FJEDER	SPRING
57	1	11BL7503-5	HUS HØJRE	BOX RIGHT
58	2	296007	PLADESKRUE M2,9X19 SPIDS	SCREW M2,9X19
59	1	11GB/T701M5X30	SKRUE M5X30	SCREW M5X30
60	1	11CG430111	KABEL	CABLE
61	1	11CG411311-1	FLEXRØR	TUBE
62	1	11CG430112	STOPKNAP	STOP BUTTON
63	1	11BL7503-3	GREB	GRIB
64	1	11BL7503-2	FJEDER	SPRING
65	1	11BL7503-6	HUS VENSTRE	BOX LEFT
66	1	90100690	LÅSEMØTRIK M5 8.8 FZB	LOCKNUT M5
67	1	11CG3283	CUSHION	CUSHION
68	1	11CG4113-1	HÅNDTAG	HANDLE
69	1	11CG330B-CE3-1	GREB GUMMI	RUBBER COVER
70	4	11GB/T907413M5X25	SKRUE M5X25	SCREW M5X25
71	1	11CG415D-1	BESPÆNDING ØVERST	CAP UPPER
72	1	11CG415D-3	BESPÆNDING MELLEM 28MM	BRACKET MIDDLE 28MM
73	1	11CG415D-2	BESPÆNDING NEDERST 28MM	CAP LOWER 28MM
74	2	11GB/T907413M6X25	BOLT M6X25	
75	1	11CG415D2-2	HÅNDTAG CG	HANDLE
76	1	5603-250	3-TANDSKLINGE	3-TOOTH BLADE
77	1	402982	SNØREHOVED KPL. 10 MM	TRIMMERHEAD 10MM
78	1	11CG305F81	SNØREHOVED HUS	CASE
79	1	11CG305F8-4	MØTRIK 10MM LINKS	NUT 10MM
80	2	11CG305F8-5	SKIVE	WASHER
81	1	11CG305F8-3	FJEDER	SPRING
83	1	11CG305F8-1	SNØRERULLE	SPOOL
84	1	11CG305F8-2	BUND	CUP
85	1	11BG43026-1	BESLAG	BRACKET
86	2	11GB/T907413M5X30	SKRUE M5X30	SCREW M5X30
87	1	11CG42071-1	SKÆRM ØVERST RØD	SAFETY GUARD

POS	QTY	PARTNUMBER	BESKRIVELSE	DESCRIPTION
88	4	11GB/T90744M5 X16	SKRUE M5X16	SCREW M5X16
89	2	11GB/T845ST42 X16	PLADESKRUE 4.2X16	SCREW ST4.2X16
90	1	11CG420711	SKÆRM NEDERST KPL	GUARD ASSY
91	1	11CG420711-2	KNIV	BLADE
92	1	11CG420711	SKÆRM NEDERST KPL	GUARD ASSY