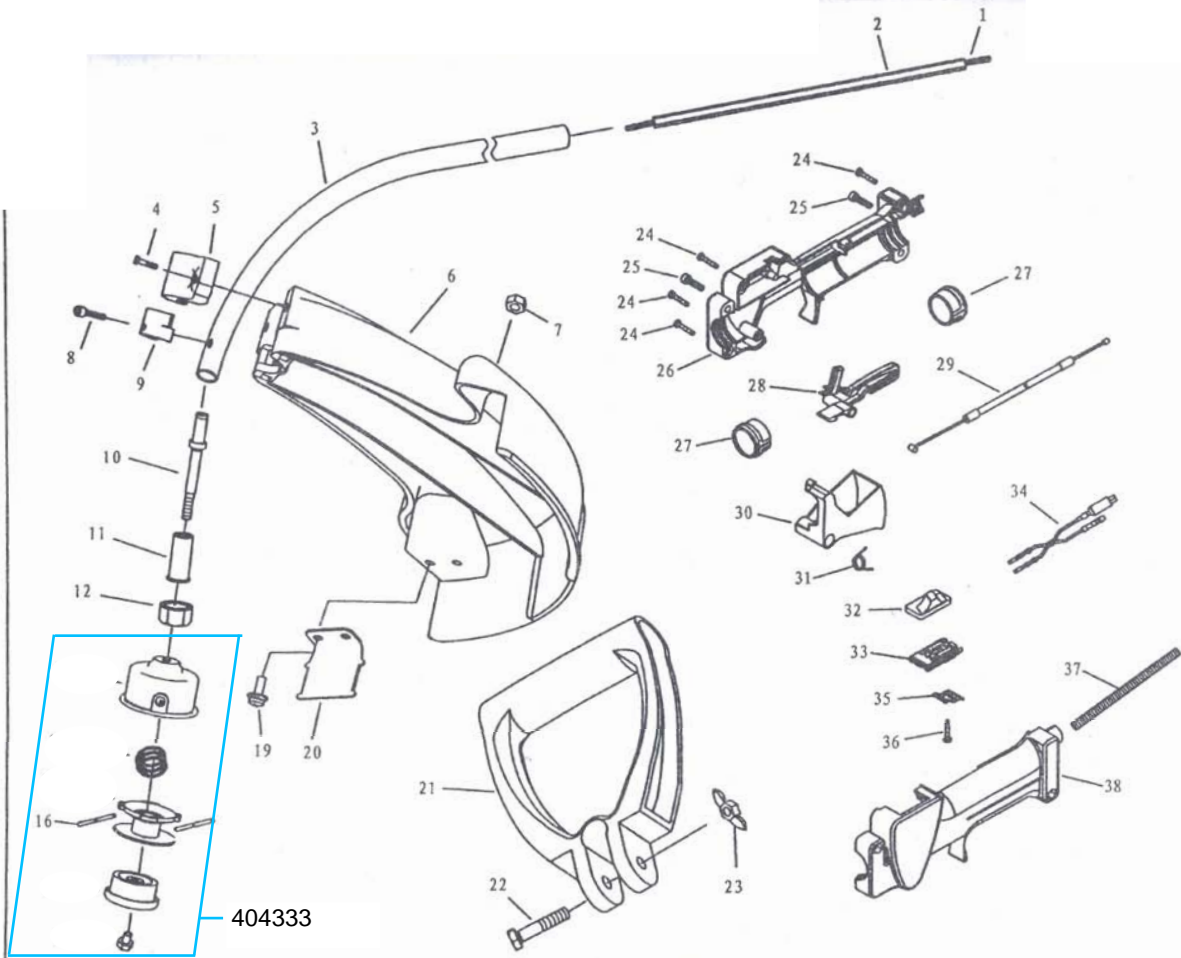


NO.	Part NO.	Part Name	Qty.	NO.	Part NO.	Part Name	Qty.	NO.	Part NO.	Part Name	Qty.
1	1E34F. 1-2	Screw	1	29	1E34F. 6-4	Bearing	2	57	1E32F-2. 2-2	Front Cover	1
2	1E34F. 1-4	Cleaner Outside Cover	1	30	1E32F-2. 4-2	Ring	2	58	GB/T848	Washer 5	8
3	1E34F. 1-1	Filter	1	31	GB/T894. 1	Stop Ring 8	1	59	GB/T70. 1	Screw M5×20	8
4	GB/T845	Screw ST4. 2×12-F-H	1	32	1E32F-2. 4-5	Washer	1	60	1E32F-2. 2. 1	Stop Switch	1
5	1E34F. 1-3	Choker	1	33	1E32F-2. 4-4	Link	1	61	1E32F-2. 2-8	Start Rope	1
6	GB/T9074. 4	Screw M5×50	2	34	1E32F-2. 4. 1	Crank Shaft	1	62	1E32F-2. 2-6	Ring	1
7	1E34F. 1. 1	Cleaner Inside Cover	1	35	GB/T1099	Key 3×5×13	1	63	1E36F. 1-1	Start Handle	1
8	GB/T6172	Nut M4	1	36	GB/T 276	Bearing 6001/P6	1	64	1E36F. 1-5	Washer	1
9	1E34F. 1-7	Bush	1	37	GB/T 893. 1	Ring 28	2	65	1E32F-2. 6-1	Fuel Tank	1
10	1E34F. 1-2	Choker Handle	1	38	1E32F-2. 5-1	Crank Case	1	66	1E32F-2-10	Bush	2
11	1E32FL. 7	Carburetor	1	39	1E32F-2-6	Washer	2	67	1E32F-2-9	O-Ring	1
12	1E34F-1A	Gasket	1	40	1E32F-2. 3-1	Ignition Coil Comp.	1	68	1E34F. 9. 2-3	Cleaner	1
13	GB/T9074. 4	Screw M5×25	2	41	GB/T9074. 4	Screw M4×30	2	69	1E36FF. 8. 1-1	Plug	1
14	1E32F-2-1	Admitting Port	1	42	1E32F-2. 5. 1	Oil-seal	1	70	1E32F-2. 6-3	Outlet Fuel Pipe	1
15	1E32F-2-2	Gasket	1	43	GB/T 276	Bearing 6001-RS/P6	1	71	1E32F-2. 6-2	Inlet Fuel Pipe	1
16	1E32F-2-3	Cylinder	1	44	GB/T 894. 1	Ring 12	1	72	1E32FL. 6. 2-4	Chain	1
17	GB/T70. 1	Screw M6×20	2	45	1E32F-2. 3-2	Magneto Rotor	1	73	1E32FL. 6. 2-3	Lid	1
18	GB/T93	Washer 6	2	46	1E32F-2. 3-4	Start Spring	2	74	1E32FL. 6. 2-2	Inside Cover	1
19	GB/T848	Washer 6	2	47	1E32F-2. 3-3	Start Claw	2	75	EB-415. 4. 1. 1-1	Inlet	1
20	L6	Spark Plug	1	48	1E32F-2. 3-5	Clutch Step Screw	2	76	CG420. 1. 3. 1-2	Gasket	1
21	1E32F-2-5	Gasket	1	49	1E32F-2-11	Connect Shaft	1	77	1E32FL. 6. 2-1	Fuel Tank Lid	1
22	1E32F-2. 1	Muffler	1	50	GB/T5282	Screw ST3. 5×6. 5-F	1	78	1E32F-2-7	Rear Cover	1
23	1E32F-2-4	Spring	2	51	1E32F-2. 2-7	Washer	1	79	GB/T845	Screw ST4. 8×22-F	1
24	1E32F-2-8	Gasket	1	52	1E32F-2. 2-5	Ratchet Wheel	1	80	1E32F-2. 3-6	Plug Cover	1
25	1E32FL. 3-1	Piston Ring	1	53	1E32F-2. 2-4	Outer Cover	1	81	1E34F. 5-2	Plug Cap	1
26	1E32F-2. 4-1	Piston	1	54	1E32F-2. 2-3	Recoil Spring	1	82	1E40F-3A. 8-2	Click Spring	1
27	1E34F. 6-1	Ring	2	55	GB/T845	Screw ST4. 8×16-F	2	83	GB/T70. 1	Screw M5×16	2
28	1E32F-2. 4-3	Piston Pin	1	56	1E32F-2. 2-1	Flash Pan	2	84	403052	Rekylstart komplet	1



NO.	Part NO.	Part Name	Qty.	NO.	Part NO.	Part Name	Qty.	
1	CG230E. 2. 1	Flexible Shaft	1	20	CG305F. 11-1	Blade	1	
2	CG230E. 2-2	Bracket	1	21	CG230E-1	Holder	1	
3	CG230E. 2-1	Pipe	1	22	GB/T5782	Screw M6×40	1	
4	GB/T9074. 13	Screw M5×25	2	23	GB/T62	Nut M6	1	
5	CG260E-6	Holder	1	24	GB/T845	Screw ST3. 5×19	4	
6	CG260E-5	Safety Guard	1	25	GB/T70. 1	Screw M5×18	2	
7	GB/T889. 1	Nut M5	2	26	SG230. 1-1	Box, Right	1	
8	GB/T9074. 4	Screw M5×10	1	27	SG230. 1-7	Adapter Sleeve	2	
9	CG230E-3	Bracket	1	28	SG230. 1-4	Safety Lever	1	
10	CG230E. 2-3	Screw Shaft	1	29	SG230. 1. 1	Cable Comp.	1	
11	CG230E. 2-4	Bush	1	30	SG230. 1-5	Throttle Lever	1	
12	CG230E. 2-5	Nut	1	31	SG230. 1-6	Spring	1	
				1	32	SG230. 1. 2-3	Stop Switch	1
				1	33	SG230. 1. 2-2	Guide Seat	1
				1	34	SG230. 1. 2. 1	Stop Line	1
16	CG230E. 3-4	Rope ϕ 1. 8×2500	2	35	SG230. 1. 2-1	Touch Reed	1	
				1	36	GB/T845	Screw ST2. 9×13	1
				1	37	SG230. 1-3	Tube	1
19	GB/T9074. 4	Screw M5×16	2	38	SG230. 1-2	Box, Left	1	