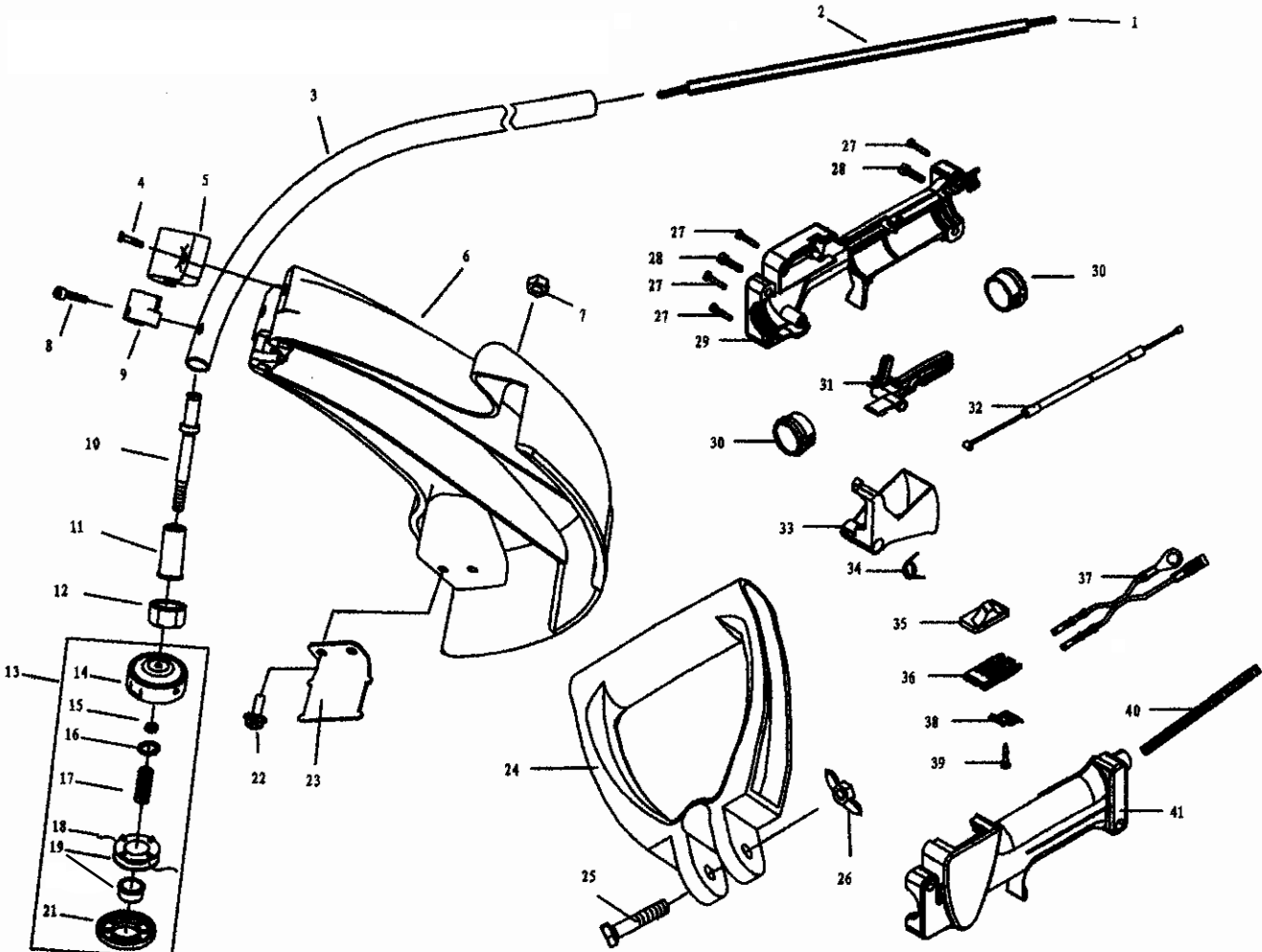


POS	QTY	PARTNUMBER	BESKRIVELSE	DESCRIPTION
1	1	111E34F12	BOLT	BOLT
2	1	404841	LUFTFILTERDÆKSEL	COVER
3	1	111E34F1-1	LUFTFILTER	AIRFILTER
4	1	11GB/T845	SKRUE M2X12	SCREW M2X12
5	1	111E34F1-3	CHOKER	CHOKE
6	2	11GB/T90744	SKRUE M5X12	SCREW M5X12
7	1	111E34F11	LUFTFILTERHUS	AIR FILTER HOUSING
8	1	11GB/T6172M4	MØTRIK M4	NUT M4
9	1	111E34F1-7	STOP RING	STOP RING
10	1	111E34F1-2	CHOKERHÅNDTAG	CHOKERHANDLE
11	1	111E32FL7	KARBURATOR	CARBURETOR
12	1	111E34F-1A	PAKNING	GASKET
13	2	11GB/T90744	SKRUE M5X12	SCREW M5X12
14	1	111E32F-2-1	ISOLATOR	ADMITTING PORT
15	1	111E32F-2-2	PAKNING	GASKET
16	1	111E32F-2-3	CYLINDER	CYLINDER
17	2	662036	SKRUE M5X20	SCREW M5X20
18	2	11GB/T93	SKIVE	WASHER
19	2	90102309	PLANSKIVE M6	WASHER M6
20	1	11L6	TÆNDRØR	SPARK PLUG
21	1	111E32F-2-5	PAKNING	GASKET
22	1	111E32F-21	UDSTØDNING	MUFFLER
23	2	111E32F-2-4	FJEDER	SPRING
24	1	111E32F-2-8	CYLINDERPAKNING	GASKET
25	1	111E32FL3-1	STEMPELRING	PISTON RING
26	1	111E32F-24-1	STEMPEL	PISTON
27	2	111E34F6-1	SKIVE	RING
28	1	111E32F-24-3	KRYDSPIND	PISTON PIN
29	2	111E34F6-4	NÅLELEJE	NEEDLE BEARING
30	2	111E32F-24-2	RING	RING
31	1	11GB/T8941	STOP RING 8	STOP RING 8
32	1	111E32F-24-5	SKIVE	WASHER
33	1	111E32F-24-4	PLEJLSTANG	LINK
34	1	111E32F-241	KRUMTAP	CRANKSHAFT
35	1	11GB/T1099	NOT	KEY
36	1	11GB/T276	KUGLELEJE 629/P5	BEARING 629/P5
37	2	11GB/T8931	RING 28	RING 28
38	1	111E32F-25-1	KRUMTAPHUS	CRANK CASE
39	2	111E32F-2-6	SKIVE	WASHER
40	1	111E32F-23-1	TÆNDSPOLE	IGNITION COIL COMP
41	2	11GB/T90744	SKRUE M5X12	SCREW M5X12
42	1	111E32F-251	TÆTNINGSRING	OIL SEAL
43	1	11GB/T276	KUGLELEJE 629/P5	BEARING 629/P5
44	1	11GB/T8941	STOP RING 8	STOP RING 8
45	1	111E32F-23-2	SVINGHJUL	FLY WHEEL
46	2	111E32F-23-4	FJEDER	START SPRING
47	2	111E32F-23-3	PAL	START CLAW
49	1	111E32F-2-11	AKSEL	CONNECT SHAFT
51	1	111E32F-24-7	SKIVE	WASHER
52	1	111E32F-22-5	SNORRULLE	RACHET WHEEL

POS	QTY	PARTNUMBER	BESKRIVELSE	DESCRIPTION
53	1	111E32F-22-4	DÆKSEL	OUTER COVER
54	1	111E32F-22-3	START FJEDER	RECOIL SPRING
55	2	11GB/T845	SKRUE M2X12	SCREW M2X12
56	2	111E32F-22-1	PLADE	FLASH PAN
57	1	111E32F-22-2	FRONT DÆKSEL	FRONT COVER
58	8	90102309	PLANSKIVE M6	WASHER M6
59	10	662039	TYLLE	CORO GROMMET
60	1	111E32F-221	STOPKONTAKT	STOP SWITCH
62	1	111E32F-22-6	RING	RING
63	1	111E36F1-1	STARHÅNDTAG	STARTER HANDLE
64	1	111E36F1-5	SPECIALSKIVE	PLATE 2-46
65	1	111E32F-26-1	BENZIN TANK	FUEL TANK
66	2	111E32F-2-10	BØS	BUSH
67	1	111E32F-2-9	O-RING	O-RING
68	1	111E34F92-3	FILTER	CLEANER
69	1	111E36FF81-1	PROP	PLUG
72	1	11EB-41541	BENZINLÅG KPL.	GASOLINE LID
73	1	11EB-41541	BENZINLÅG KPL.	GASOLINE LID
74	1	111E32FL62-2	KAPPE	CAP
75	1	11EB-415411-1	ÅNDEVENTIL	BREATHERVELV
76	1	11CG420131-2	PAKNING BENZINLÅG	GASKET FUEL CAP
77	1	111E32FL62-1	TANKDÆKSEL	FUELTANK CAP
78	1	111E32F-2-7	DÆKSEL BAGERST	REAR COVER
79	1	11GB/T845	SKRUE M2X12	SCREW M2X12



POS	QTY	PARTNUMBER	BESKRIVELSE	DESCRIPTION
1	1	11CG260E-CE11	FLEXAKSEL	FLEXIBLE SHAFT
3	1	11CG230E2-1A	STANG	TUBE
5	1	11CG260E-6	BESLAG	HOLDER
6	1	11CG260E-5	SKÆRM PLASTIK	GUARD PLASTIC
7	2	90100660	STÅLMØTRIK M5	NUT M5
8	1	11GB/T90744	SKRUE M5X12	SCREW M5X12
9	1	11CG230E-3	BESLAG	BRACKET
10	1	11CG230E2-3	ADAPTER	SCREW SHAFT
11	1	11CG230E2-4	BØS	BUSH
12	1	11CG230E2-5	MØTRIK	NUT
13	1	402981	SNØREHOVED KPL.	TRIMMERHEAD 8MM
14	1	11CG305F81	SNØREHOVED HUS	CASE
15	1	11CG260E-T2	MØTRIK 8MM	NUT 8MM
16	1	11CG305F8-5	SKIVE	WASHER
17	1	11CG305F8-3	FJEDER	SPRING
19	1	11CG305F8-1	SNØRERRULLE	SPOOL
21	1	11CG305F8-2	BUND	CUP
22	2	662082	SKRUE M5 X 14	SCREW M5 X 14
23	1	11CG305F11-1	KNIV	KNIFE
24	1	11CG230E-1	HÅNDTAG	HOLDER
27	4	11GB/T845	SKRUE M2X12	SCREW M2X12
28	2	662036	SKRUE M5X20	SCREW M5X20
29	1	11SG2301-1	HUS HØJRE	BOX RIGHT
30	2	11SG2301-7	MUFFE	ADAPTER SLEEVE
31	1	11SG2301-4	SIKKERHEDSGREB	SAFETY LEVER
32	1	11SG23011	GASKABEL	CABLE COMP
33	1	11SG2301-5	GASGREB	THROTTLE LEVER
34	1	11SG2301-6	FJEDER	SPRING
35	1	11SG23012-3	STOP KONTAKT	STOP SWITCH
36	1	11SG23012-2	STYR	GUIDE SEAT
37	1	11SG230121	STOPKABEL	STOP LINE
38	1	11SG23012-1	HOLDER	TOUCH REED
39	1	11GB/T845	SKRUE M2X12	SCREW M2X12
40	1	11SG2301-3	BESKYTTELSES SLANGE	TUBE
41	1	11SG2301-2	HUS VENSTRE	BOX LEFT