

# Homelite®

## PARTS LIST

**ST-155i**

(UT20563-E, F)

**ST-385i**

(UT15088-F, G)

**HBC-30i**

(UT15085-G, H)

**HBC-30Bi**

(UT15086-G, H)

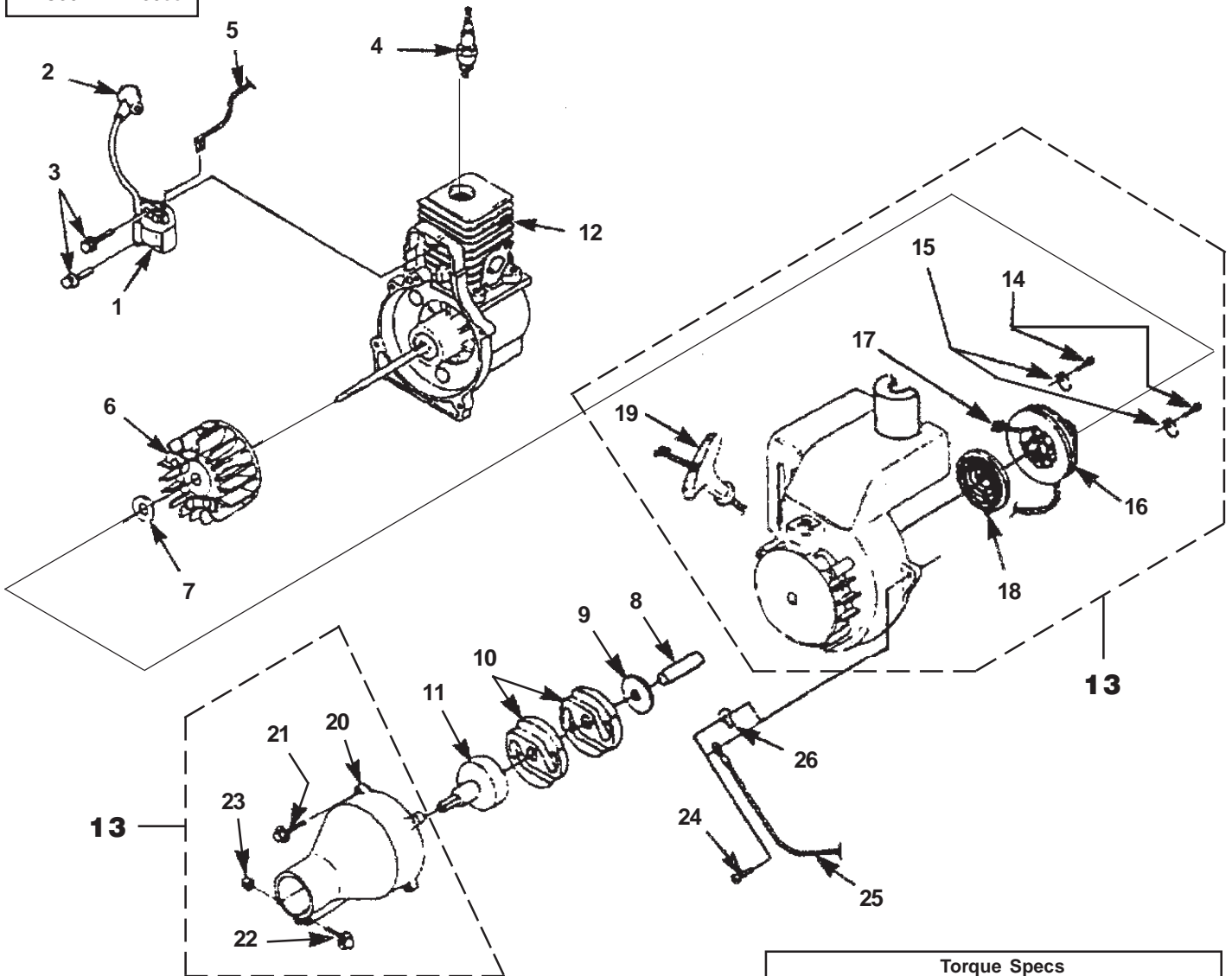


**PART NO. PS01239**

Printed in U.S.A.

ST-385i ..... 25cc  
HBC30i ..... 30cc  
HBC30Bi ..... 30cc

## IGNITION - ROTOR - STARTER - CLUTCH

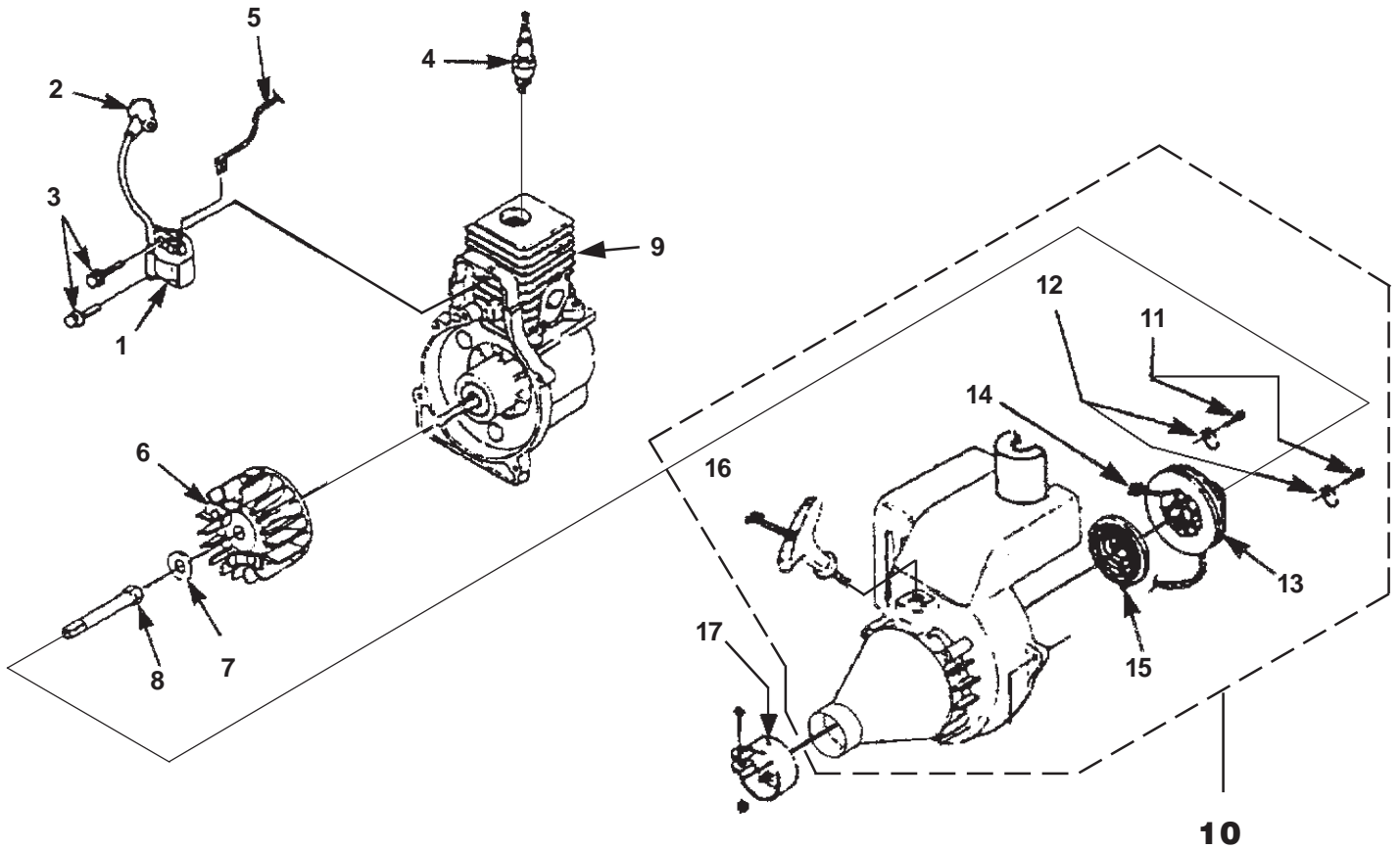


Item No	In/Lbs	Torque Specs	
		Nm	Required Loctite
3	30-40	3.4-4.5	
4	120-180	13.6-20.3	
14	30-40	3.4-4.5	
21	30-40	3.4-4.5	
23	40-50	4.5-5.6	
24	55-60	6.2-6.8	

No.	Part No.	Description	Qty
1	94711 CS	MODULE-Ignition	1
2	A 33055	TERMINAL & COVER	1
3	82540	SCREW-Taptite (8-32 X 1")	2
4	79252	SPARK PLUG	1
5	A 00681	LEAD-Electrical	1
6	A 04158 S	ROTOR KIT	1
7	95479 A	WASHER-Flat	1
8	PS 03566 1	SPACER	1
9	98929 A	WASHER-Flat	1
10	00242	CLUTCH (ST385i)	2
		CLUTCH (HBC-30i, HBC-30Bi)	3
11	A 03485 B	CONNECTOR & DRUM (HBC-30i, HBC-30Bi)	1
11	A 02727	CONNECTOR & DRUM (ST385i)	1
12		SHORT BLOCK (See Pg. 4)	1

No.	Part No.	Description	Qty
13	A 04638 C	COMPLETE STARTER ASSEMBLY	1
14	82541	SCREW-Plastite (#10-1/2")	2
15	98791	BRACKET-Retaining	2
16	98770 A	PULLEY-Starter	1
17	97899 02	ROPE-Starter (42")	1
18	A 98773 A	SPRING & CONTAINER	1
19	02264	GRIP-Starter	1
20	A 02396 A	TUBE ADAPTER	1
21	88052	SCREW-Hex Hd. (10-24 X 7/8")	4
22	96624	SCREW-Sems Hex Hd. (10-24 X 1 1/8")	1
		NUT (10-24)	1
23	81208	SCREW-Taptite (10-24 X 3/4")	4
24	82538	LEAD-Ground	1
25	A 98919 A	TERMINAL-Male	1
26	02851		1

# IGNITION - ROTOR - STARTER

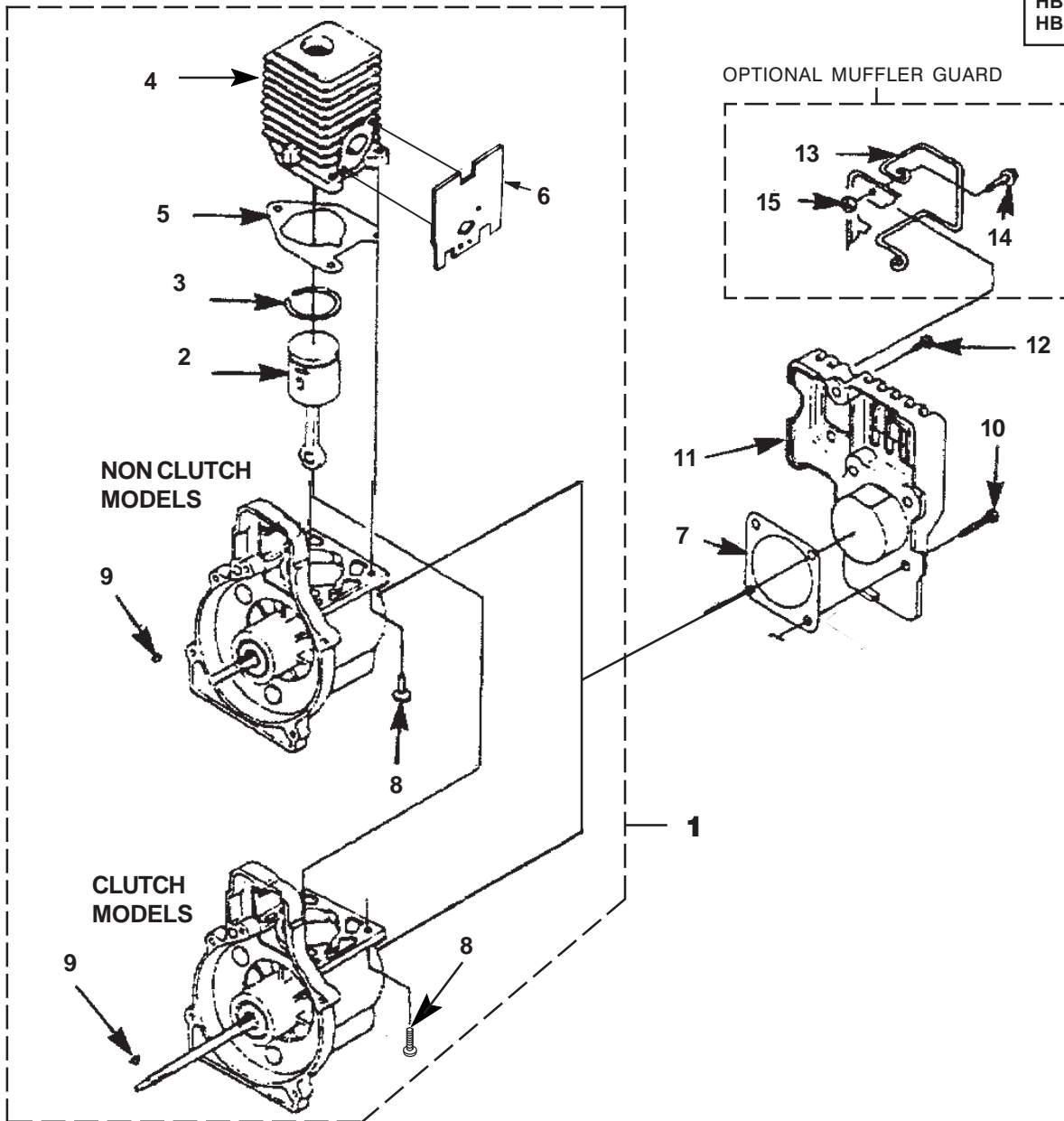


No.	Part No.	Description	Qty
1	94711 CS	MODULE-Ignition	1
2	A 33055	TERMINAL & COVER	1
3	82540	SCREW-Taptite (8-32 X 1")	2
4	79252	SPARK PLUG	1
5	A 00681	LEAD-Electrical	1
6	A 04158 S	ROTOR KIT	1
7	95479 A	WASHER-Flat	1
8	98795 A	CONNECTOR-Drive	1
9		SHORT BLOCK (See Pg. 4)	1
10	A 02575 E	COMPLETE STARTER ASSEMBLY	1
11	82541	SCREW-Plastite (#10-1/2")	2
12	98791	BRACKET-Retaining	2
13	98770 A	PULLEY-Starter	1
14	97899 02	ROPE-Starter (42")	1
15	A 98773 A	SPRING & CONTAINER	1
16	02264	GRIP-Starter	1
17	08469	CLAMP w/fasteners	1

Item No	Torque Specs		Required Loctite
	In/Lbs	Nm	
3	30-40 .....	3.4-4.5	
4	120-180 .....	13.6-20.3	
11	30-40 .....	3.4-4.5	

# ENGINE INTERNAL

ST-155i ..... 25cc  
 ST-385i ..... 25cc  
 HBC30i ..... 30cc  
 HBC30Bi ..... 30cc



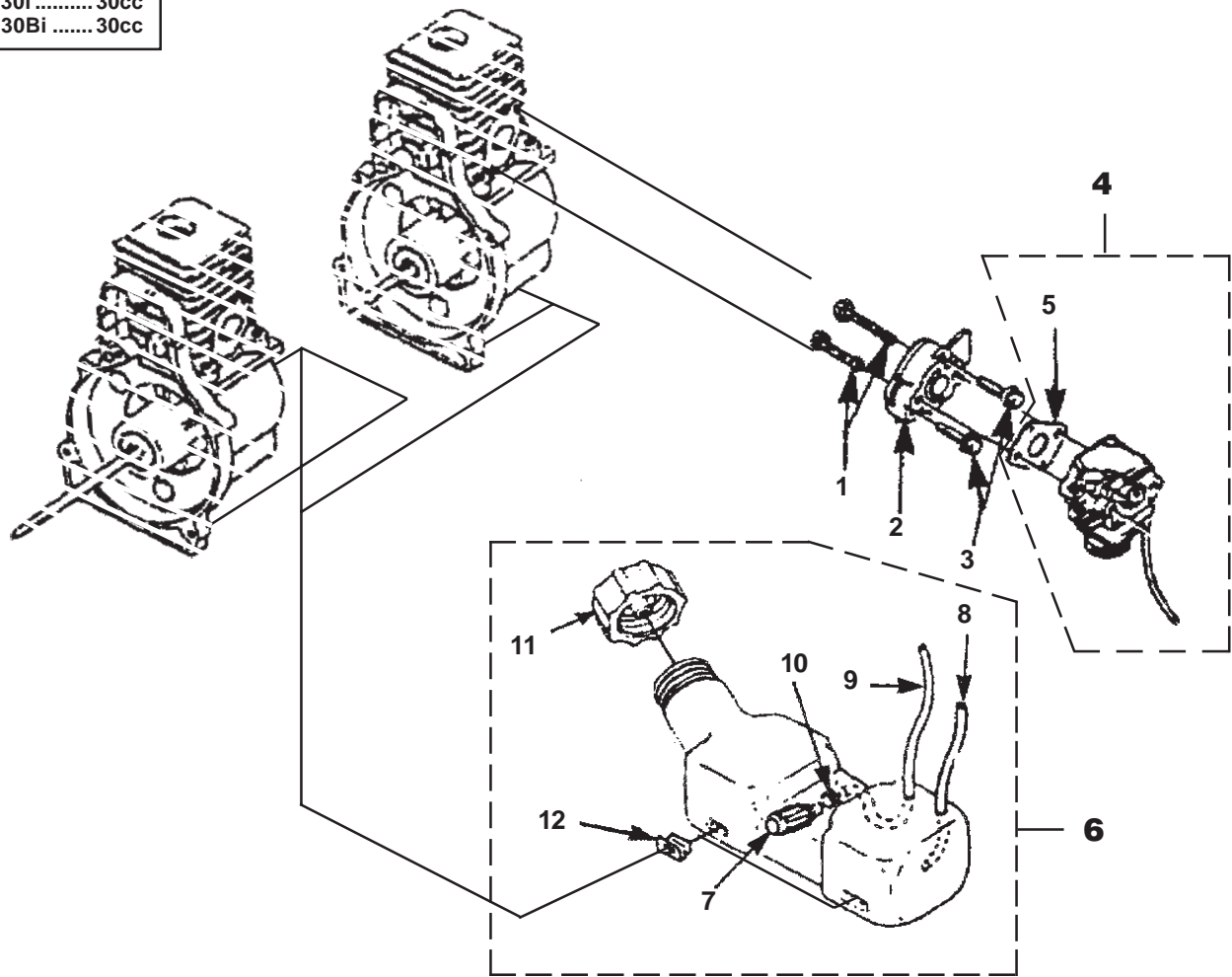
No.	Part No.	Description	Qty
1	• A 07135 A	SHORT BLOCK (30CC Clutch)	1
2	• A 03599	30CC PISTON & ROD	1
3	03179	RING-Piston	2
4	•UP 07146	30CC CYLINDER KIT	1
5	04388 B	GASKET-Cylinder	1
6	06900 A	GASKET-Heat Dam	1
7	08661	GASKET-Crankcase Cover	1
8	88084 1	SCREW, SEMS (12-24 x .750)	3
9	69250	KEY-Woodruff	1
10	88081 1	SCREW, SEMS (10-24 x .910)	4
1	• A 09055 A	SHORT BLOCK (25CC Non Clutch)	1
	• A 09056 A	SHORT BLOCK (25CC Clutch)	1
<b>NOTE:</b> Both Short Blocks Include The Following:			
2	• A 07314 B	25CC PISTON & ROD	1
3	96935	RING-Piston	1
4	•UP 07145	25CC CYLINDER KIT	1
5	04388 B	GASKET-Cylinder	1
6	06900 A	GASKET-Heat Dam	1

No.	Part No.	Description	Qty
7	08661	GASKET-Crankcase Cover	1
8	88084 1	SCREW, SEMS (12-24 x .750)	3
9	69250	KEY-Woodruff	1
10	88081 1	SCREW, SEMS (10-24 x .910)	4
11	•A 00858	CRANKCASE COVER	1
7	08661	GASKET-Crankcase Cover	1
12	82541	SCREW-Plastite (#10 X 1/2")	2
13	•A 00254 A	WIRE GUARD KIT	1
14	88049	SCREW-Hex Sems (10-24 X 1/2")	2
15	81208	NUT (10-24)	2

Item No	Torque Specs		Required Loctite
	In/Lbs	Nm	
8	55-65	6.2-7.3	
10	25-30	2.8-3.4	
12	30-40	3.4-4.5	
14	40-50	4.5-5.6	

ST-155i- ..... 25cc  
 ST-385i ..... 25cc  
 HBC30i ..... 30cc  
 HBC30Bi ..... 30cc

## CARBURETOR - FUEL TANK



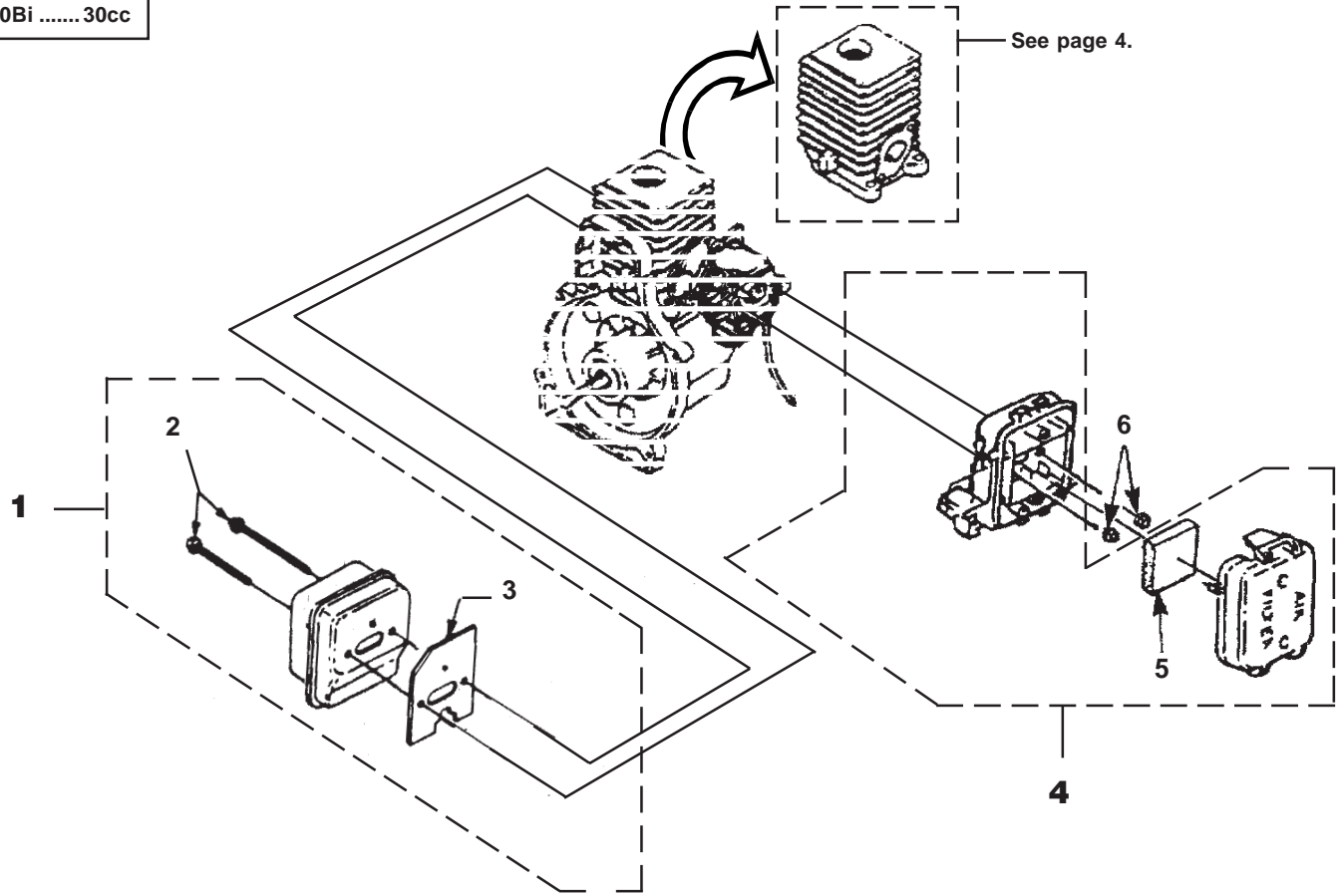
No.	Part No.	Description	Qty
1	04474	SCREW-Machine (10-24 x 2 1/4")	2
2	98768 A	HEAT DAM	1
3	09322 1	SCREW, SEMS (10-24 x 1") *	2
4	• A 04445 A	CARBURETOR KIT	1
5	98766 A	GASKET-Carburetor *	1
6	• A 04447 D	FUEL TANK	1
7	49422	FILTER-Fuel	1
8	01439 32	TUBING-Rubber (8")	1
9	94772 32	TUBING-Rubber (8")	1
10	98268	CLAMP-Wire	1
11	A 00982 B	FUEL CAP	1
12	98792	BUMPER-Rubber	3

Item No	Torque Specs		Required Loctite
	In/Lbs	Nm	
1	30-40	3.4-4.5	
3	40-50	4.5-5.6	Red 262

\* Also included with Short Block and Cylinder Kits.

ST-155i- ..... 25cc  
 ST-385i ..... 25cc  
 HBC30i ..... 30cc  
 HBC30Bi ..... 30cc

# MUFFLER - AIR CLEANER

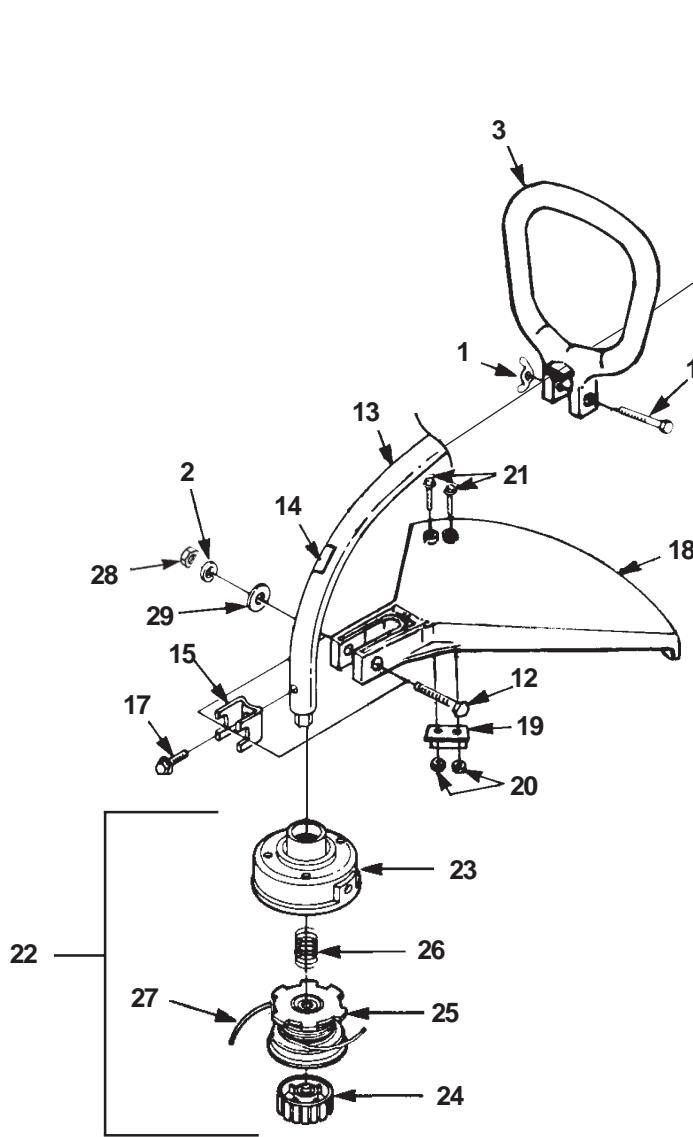


No.	Part No.	Description	Qty
1	• A 07315	MUFFLER COMPLETE	1
2	88060	SCREW-Sems Hex (10-24 X 2 1/2")	2
3	98786 C	GASKET-Muffler *	1
4	• A 04707 A	AIR FILTER KIT	1
5	D 98760 B	FILTER-AIR	1
6	81208	NUT-Hex (10-24)	2

Item No	Torque Specs		Required Loctite
	In/Lbs	Nm	
2	40-50 .....	4.5-5.6	
6	40-50 .....	4.5-5.6	

\* Also included with Short Block and Cylinder Kits.

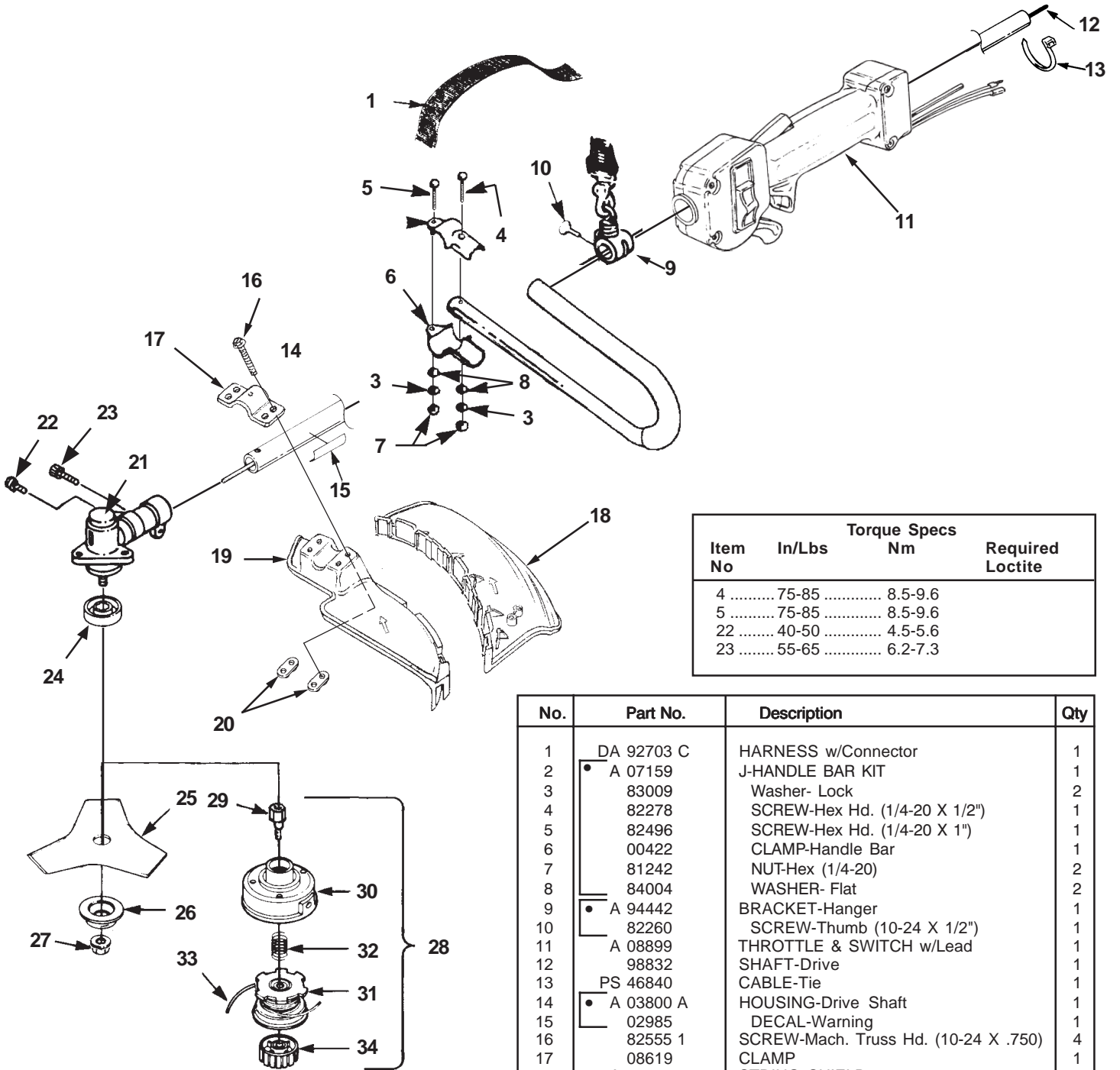
# CURVED SHAFT BOOM - HANDLE - THROTTLE - STRINGHEAD - GRASS DEFLECTOR



Item No	In/Lbs	Torque Specs	
		Nm	Required Loctite
7	15-25	1.7-2.8	
17	15-25	1.7-2.8	
21	15-20	1.7-2.8	

No.	Part No.	Description	Qty
1	93992	NUT-Wing	2
2	83009	WASHER-Lock (1/4")	1
3	A 04709	HANDLE-Front	1
4	• A 03911 1	HANDLE GRIP ASSEMBLY	1
5	08833	TRIGGER	1
6	A 03006	CABLE-Throttle	1
7	82368	SCREW-Thread Form. (#8 X 3/4")	5
8	72084 A1	NUT-Toggle Switch	1
9	93653	TOGGLE SWITCH	1
10	A 03912	LEAD-Electrical	1
11	A 98919 A	LEAD-Ground	1
12	80295	SCREW-Cap Hex Hd. (1/4-20 x 2")	2
13	• A 08738	HOUSING-Driveshaft	1
14	02985	DECAL-Starting Inst.	1
15	07928	CLAMP	1
16	98816	SHAFT-Flexible	1
17	88077	SCREW-Thread Form. (#10 x 1/2")	1
18	• A 04704	DEFLECTOR 100°	1
	• A 04705	DEFLECTOR 55°	
19	07129	BLADE-Cut-Off	1
20	81261	NUT-Hex (10-24)	2
21	82531	SCREW-Mach. Hex Hd. (10-24 X 1")	2
22	•DA 03001 A	STRINGHEAD COMP. (.080 Dia Line)	1
23	A 98231 A	HOUSING & EYELET-Dual Line	1
24	DA 98866 A	RETAINER-Spool	1
25	•DA 98912 E	SPOOL & STRING (Dual Line) (.080 Dia)	1
26	B 06713	SPRING-Compression	1
27	06511	STRING (.080 Dia) (395 Ft.)	1
28	81242	HEX NUT	1
29	84006	WASHER-Flat (1/4")	1

# STRAIGHT SHAFT BOOM - HANDLE - THROTTLE - STRINGHEAD - GRASS DEFLECTOR



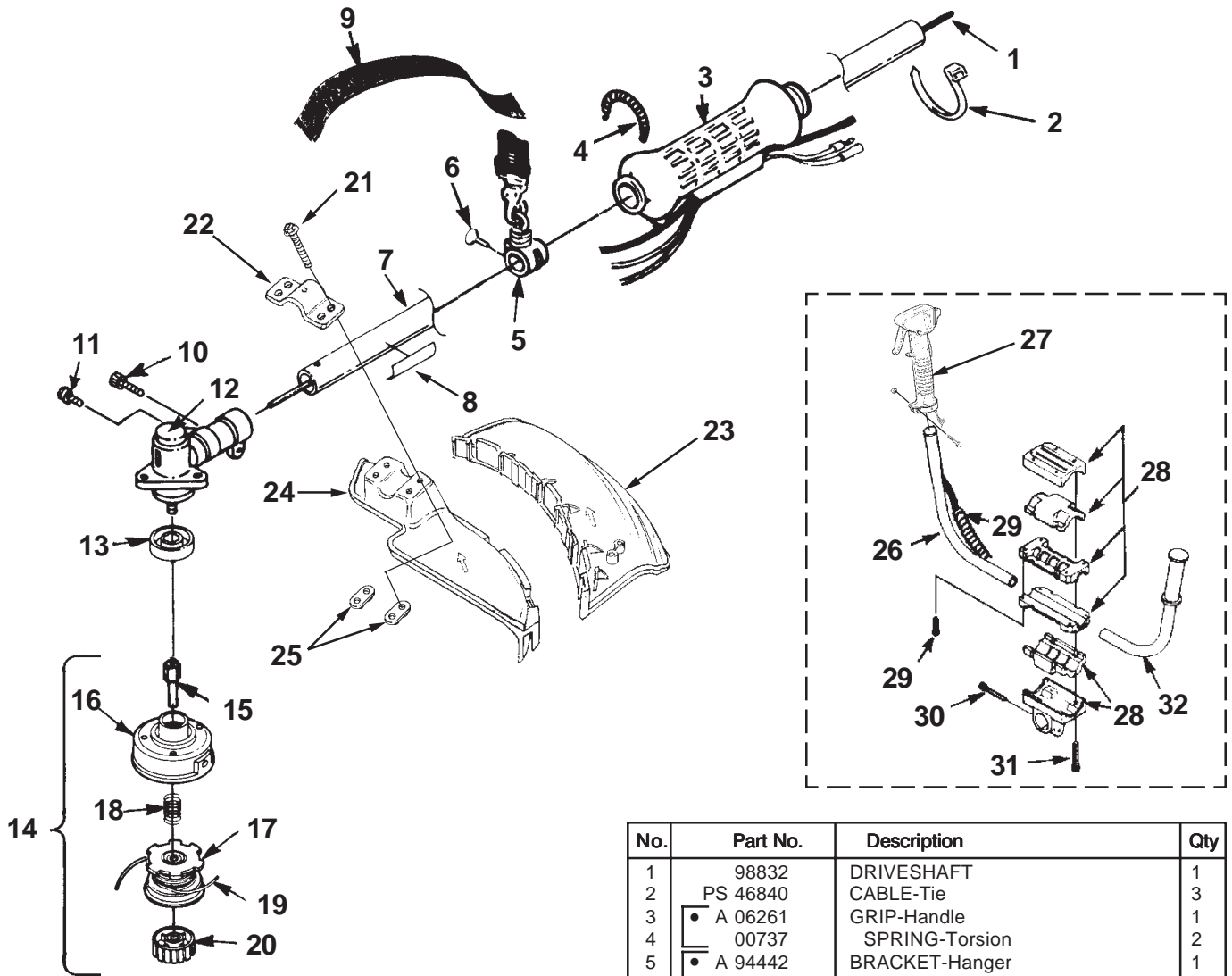
Item No	Torque Specs		Required Loctite
	In/Lbs	Nm	
4	75-85	8.5-9.6	
5	75-85	8.5-9.6	
22	40-50	4.5-5.6	
23	55-65	6.2-7.3	

No.	Part No.	Description	Qty
1	DA 92703 C	HARNES w/Connector	1
2	• A 07159	J-HANDLE BAR KIT	1
3	83009	Washer- Lock	2
4	82278	SCREW-Hex Hd. (1/4-20 X 1/2")	1
5	82496	SCREW-Hex Hd. (1/4-20 X 1")	1
6	00422	CLAMP-Handle Bar	1
7	81242	NUT-Hex (1/4-20)	2
8	84004	WASHER- Flat	2
9	• A 94442	BRACKET-Hanger	1
10	82260	SCREW-Thumb (10-24 X 1/2")	1
11	A 08899	THROTTLE & SWITCH w/Lead	1
12	98832	SHAFT-Drive	1
13	PS 46840	CABLE-Tie	1
14	• A 03800 A	HOUSING-Drive Shaft	1
15	02985	DECAL-Warning	1
16	82555 1	SCREW-Mach. Truss Hd. (10-24 X .750)	4
17	08619	CLAMP	1
18	A 08152	STRING SHIELD	1
19	08573	BLADE GUARD	1
20	A 08139	MOUNTING PLATE	1
21	A 03888	GEAR HEAD	1
22	88049	SCREW-Sems Hex Hd. (10-24 X 1/2")	1
23	82586	SCREW-Cap Socket Hd. (1/4-20 x 7/8")	1
24	04168 1A	WASHER-Flange	1
25	D 98717 C	BLADE-Tri-Arc	1
26	04409	WASHER-Flange	1
27	04277	NUT-Hex (L.H.)	1
28	• DA 03174 A	STRINGHEAD COMPLETE	1
29	98551 41	CONNECTOR-Drive	1
30	A 98231 A	HOUSING & EYELET (Dual Line)	1
31	• DA 02598 C	SPOOL & STRING (Dual Line)	1
32	B 06713	SPRING-Compression	1
33	D 06514	LINE-Replacement (.095" Dia.) (285')	1
34	A 97910 A	RETAINER-Spool (L.H.) (Red)	1



HBC30i ..... 30cc  
HBC30Bi ..... 30cc

# STRAIGHT SHAFT BOOM - HANDLE - THROTTLE - STRINGHEAD - GRASS DEFLECTOR



Item No	In/Lbs	Torque Specs		Required Loctite
		In/Lbs	Nm	
10	55-65	6.2-7.3		
11	40-50	4.5-5.6		

No.	Part No.	Description	Qty
1	98832	DRIVESHAFT	1
2	PS 46840	CABLE-Tie	3
3	• A 06261	GRIP-Handle	1
4	00737	SPRING-Torsion	2
5	• A 94442	BRACKET-Hanger	1
6	82260	SCREW-Thumb (10-24 X 1/2")	1
7	• A 03800 A	HOUSING-Driveshaft	1
8	02985	DECAL-Warning	1
9	DA 92703 C	HARNESS w/Connector	1
10	82586	SCREW-Cap Socket Hd. (10-24 X 1")	2
11	88049	SCREW-Sems Hex Hd. (10-24 X 1/2")	1
12	A 03888	GEAR HEAD	1
13	04168 1A	WASHER-Flanged	1
14	• DA 03174 A	STRINGHEAD COMPLETE	1
15	98551 41	CONNECTOR-Drive	1
16	A 98231 A	HOUSING & EYELET (Dual Line)	1
17	• DA 02598 C	SPOOL & STRING (Dual Line)	1
18	B 06713	SPRING-Compression	1
19	D 06514	LINE-Replacement (.095" Dia.) (285')	1
20	A 97910 A	RETAINER-Spool (L.H.) (Red)	1
21	82555 1	SCREW-Mach. Tr. Hd. (10-24 X .750)	4
22	08619	CLAMP	1
23	A 08152	STRING SHIELD	1
24	08573	BLADE GUARD	1
25	A 08139	MOUNTING PLATE	2
26	• A 08852	HANDLE BAR & CONTROL GRIP	1
27	A 08850	BIKE CONTROL GRIP	1
28	• A 07304	BRACKET-Handle Bar	1
29	00605	SCREW-Soc. Hd.	1
30	03942	SCREW-Hex Hd.	4
31	03944	SCREW-Hex Hd.	4
32	A 03268 A	HANDLE BAR & GRIP	1

## ACCESSORIES

GREASE, MULTI-PURPOSE ..... 18453	REPLACEMENT STRING (3 lb. Box) (.080" Dia.) ..... 98011 06
THREAD LOCKING COMPOUND ..... 23488 C	REPLACEMENT STRING (3 lb. Box) (.095" Dia.) ..... 03959 04
MODULE AIR GAP SHIM ..... PS 24306	TORX BIT (T25) ..... 24982 03 (For Clutch Drums)
IGNITION TEST SPARK PLUG ..... JA 31316 4	TORX BIT (T27) ..... 18566 01
RUBBER TUBING (10 Ft.) ..... 94772 99	STRINGHEAD-Complete ..... DA 03001 A (.080 Line) (Right Hand Thread) (Black Retainer) (ST-155i)
STARTER ROPE (250 Ft. Reel) ..... 98052 A	STRINGHEAD-Complete ..... DA 03174 A (.095 Line) (Left Hand Thread) (Red Retainer) (ST-385i, HBC30i, HBC30Bi)
ST FASTENER KIT ..... A 04709	

CLUTCH MODELS		NON-CLUTCH MODELS
<b>ST-385</b>	<b>HBC-30</b>	<b>ST-155</b>
<b>HBC-30B</b>		

**HEADQUARTERS**  
**John Deere Consumer Products, Inc.**  
 P.O. BOX 7047  
 CHARLOTTE, N.C. 28241

<b>OVERSEAS OFFICES</b> <b>EUROPE, AFRICA &amp; MIDDLE-EAST</b> <hr/> <b>Homelite Netherlands B.V.</b> A Deere & Company Affiliate Haverstraat 24 2153 GB Nieuw Vennep The Netherlands		<b>CANADIAN OFFICE</b> <b>Homelite Canada Limited</b> <b>Homelite Canada Limitée</b> <hr style="width: 50%; margin: 10px auto;"/> A Deere & Company Affiliate/ Une Filiale de Deere & Company 1850-55e/th Avenue Lachine, Québec, Canada H8T 3J5 1-800-363-5715
<b>FRANCE</b> <hr style="width: 50%; margin: 0 auto;"/> <b>Homelite Atlantic SARL</b> Groupe Deere & Co. Rue du Paradis - BP 231 - Ormes 45144 Saint-Jean-De-La-Ruelle Cedex France	<b>AUSTRALIA</b> <hr style="width: 50%; margin: 0 auto;"/> <b>Homelite Pacific Ltd.</b> A Deere & Company Affiliate ACN 008 683 538 94 Rushdale Street P.O. Box 555 MDA Australia	