

SABRE[®]

PARTS LIST

S25 - (UT20561-C, D, E, F)

S25C - (UT20560-E, F, G)

S25BC - (UT15100-A)

S27 - (UT20603, A)

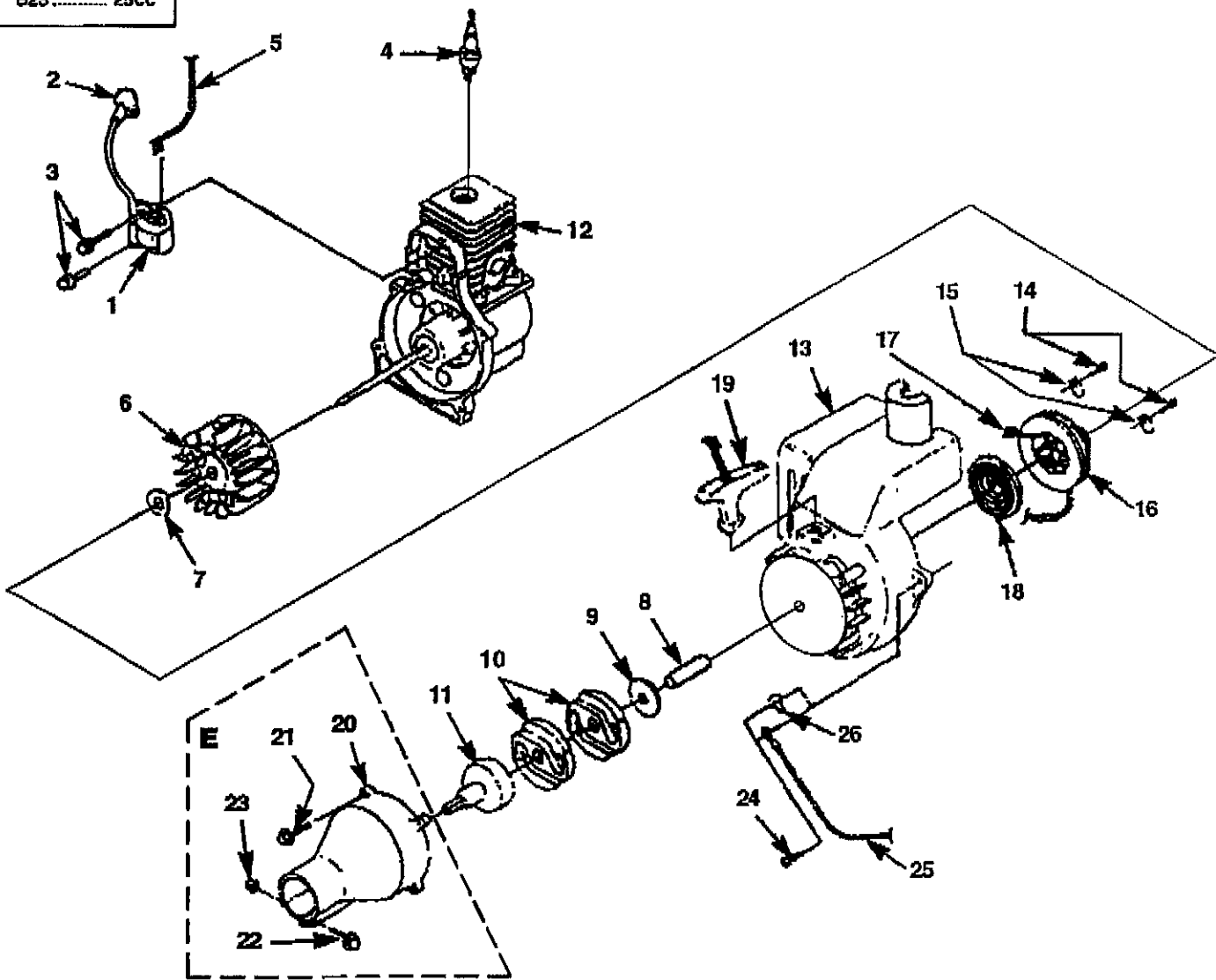
B25 - (UT15055-D, E, F)



PART NO. 18812-D
Printed in U.S.A.

IGNITION - ROTOR - STARTER - CLUTCH

S25BC 25cc
 S25C 25cc
 B25 25cc



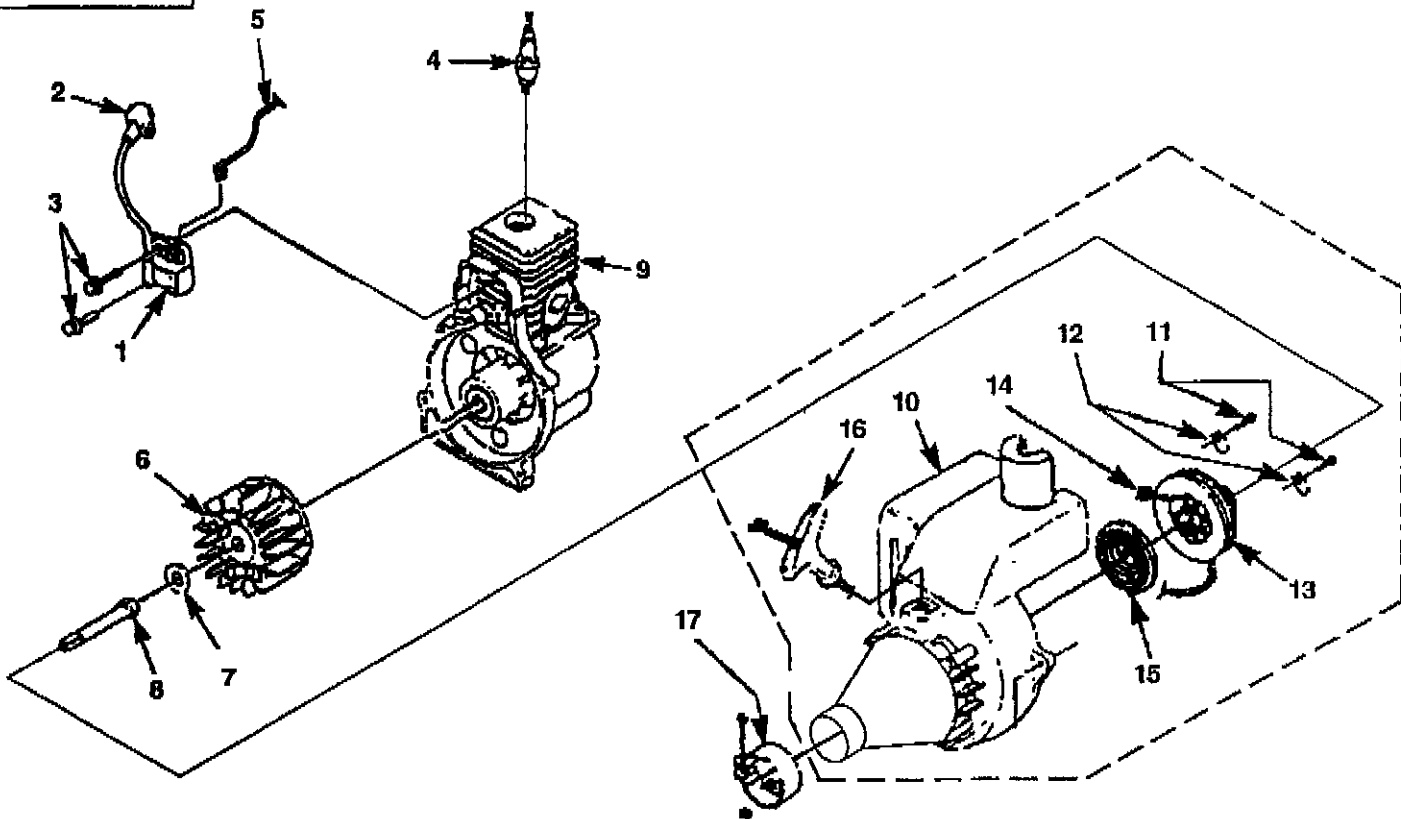
No.	Part No.	Description	Qty
1	94711 CS	MODULE-Ignition	1
2	A 33055	TERMINAL & COVER	1
3	82540	SCREW-Taprite (8-32 X 1")	2
4	79252	SPARK PLUG	1
5	A 00681	LEAD-Electrical	1
6	A 04158 S	ROTOR KIT	1
7	95479 A	WASHER-Flat	1
8	03566 1	SPACER	1
9	98929 A	WASHER-Flat	1
10	00242	CLUTCH	2
11	A 02727	CONNECTOR & DRUM	1
12		SHORT BLOCK (Ref. Pg. 4, Item 1)	1
13	A 02097 B	STARTER HOUSING	1
14	82541	SCREW-Plastite (#10-1/2")	2
15	98791	BRACKET-Retaining	2
16	98770 A	PULLEY-Starter	1
17	97899 02	ROPE-Starter (42")	1
18	A 98773 A	SPRING & CONTAINER	1
19	02264	GRIP-Starter	1
20	A 02396 A	TUBE ADAPTER	1
21	88052	SCREW-Hex Hd. (10-24 X 7/8")	4
22	98624	SCREW-Sems Hex Hd. (10-24 X 1 1/8")	1
23	81208	NUT (10-24)	1

No.	Part No.	Description	Qty
24	82538	SCREW-Taprite (10-24 X 3/4")	4
25	A 98919 A	LEAD-Ground	1
26	02851	TERMINAL-Male	1

Item No	Torque Specs		Required Loctite
	In/Lbs	Nm	
3	30-40	3.4-4.5	
4	120-180	13.6-20.3	
14	30-40	3.4-4.5	
21	30-40	3.4-4.5	
23	40-50	4.5-5.6	
24	55-60	6.2-6.8	

S25 25cc
 S27 25cc

IGNITION - ROTOR - STARTER

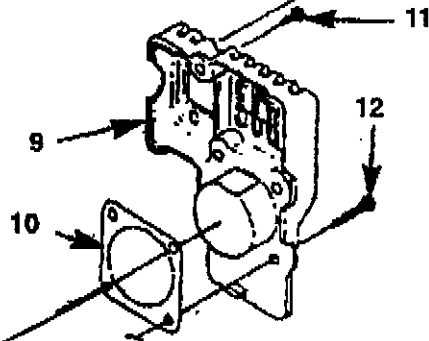
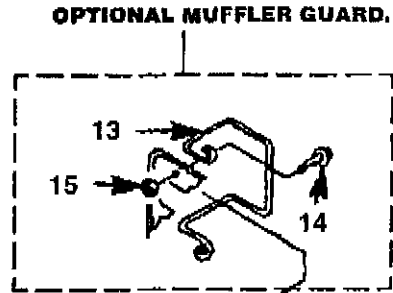
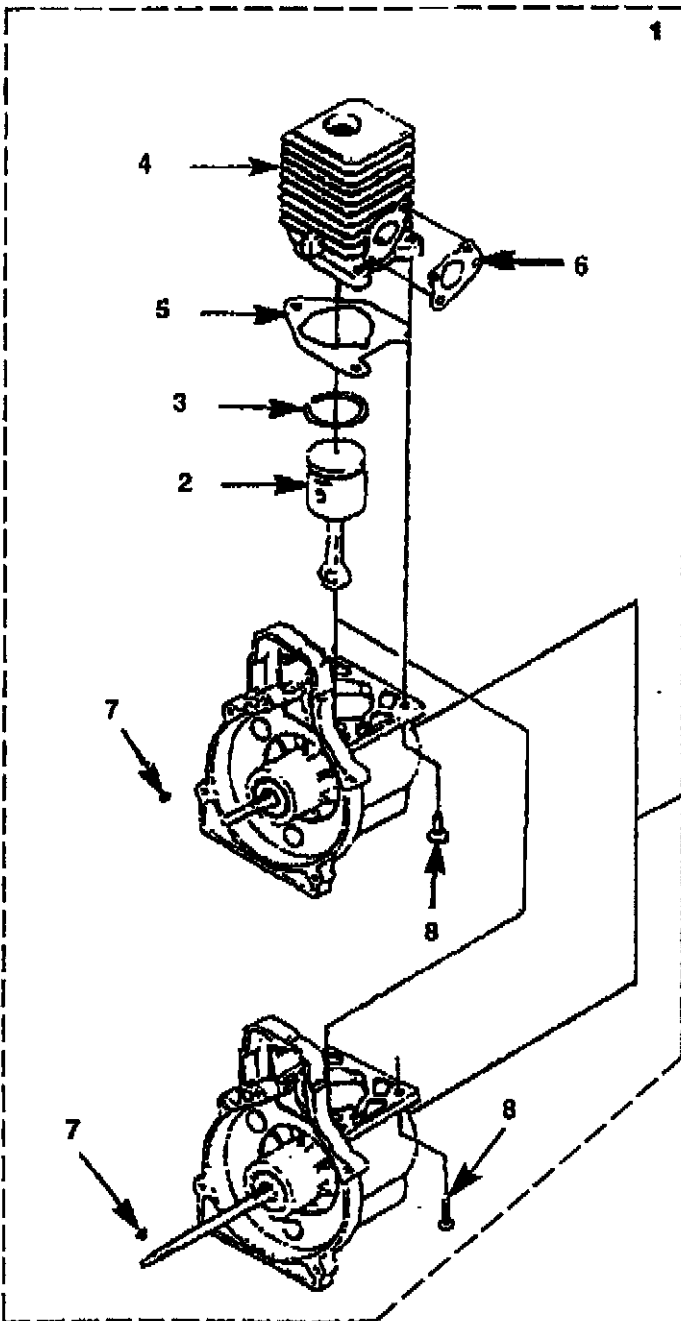


No.	Part No.	Description	Qty
1	94711 CS	MODULE-Ignition	1
2	A 33055	TERMINAL & COVER	1
3	82540	SCREW-Taplite (8-32 X 1")	2
4	79252	SPARK PLUG	1
5	A 07298	LEAD-Electrical	1
6	A 04158 S	ROTOR KIT	1
7	95479 A	WASHER-Flat	1
8	98795 A	CONNECTOR-Drive	1
9		SHORT BLOCK (Ref. Pg. 4, Item 1)	1
10	A 02096 B	STARTER HOUSING	1
11	82541	SCREW-Plastite (#10-1/2")	2
12	98791	BRACKET-Retaining	2
13	98770 A	PULLEY-Starter	1
14	97899 02	ROPE-Starter (42")	1
15	A 98773 A	SPRING & CONTAINER	1
16	02264	GRIP-Starter	1
17	08469	CLAMP w/fasteners	1

Item No	Torque Specs		Required Loctite
	In/Lbs	Nm	
3	30-40	3.4-4.5	
4	120-180	13.6-20.3	
11	30-40	3.4-4.5	

ENGINE INTERNAL

S25	25cc
S25C	25cc
S25BC	25cc
S27	25cc
B25	25cc

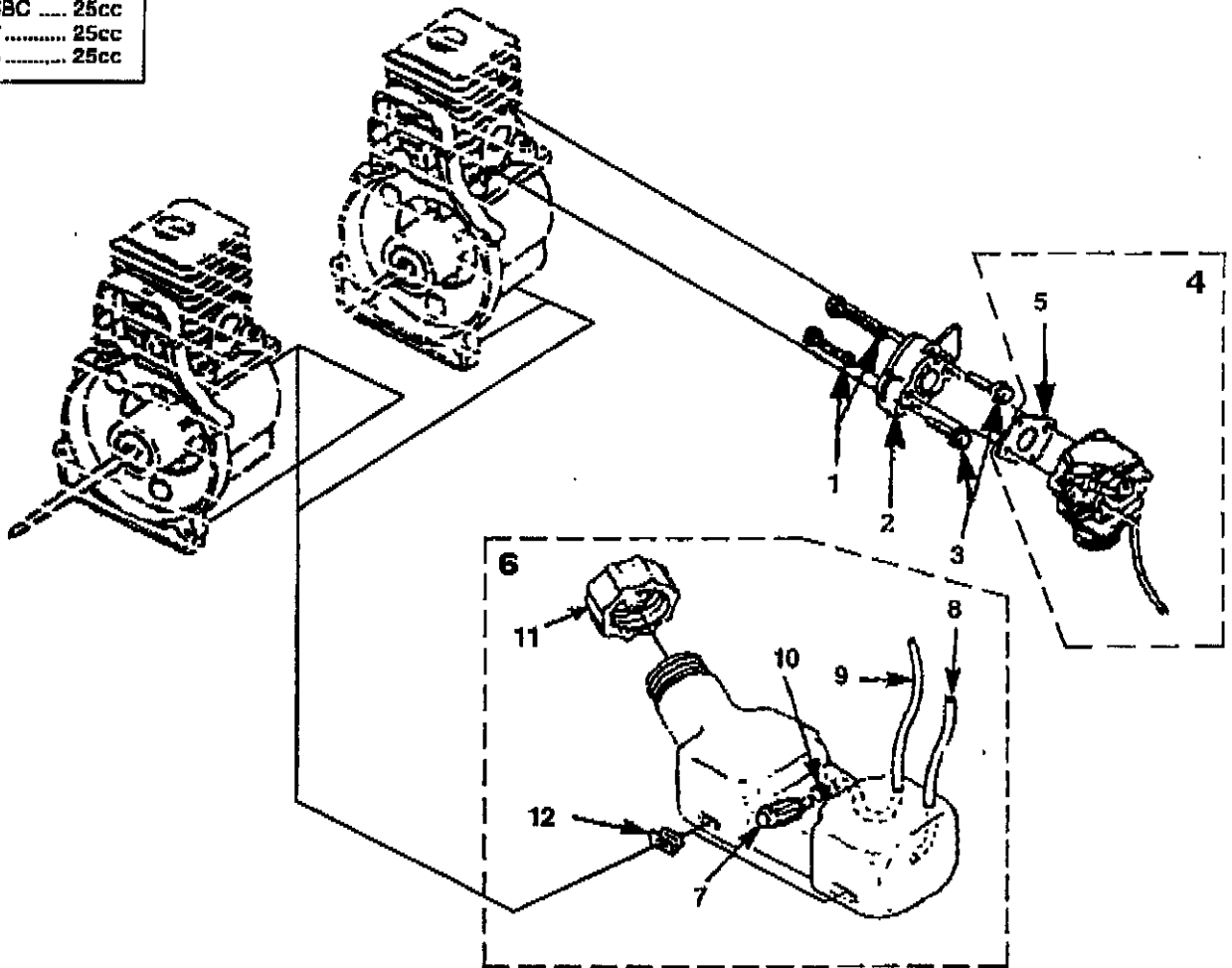


Item No	In/Lbs	Torque Specs		Required Loctite
		Nm		
8	55-65	6.2-7.3		
11	30-40	3.4-4.5		
12	25-30	2.6-3.4		
14	40-50	4.5-5.6		

No.	Part No.	Description	Qty
1	•A 09055	SHORT BLOCK (25CC Non Clutch)	1
	•A 09056	SHORT BLOCK (25CC Clutch)	1
NOTE: Both Short Blocks Include The Following:			
2	•A 07314	25CC PISTON & ROD	1
3	96935	RING-Piston	1
4	•A 07145	25CC CYLINDER KIT	1
5	04388 B	GASKET-Cylinder	1
6	08840	GASKET-Heat Dam	1
7	69250	KEY-Woodruff	1
8	82569 1	SCREW-Thread Forming (10-24 X 3/4")	3
9	•A 00858	CRANKCASE COVER	1
10	98767 A	GASKET-Crankcase Cover	1
11	82541	SCREW-Plastite (#10 X 1/2")	2
12	82536	SCREW-Taptite (10-24 X 1/2")	4
13	•A 00254 A	WIRE GUARD KIT	1
14	88049	SCREW-Hex Sems (10-24 X 1/2")	2
15	81208	NUT (10-24)	2

S25 25cc
 S25C 25cc
 S25BC 25cc
 S27 25cc
 B25 25cc

CARBURETOR - FUEL TANK

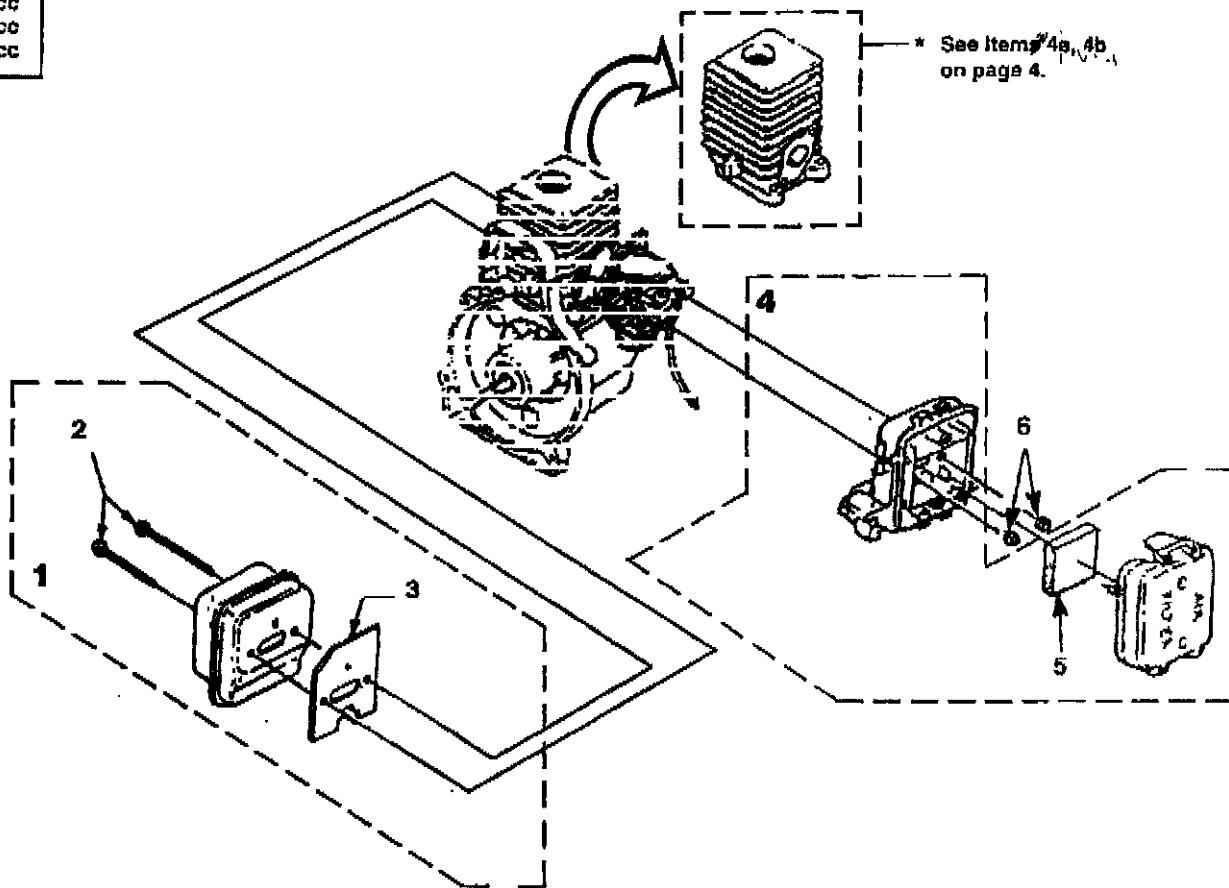


No.	Part No.	Description	Qty
1	04474	SCREW-Machine (10-24 X 2 1/4")	2
2	98768	HEAT DAM	1
3	82549-1	SCREW-Taptite (10-24 X 1")	2
4	*A 04445 A	CARBURETOR KIT	1
5	98768 A	GASKET-Carburetor	1
6	*A 04447 C	FUEL TANK	1
7	49422	FILTER-Fuel	1
8	01439 32	TUBING-Rubber (8")	1
9	94772 32	TUBING-Rubber (8")	1
10	98268	CLAMP-Wire	1
11	A 00982 B	FUEL CAP	1
12	98792	BUMPER-Rubber	3

Item No	Torque Specs		Required Loctite
	In/Lbs	Nm	
1	30-40	3.4-4.5	
3	40-50	4.5-5.6	Red 262

MUFFLER - AIR CLEANER

S25 25cc
 S25C 25cc
 S258C 25cc
 S27 25cc
 B25 25cc

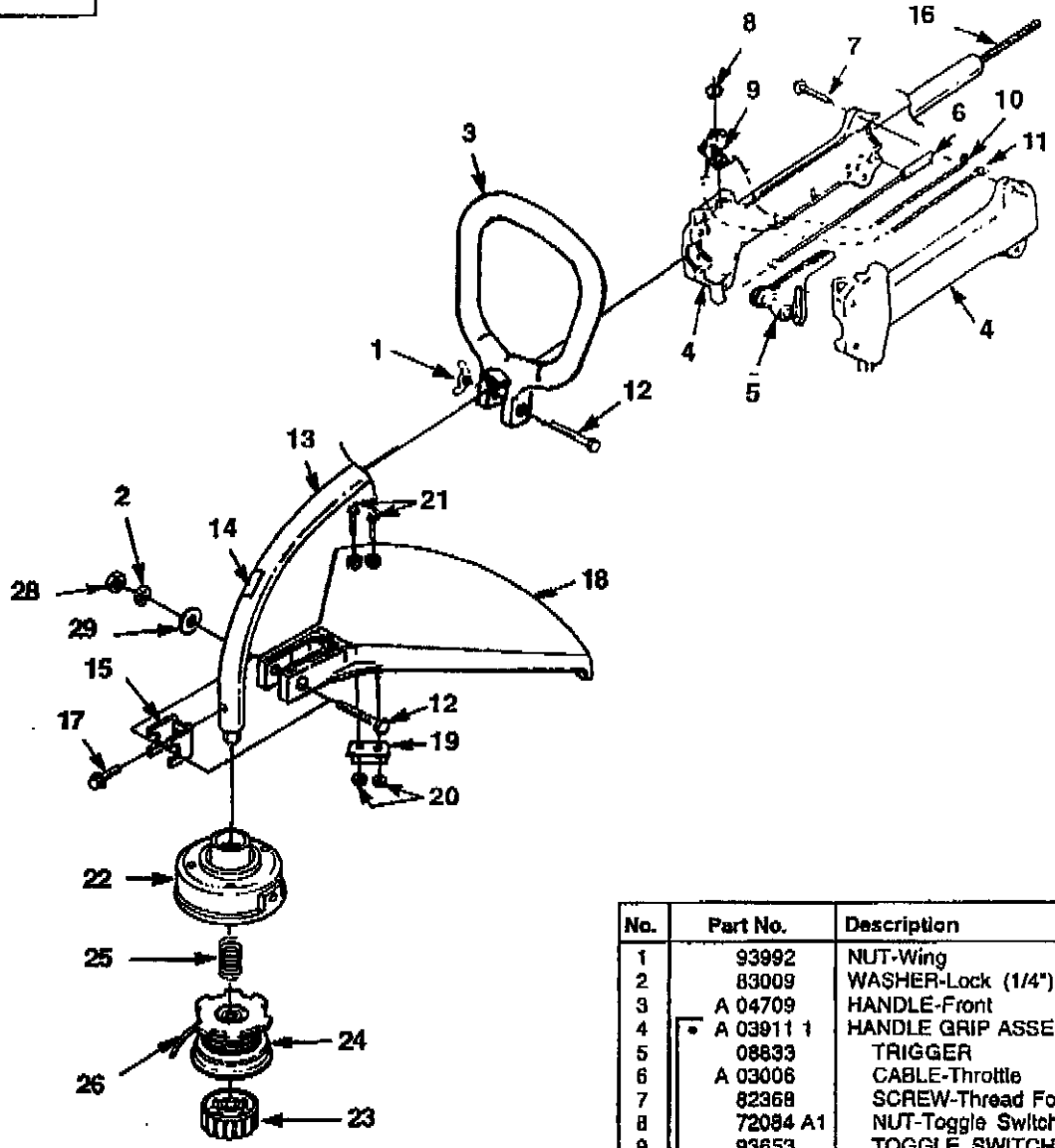


No.	Part No.	Description	Qty
1	•A 07315	MUFFLER COMPLETE	1
2	88060	SCREW-Sams Hex (10-24 X 2 1/2")	2
3	98786 C	GASKET-Muffler (Also Included with *)	1
4	•A 04707 A	AIR FILTER KIT	1
5	D 98760 B	FILTER-AIR	1
6	81208	NUT-Hex (10-24)	2

Item No	In/Lbs	Torque Specs		Required Loctite
		Nm		
2	40-50	4.5-5.6		
6	40-50	4.5-5.6		

S25 25cc
 S25C 25cc
 S27 25cc

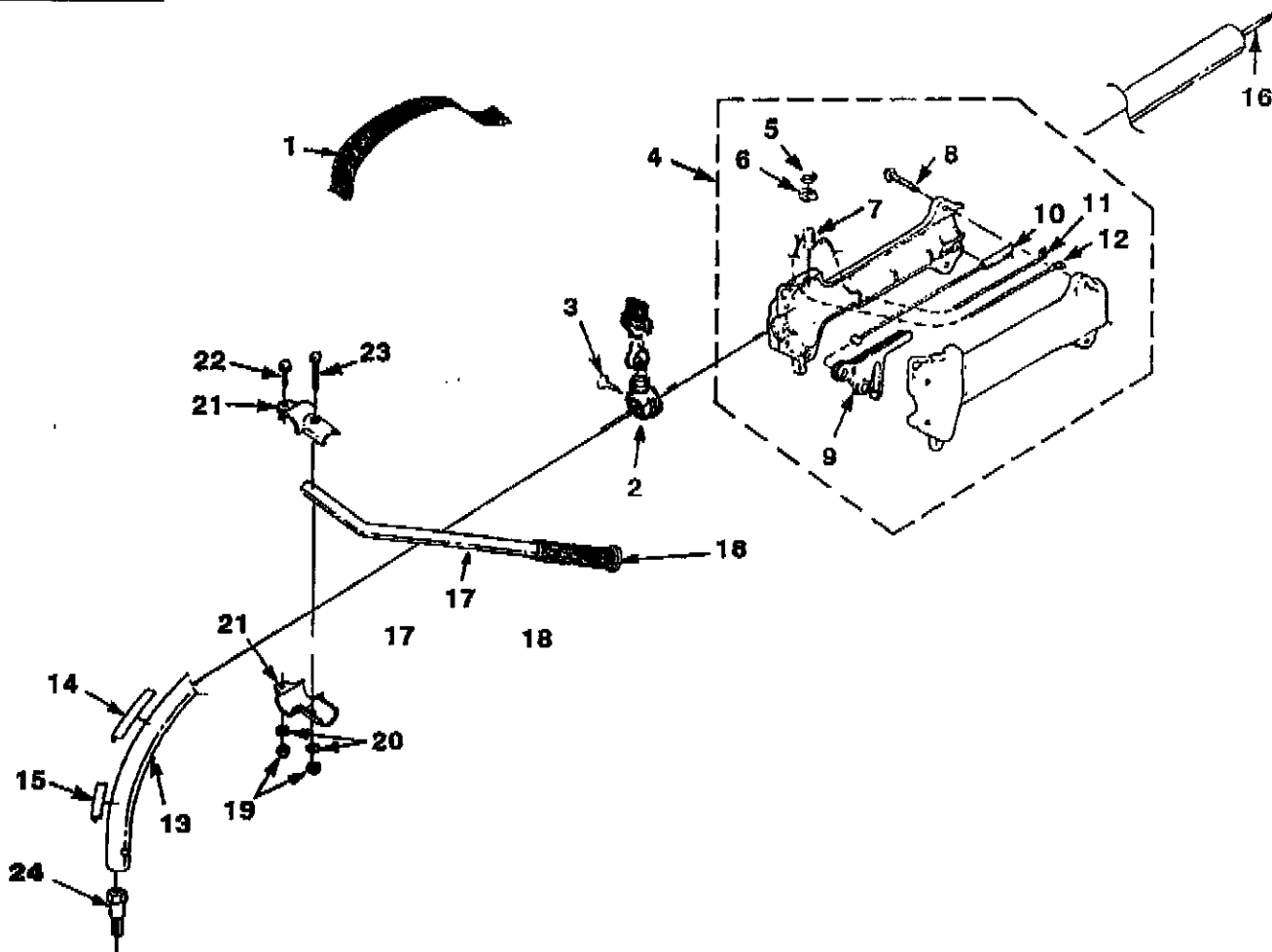
CURVED SHAFT BOOM - HANDLE - THROTTLE - STRINGHEAD - GRASS DEFLECTOR



Item No	Torque Specs		Required Loctite
	In/Lbs	Nm	
7	15-25	1.7-2.8	
17	15-25	1.7-2.8	
21	15-20	1.7-2.8	

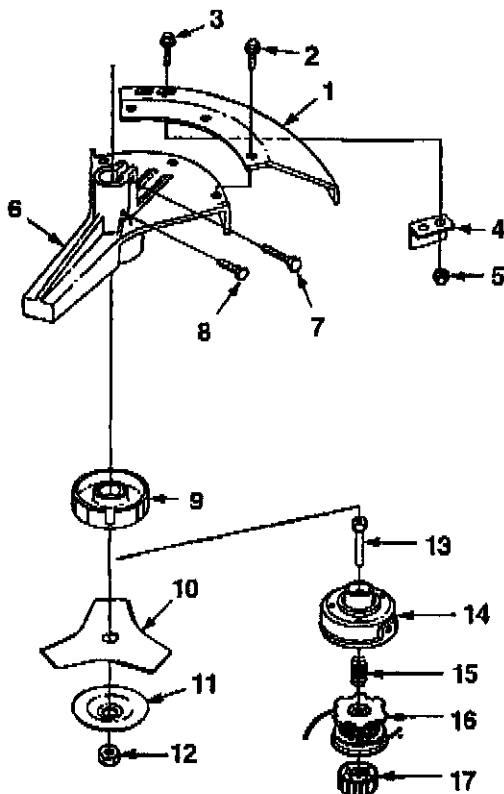
No.	Part No.	Description	Qty
1	93992	NUT-Wing	2
2	83009	WASHER-Lock (1/4")	1
3	A 04709	HANDLE-Front	1
4	• A 03911 1	HANDLE GRIP ASSEMBLY	1
5	08833	TRIGGER	1
6	A 03006	CABLE-Throttle	1
7	82368	SCREW-Thread Form. (#8 X 3/4")	5
8	72094 A1	NUT-Toggle Switch	1
9	93653	TOGGLE SWITCH	1
10	A 03912	LEAD-Electrical	1
11	A 98919 A	LEAD-Ground	1
12	80295	SCREW-Cap Hex Hd. (1/4-20 x 2")	2
13	• A 08738	DRIVESHAFT HOUSING w/spacer	1
14	02985	DECAL-Warning	1
15	07928	CLAMP	1
16	98816	SHAFT-Flexible	1
17	88077	SCREW-Thread Form. (#10 X 1/2")	1
18	00130	DEFLECTOR (S25, S27)	1
	02610	DEFLECTOR (S25C)	1
19	• A 03834	BLADE-Cut-Off (S25)	1
	• A 03832	BLADE-Cut-Off (S25C, S27)	1
20	81261	NUT-Hex (10-24)	2
21	82531	SCREW-Mach. Hex Hd. (10-24 X 1")	2
22	A 98231 A	HOUSING & EYELET-Dual Line	1
23	DA 98866 A	RETAINER-Spool	1
24	• DA 98912 E	SPOOL & STRING (.080 Dia)	1
25	B 06713	SPRING-Compression	1
26	06511	STRING (.080 Dia) (395 Ft.)	1
27	81242	HEX NUT	1
28	84006	WASHER-Flat (1/4")	1

SHAFT - HANDLE - THROTTLE



No.	Part No.	Description	Qty
1	DA 92703 C	HARNESSE w/Connector	1
2	A 94442	BRACKET-Hanger	1
3	82260	SCREW-Thumb (10-24 X 1/2")	1
4	A 03911 1	HANDLE GRIP ASSEMBLY	1
5	72084 A1	NUT-Toggle Switch-Hex Lock	1
6	95231	PLATE-Indicating	1
7	93653	SWITCH-Toggle	1
8	82368	SCREW-Plasite (#8 X 3/4")	4
9	08833	TRIGGER	1
10	A 03006	CABLE-Throttle	1
11	A 03912	LEAD-Electrical	1
12	A 98919 A	LEAD-Ground	1
13	A 03287 B	HOUSING-Drive Shaft (Black)	1
14	04458	DECAL-Starting Instructions	1
15	04493	DECAL-Warning	1
16	98818	SHAFT-Flex	1
17	A 04639	HANDLE BAR	1
18	94474 B	GRIP	1
19	81267	NUT (1/4-20)	2
20	83061	WASHER (1/4")	2
21	00422	CLAMP-Handle Bar	2
22	88078	SCREW-Sems Hex Hd. (1/4-20 X 1")	1
23	88071	SCREW-Sems Hex Hd. (1/4-20 X 1/2")	1
24	98834 A	SHAFT-Spindle	1

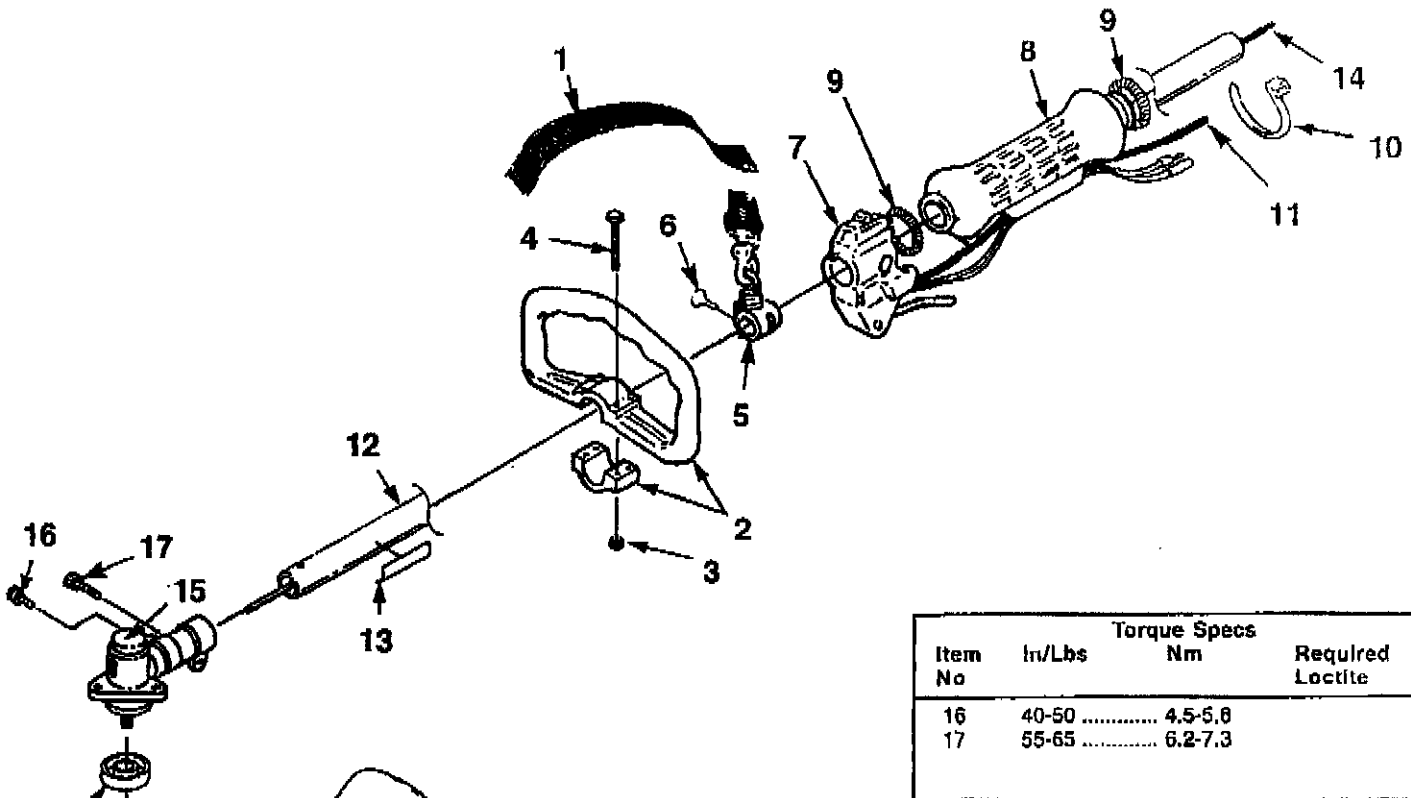
Item No	Torque Specs		Required Loctite
	In/Lbs	Nm	
5	18-24	2.0-2.7	
8	15-25	1.7-2.8	
22	75-85	8.5-9.6	
23	75-85	8.5-9.6	

SPOOL & STRING - DEFLECTOR

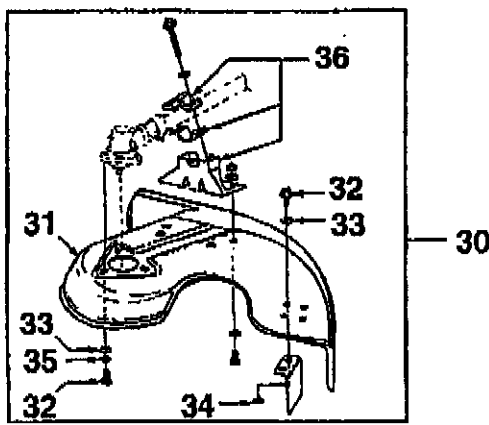
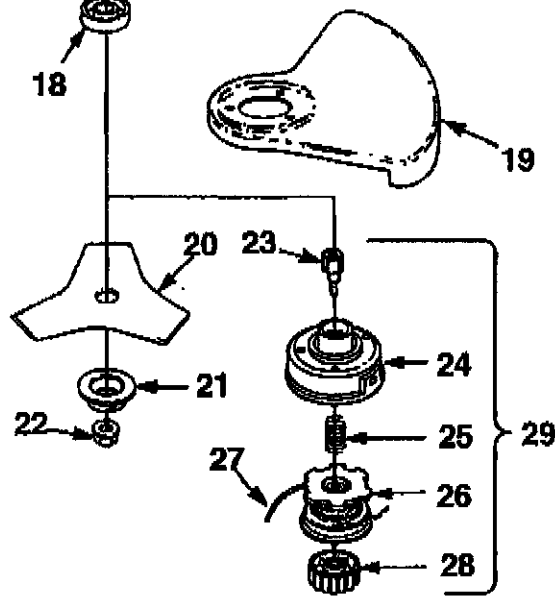
No.	Part No.	Description	Qty
1	A 04706	DEFLECTOR-Grass	1
2	80681 3	SCREW-Mach Hex Hd. (1/4-20 X 1/2")	3
3	80869	SCREW-Mach Hex Hd. (10-24 X 3/8")	2
4	07129	BLADE-Cut-Off	1
5	81208	NUT (10-24)	2
6	A 04457 A	HOUSING-Lower Bearing	1
7	88078	SCREW-Sems Hex Hd. (1/4-20 X 1")	1
8	82450	SCREW-Mach Hex Hd. (10-24 X 3/8")	1
9	98835 1B	WASHER-Flanged	1
10	D 98717 C	BLADE-Tri-Arc (8")	1
11	98836	WASHER-Cupped	1
12	98897	NUT-Hex Locking (R.H.)	1
13	98849	CONNECTOR-Drive	1
14	A 98231 A	HOUSING & EYELET (Dual Line)	1
15	06713	SPRING-Compression	1
16	DA 98912 E	SPOOL & STRING (.080" Line)	1
17	DA 98866 A	RETAINER-Spool (R.H. Thread)	1

Item No	Torque Specs		Required Loctite
	In/Lbs	Nm	
3	20-30	2.3-3.4	Red 262
7	75-85	8.5-9.6	
8	40-50	4.5-5.6	

STRAIGHT SHAFT BOOM - HANDLE - THROTTLE - STRINGHEAD - GRASS DEFLECTOR



Item No	In/Lbs	Torque Specs		Required Loctite
			Nm	
16	40-50	4.5-5.8	
17	55-65	6.2-7.3	



No.	Part No.	Description	Qty
1	DA02703 C	HARNESS w/Connector	1
2	• A 00736	HANDLE-Front	1
3	00677	NUT-Hex (M5 X 0.8)	4
4	00676	SCREW-Hex Hd. (M5 X 0.8 X 35)	4
5	• A 94442	BRACKET-Hanger	1
6	82260	SCREW-Thumb (10-24 X 1/2")	1
7	06275	THROTTLE & SWITCH w/Lead	1
8	A 06261	GRIP-Handle	1
9	00737	SPRING-Tension	2
10	46840	CABLE-Tie	1
11	A 03004	HOUSING-Throttle	1
12	• A 03800 A	HOUSING-Drive Shaft	1
13	02985	DECAL-Warning	1
14	98832	SHAFT-Drive	1
15	A 03888	GEAR HEAD	1
16	88049	SCREW-Sems Hex Hd. (10-24 X 1/2")	1
17	82586	SCREW-Cap Socket Hd. (1/4-20 x 7/8")	1
18	04168 1B	WASHER-Flange	1
19	98847 2	GUARD-Blade	1
20	D 98717 C	BLADE-Tri-Arc	1
21	04409	WASHER-Flange	1
22	04277	NUT-Hex (L.H.)	1
23	98551 41	CONNECTOR-Drive	1
24	A 98231 A	HOUSING & EYELET (Dual Line)	1
25	B 06713	SPRING-Compression	1
26	DA02598 C	SPOOL & STRING (Dual Line)	1
27	D 06514	LINE-Replacement (.095" Dia.)	1
28	A 97910 A	RETAINER-Spool (L.H.) (Red)	1
29	DA03174 A	STRINGHEAD COMPLETE	1
30	• A 03590 B	GRASS DEFLECTOR KIT	1
31	A 04362 03	DEFLECTOR & BLADE	1
32	82298	SCREW-Mach. Hex Hd.	5
33	84003	WASHER-Flat	5
34	81261	NUT-Hex (10-24)	2
35	83046	WASHER-Lock	3
36	A 03404	DEFLECTOR BRACKET KIT	1