

**F2020
HOMELITE
CURVED SHAFT TRIMMER
MODEL NO. UT70121
REPAIR SHEET**

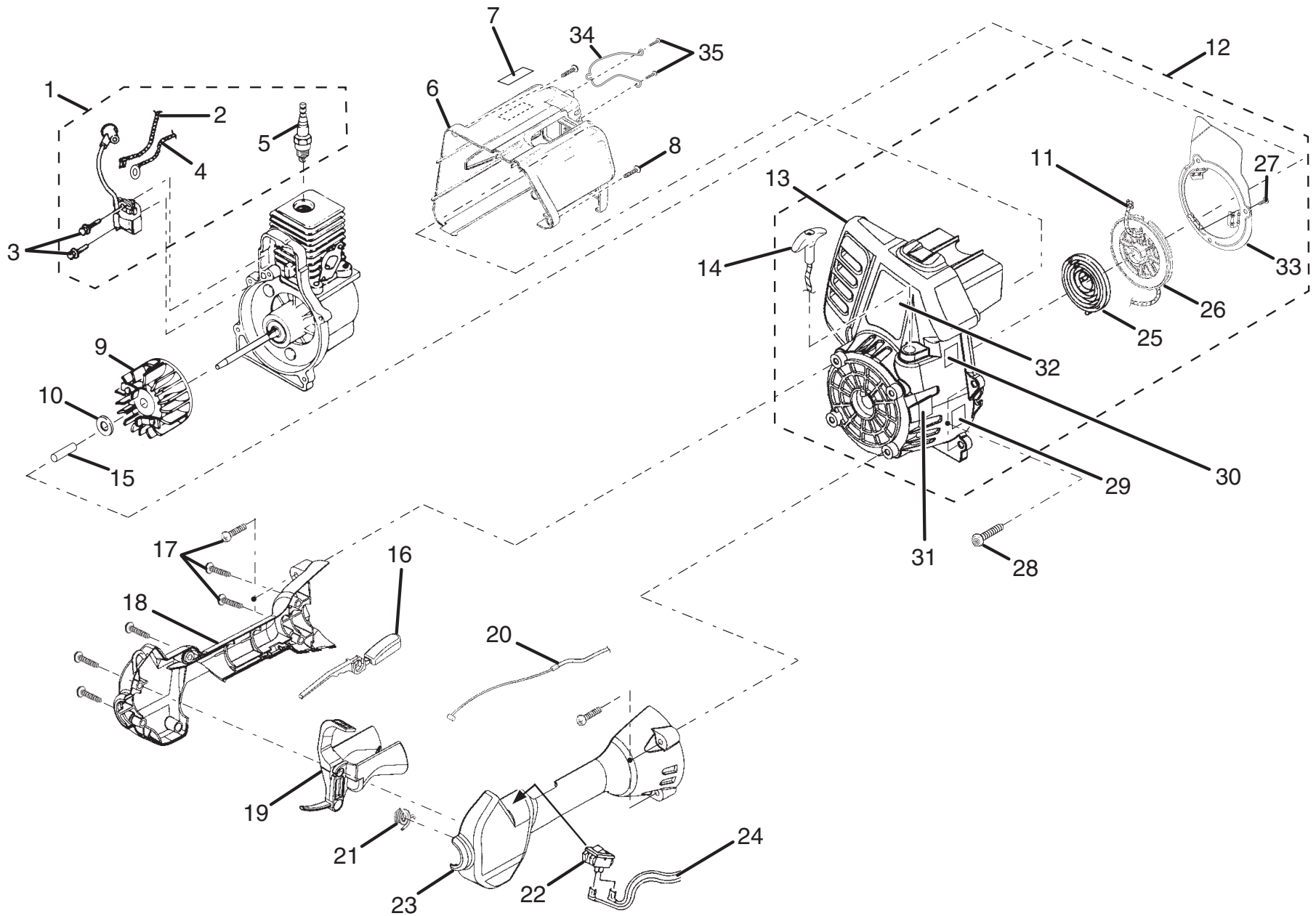


FIGURE A

The model number will be found on a plate attached to the engine housing. Always mention the model number in all correspondence regarding your **STRING TRIMMER** or when ordering repair parts.

PARTS LIST FOR FIGURE A

| NO. | KEY NUMBER | PART DESCRIPTION | QTY. | NO. | KEY NUMBER | PART DESCRIPTION | QTY. |
|-----|------------|----------------------------------|------|-----|------------|-------------------------------|------|
| 1 | 984532001 | IGNITION KIT | 1 | 19 | PS06259 | TRIGGER | 1 |
| 2 | A06963 | ELECTRICAL LEAD | 1 | 20 | PS01177 | THROTTLE CABLE | 1 |
| 3 | 82540 | SCREW | 2 | 21 | PS01718 | SPRING | 1 |
| 4 | A06964 | ELECTRICAL LEAD | 1 | 22 | 07385 | SWITCH | 1 |
| 5 | PS02227 | SPARK PLUG | 1 | 23 | PS01125 | CONTROL HANDLE / LH | 1 |
| 6 | 984633001 | REAR COVER ASSEMBLY | 1 | 24 | PA00387 | ELECTRICAL LEADS | 1 |
| 7 | PS00156 | HOMELITE DECAL | 1 | 25 | A98773A | SPRING & CONTAINER | 1 |
| 8 | 82563 | SCREW | 2 | 26 | PS01122 | STARTER PULLEY | 1 |
| 9 | 984531001 | ROTOR AND PAWL ASSEMBLY | 1 | 27 | 82543 | SCREW | 3 |
| 10 | PS84065 | WASHER | 1 | 28 | 82538 | SCREW | 4 |
| 11 | 9789902 | STARTER ROPE 42 in. | 1 | 29 | 984289001 | DECAL, 113 POWER SOUND | 1 |
| 12 | 984533001 | STARTER ASSEMBLY | 1 | 30 | PS06261 | DECAL, ZIP START | 1 |
| 13 | PA00385 | STARTER HOUSING AND EYELET | 1 | 31 | 06976 | DECAL, CE | 1 |
| 14 | PS00179 | STARTER GRIP | 1 | 32 | PS06275 | DECAL, MODEL | 1 |
| 15 | 98795A | DRIVE CONNECTOR | 1 | 33 | PS01123 | AIR BAFFLE PLATE | 1 |
| 16 | PS06258 | INTERLOCK TRIGGER | 1 | 34 | PS00218 | MUFFLER GUARD | 1 |
| 17 | 82589 | SCREW | 9 | 35 | 82541 | SCREW | 2 |
| 18 | PS01124 | CONTROL HANDLE / RH | 1 | 36 | 03646 | TORX WRENCH (NOT SHOWN) | 1 |

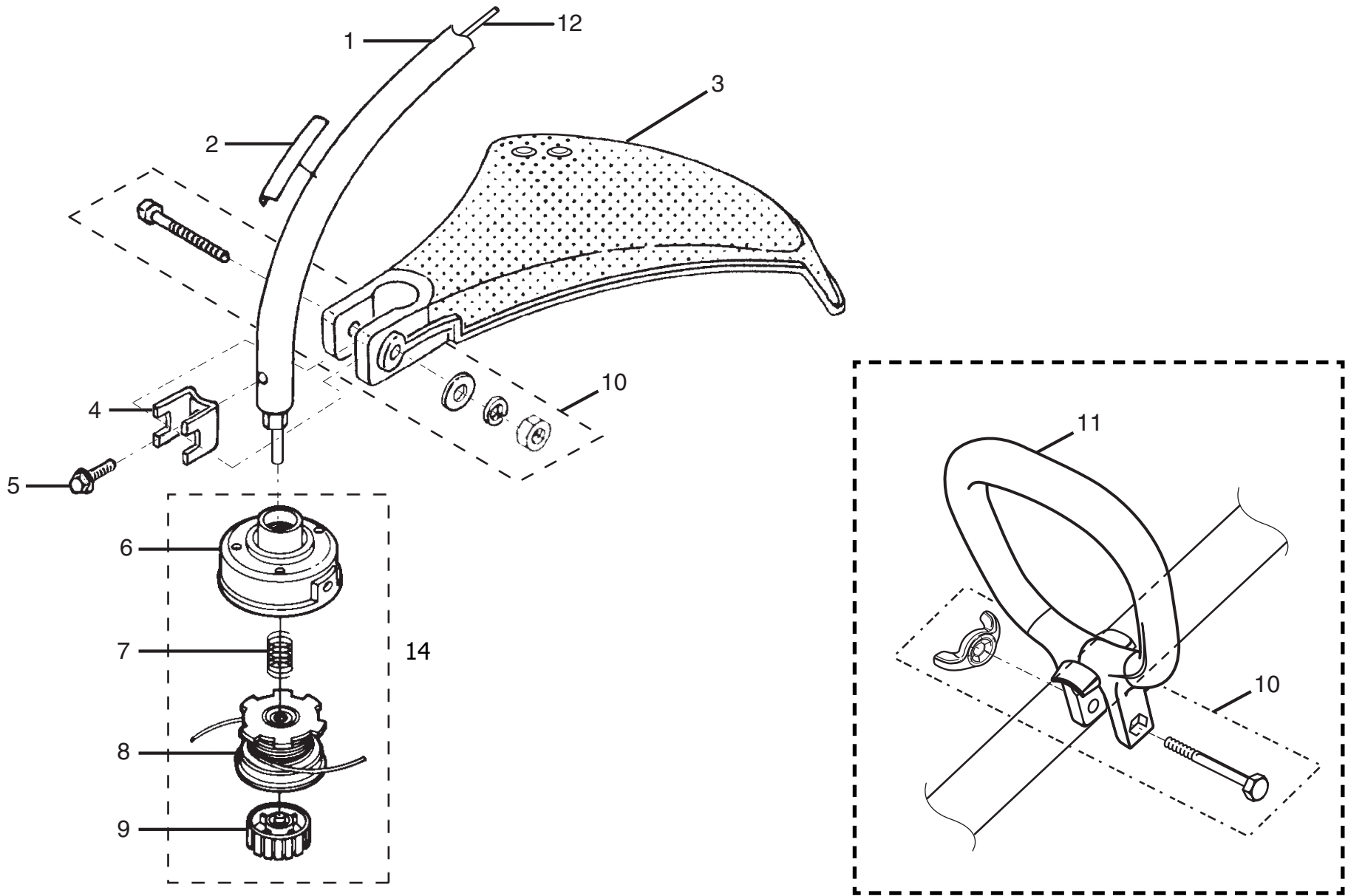


FIGURE B

The model number will be found on a plate attached to the motor housing. Always mention the model number in all correspondence regarding your **STRING TRIMMER** or when ordering repair parts.

PARTS LIST FOR FIGURE B

| KEY NO. | PART NUMBER | DESCRIPTION | QTY. |
|---------|-------------|----------------------------------|------|
| 1 | 984542001 | BOOM ASSEMBLY KIT | 1 |
| 2 | PS06336 | BOOM DECAL (WARNING) | 1 |
| 3 | 98821 | GRASS DEFLECTOR | 1 |
| 4 | 07928 | CLAMP | 1 |
| 5 | 983823001 | SCREW | 1 |
| 6 | A98231A | HOUSING AND EYELETS | 1 |
| 7 | 06713 | COMPRESSION SPRING..... | 1 |
| 8 | PA0387A | SPOOL W/LINE (.080 in)..... | 1 |
| 9 | A98866A | SPOOL RETAINER (RH/THREAD) | 1 |
| 10 | PA00249 | FASTENER PARTS KIT | 1 |
| 11 | 98822A | FRONT HANDLE | 1 |
| 12 | PS01502 | FLEX SHAFT | 1 |
| 14 | 6603001 | Trimmerhoved komplet | |

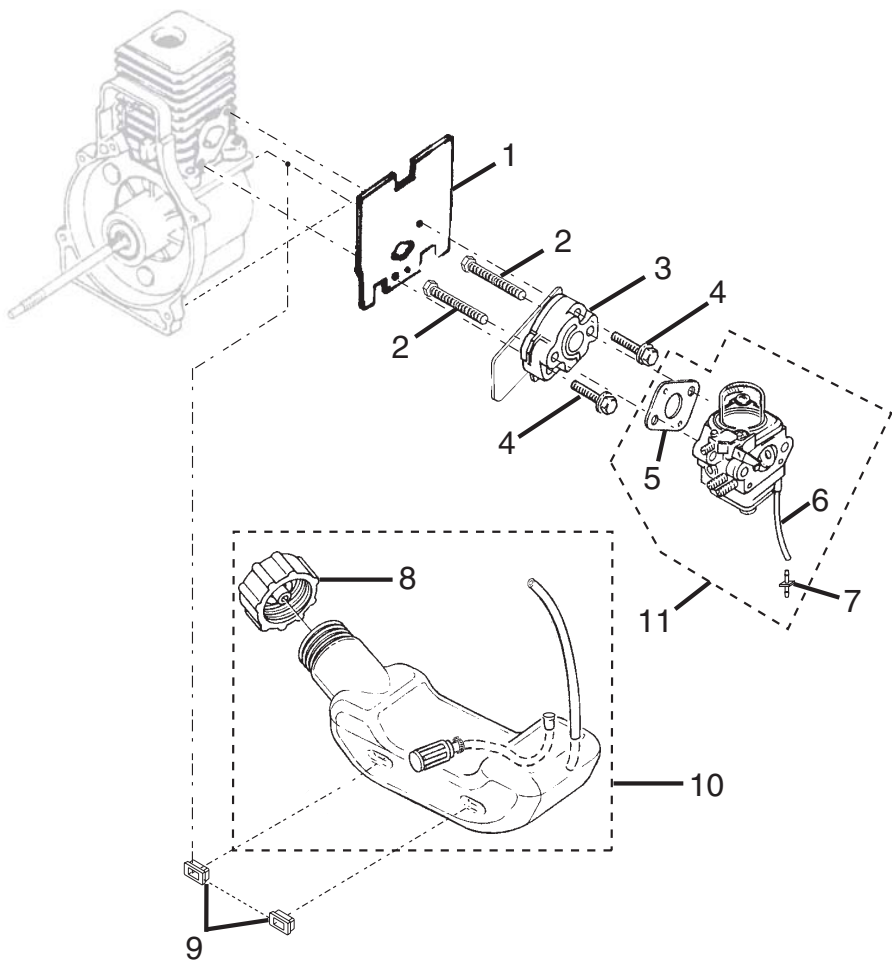


FIGURE C

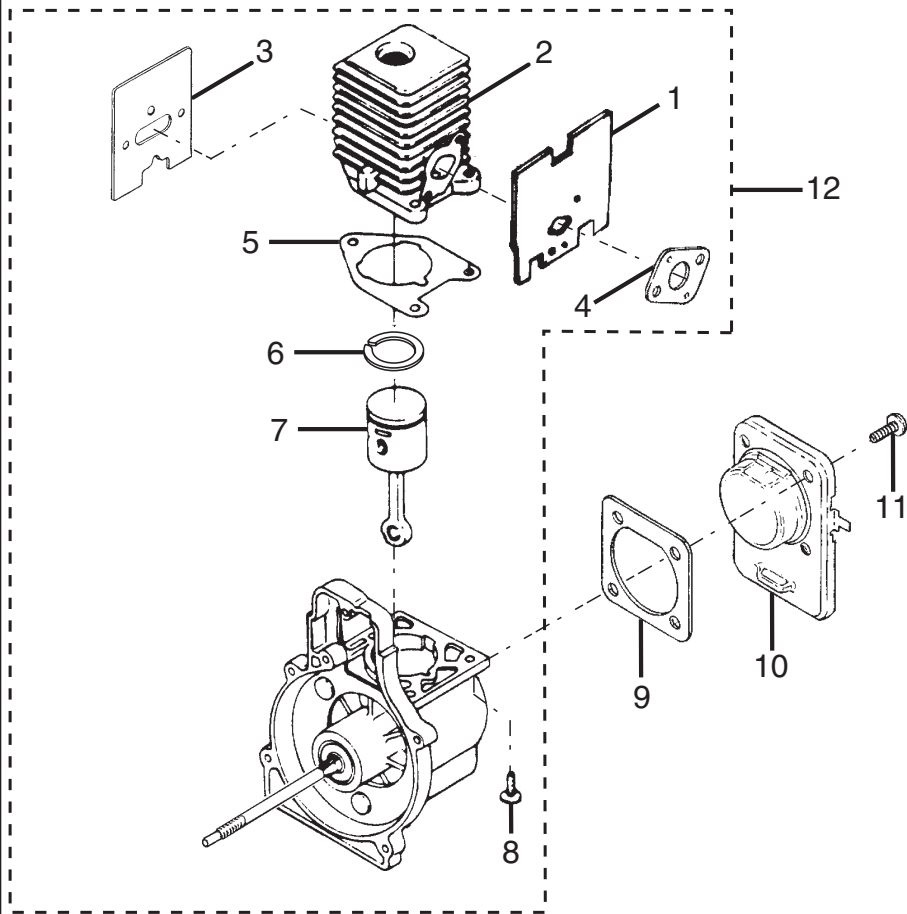


FIGURE D

The model number will be found on a plate attached to the motor housing. Always mention the model number in all correspondence regarding your **STRING TRIMMER** or when ordering repair parts.

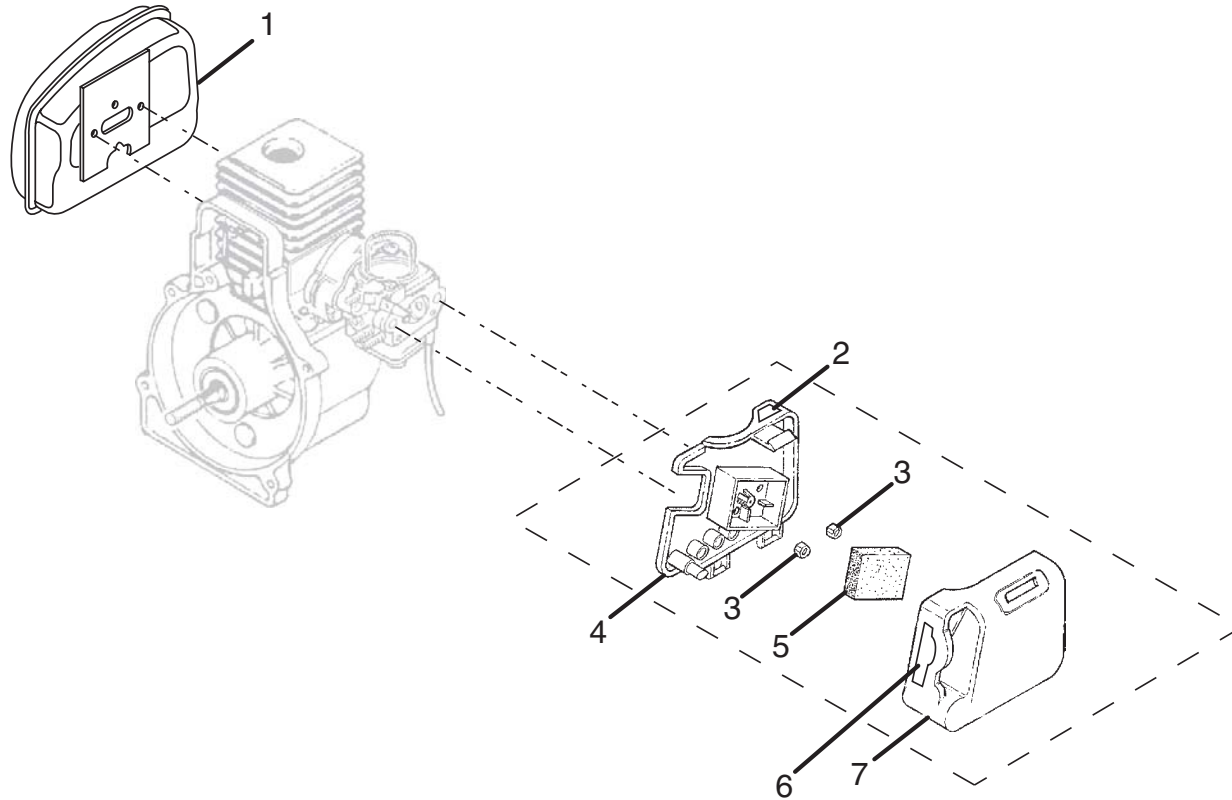
PARTS LIST FOR FIGURE C

| KEY NO. | PART NUMBER | DESCRIPTION | QTY. |
|---------|-------------|-------------------------------|------|
| 1 | 06900A | HEAT DAM GASKET | 1 |
| 2 | 04474 | CARBURETOR BOLT | 2 |
| 3 | 98768A | HEAT DAM..... | 1 |
| 4 | 093221 | PAN HEAD SEMS SCREW | 2 |
| 5 | 98766A | CARBURETOR GASKET | 1 |
| 6 | 0143910 | RUBBER HOSE (63.5 mm) | 1 |
| 7 | 07332 | INLINE FUEL FITTING | 1 |
| 8 | A09115 | FUEL CAP | 1 |
| 9 | 98792 | BUMPER | 3 |
| 10 | PA01678 | * FUEL TANK ASSEMBLY..... | 1 |
| 11 | 984534001 | CARBURETOR ASSEMBLY KIT | 1 |

PARTS LIST FOR FIGURE D

| KEY NO. | PART NUMBER | DESCRIPTION | QTY. |
|---------|-------------|-------------------------------------|------|
| 1 | 06900A | HEAT DAM GASKET | 1 |
| 2 | PS05699 | CYLINDER | 1 |
| 3 | PS04000 | MUFFLER GASKET | 1 |
| 4 | 98766A | CARBURETOR GASKET | 1 |
| 5 | 04388B | CYLINDER GASKET | 1 |
| 6 | PS01359 | PISTON RING (1-5/16 in.) | 1 |
| 7 | 984544001 | PISTON ASSEMBLY KIT | 1 |
| 8 | PS02807 | SCREW (12-24 x .660 PAN TORX) | 3 |
| 9 | 06443A | GASKET COVER, C/C | 1 |
| 10 | PS02130 | CRANKCASE COVER..... | 1 |
| 11 | PS01565 | PAN HEAD SCREW | 4 |
| 12 | 984536001 | SHORT BLOCK ASSEMBLY | 1 |

* WHEN ORDERING FUEL TANK ASSEMBLY (ITEM NUMBER 10), ALSO ORDER BUMPERS (ITEM NUMBER 9)



PARTS LIST

| KEY NO. | PART NUMBER | DESCRIPTION | QTY. |
|---------|-------------|---------------------------------|------|
| 1 | PA01073 | MUFFLER ASSEMBLY..... | 1 |
| 2 | PS02788 | PRIMER DECAL..... | 1 |
| 3 | 81208 | LOCK NUT (10-24)..... | 2 |
| 4 | PS02113 | BOX AIR FILTER (CONEHEAD) | 1 |
| 5 | 98760 | AIR FILTER..... | 1 |
| 6 | PS02523 | CHOKE DECAL..... | 1 |
| 7 | PS02309 | AIR BOX COVER..... | 1 |
| 8 | 06502 | SPARK SCREEN (NOT SHOWN) | 1 |
| | 983000204 | OPERATOR'S MANUAL | 1 |