

**F3045
HOMELITE
STRAIGHT SHAFT TRIMMER
MODEL NO. UT70127
REPAIR SHEET**

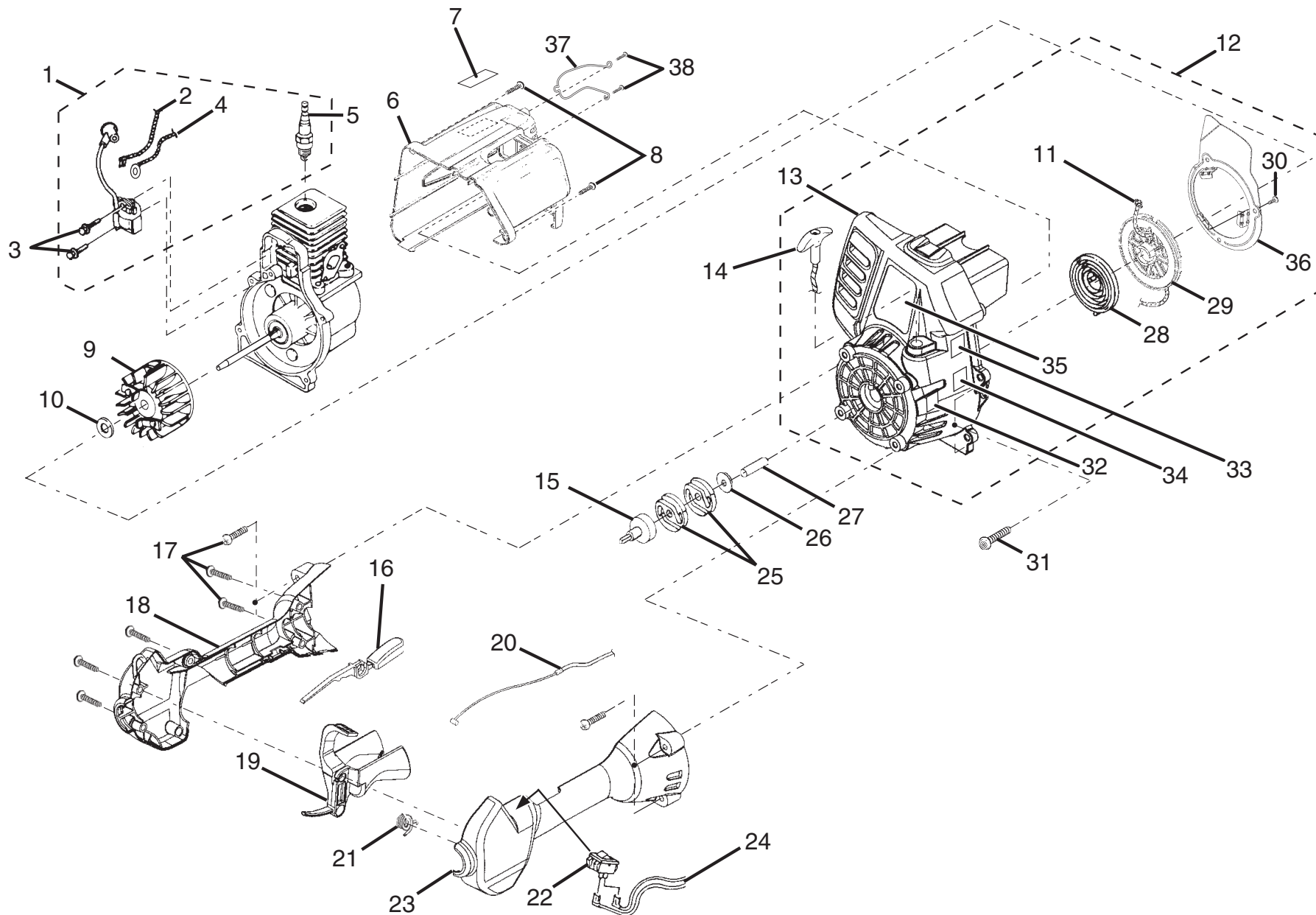


FIGURE A

The model number will be found on a plate attached to the engine housing. Always mention the model number in all correspondence regarding your **STRING TRIMMER** or when ordering repair parts.

PARTS LIST FOR FIGURE A

NO.	KEY NUMBER	PART DESCRIPTION	QTY.	NO.	KEY NUMBER	PART DESCRIPTION	QTY.
1	984520001	IGNITION KIT.....	1	19	PS06259	TRIGGER.....	1
2	A06963	ELECTRICAL LEAD.....	1	20	PS01177	THROTTLE CABLE.....	1
3	82540	SCREW.....	2	21	PS01718	SPRING.....	1
4	A06964	ELECTRICAL LEAD.....	1	22	07385	SWITCH.....	1
5	PS02227	SPARK PLUG.....	1	23	PS01125	CONTROL HANDLE / LH.....	1
6	984633001	REAR COVER ASSEMBLY.....	1	24	PA00387	ELECTRICAL LEADS.....	1
7	PS00156	HOMELITE DECAL.....	1	25	00242	CLUTCH DISK (ST185 & ST385).....	2
8	82563	SCREW.....	2	26	98929A	WASHER.....	1
9	984521001	ROTOR AND PAWL ASSEMBLY.....	1	27	PS04300	SPACER.....	1
10	95479A	WASHER.....	1	28	A98773A	SPRING & CONTAINER.....	1
11	9789902	STARTER ROPE (42 in.).....	1	29	98770A	STARTER PULLEY.....	1
12	984576001	STARTER ASSEMBLY.....	1	30	82543	SCREW.....	3
13	PA00385	STARTER HOUSING AND EYELET.....	1	31	82538	SCREW.....	4
14	5946702	STARTER GRIP.....	1	32	06976	DECAL, CE.....	1
15	PA01613	DRUM AND CONNECTOR.....	1	33	PS06261	DECAL, ZIP START.....	1
16	PS06258	INTERLOCK TRIGGER.....	1	34	984289001	DECAL, 113 POWER SOUND.....	1
17	82589	SCREW.....	9	35	PS06295	DECAL, MODEL.....	1
18	PS01124	CONTROL HANDLE / RH.....	1	36	PS06339	AIR BAFFLE PLATE.....	1
				37	PS00218	MUFFLER GUARD.....	1
				38	82541	SCREW.....	2
				39	03646	TORX WRENCH (NOT SHOWN).....	1

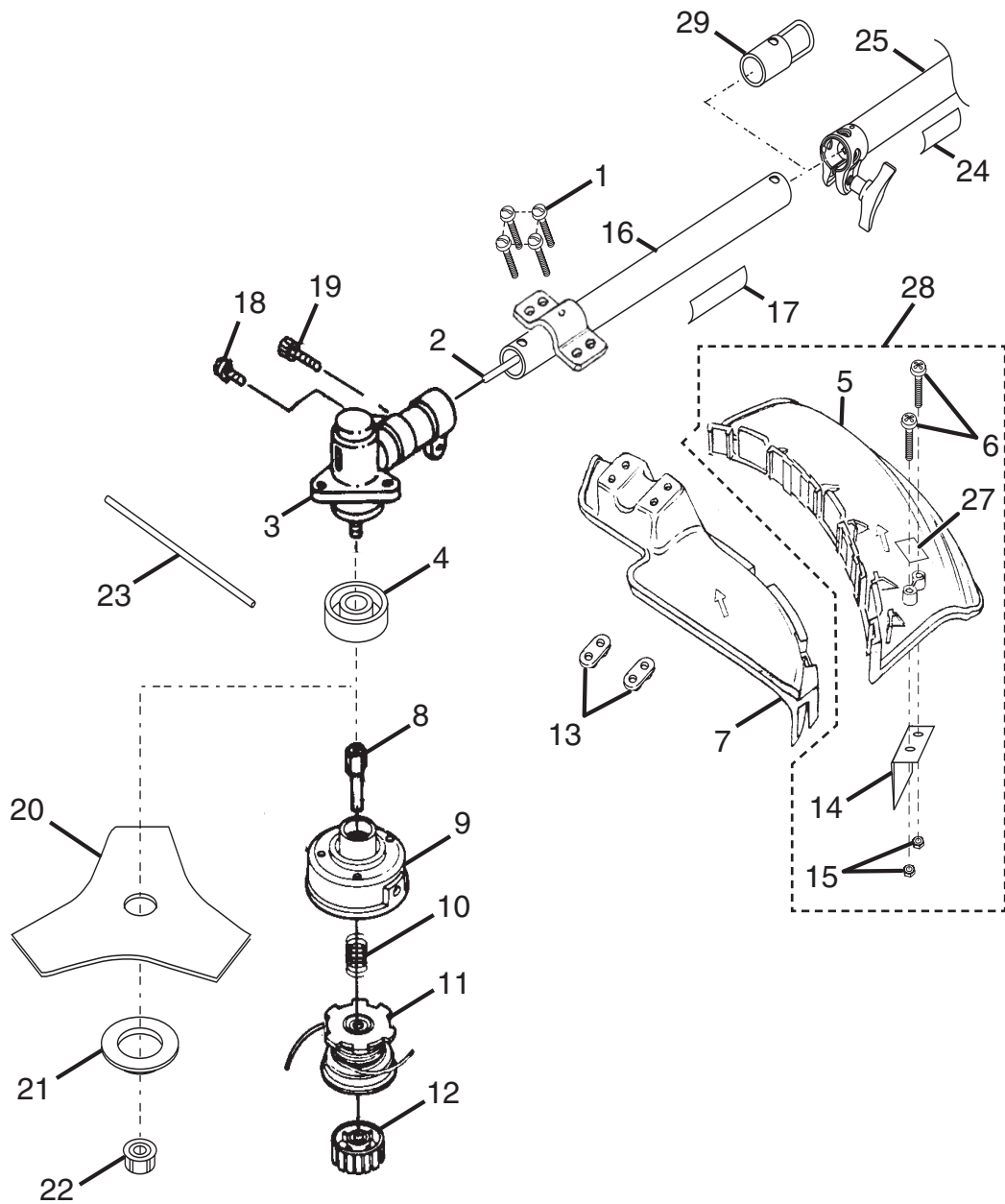


FIGURE B

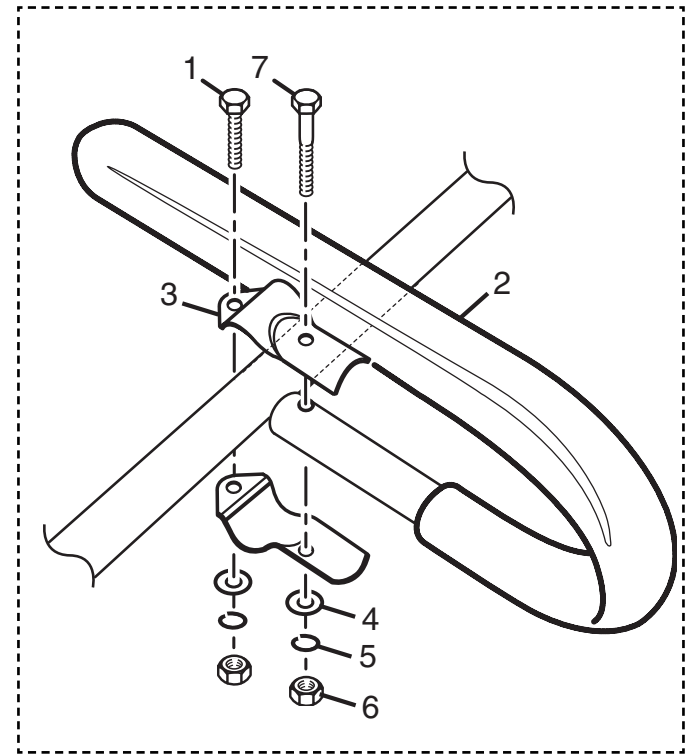


FIGURE C

POS	QTY	PARTNUMBER	BESKRIVELSE	DESCRIPTION
1	4	66PS01255	SKRUE	SCREW
2	1	6604369	FLEKSEL	FLEXIBLE AXLE
3	1	66PA01364	VINKELGEAR	GEARBOX
5	1	6608572	BRUG ENKEL NR.	USE
6	2	6682531	FLANGEBOLT SORT 4.85 X 22	COLLAR BOLT 4.85 X 22
7	1	6608573	SKÆRM FOR S3045	GUARD
8	1	6698551	ADAPTER LINKSGEVIND	ADAPTER
9	1	6698231	SPOLEHUS S25BC S25 S2030 S3045	SPOOL HOUSING
10	1	6698848	FJEDRE FOR SNORRULLE	SPRING
11	1	66PA01347A	SNORRULLE	STRING ROLL
12	1	6600104	BOLT FOR SNØREHOVED	BOLT
13	2	6608139	MOTERINGSPLADE FOR SKÆRM S3045	PLATE
14	1	6607076	KNIV	BLADE
15	2	6607076	KNIV	BLADE
16	1	66984553001	RØR KPL. ØVERSTE	TUBE
17	1	66PS06337	LABEL	LABEL
18	1	66PS04673	SKRUE	SCREW
19	1	66PS04680	SKRUE	SCREW
20	1	5604-200	4-TANDS KLINGE 1" HUL 1,6MM	BLADE
21	1	6604409	KNIVFLANGE UNDER	KNIFE COLLAR
22	1	6604127	FLANGEMØTRIK	COLLAR NUT
23	1	6600063	VÆRKTØJS PIND	TOOLBOX
24	1	66PS06344	LABEL ADVARSEL	LABEL
25	1	66984551001	RØR NED.	TUBE
26	1	66983961001	STRIP	STRIP
27	1	6609197	LABEL ADVARSEL	LABEL
28	1	66984554001	SKÆRM KPL.	GUARD
29	1	66PS02155	OPHÆNG/PROP	PLUG
1c	1	6682496	STÅLBOLT 1/4" UNC X Z" FZ	STEEL BOLT 1/4" UNC X Z" FZ
2c	1	6607159	J HÅNDTAG KPL. M. BESLAG	HANDLE
3c	2	6600422	BESLAG FOR HÅNDTAG S-25BC+S3045	BRACKET
4c	2	6684004	SKIVE	WASHER
5c	2	90102195	FJEDERSKIVE M6 FZ	SPRING COLLAR M6 FZ
6c	2	6681267	MØTRIK SORT 1/4 UNC	NUT 1/4 UNC
7c	1	6682278	BOLT FOR HÅNDTAG S3045	BOLT

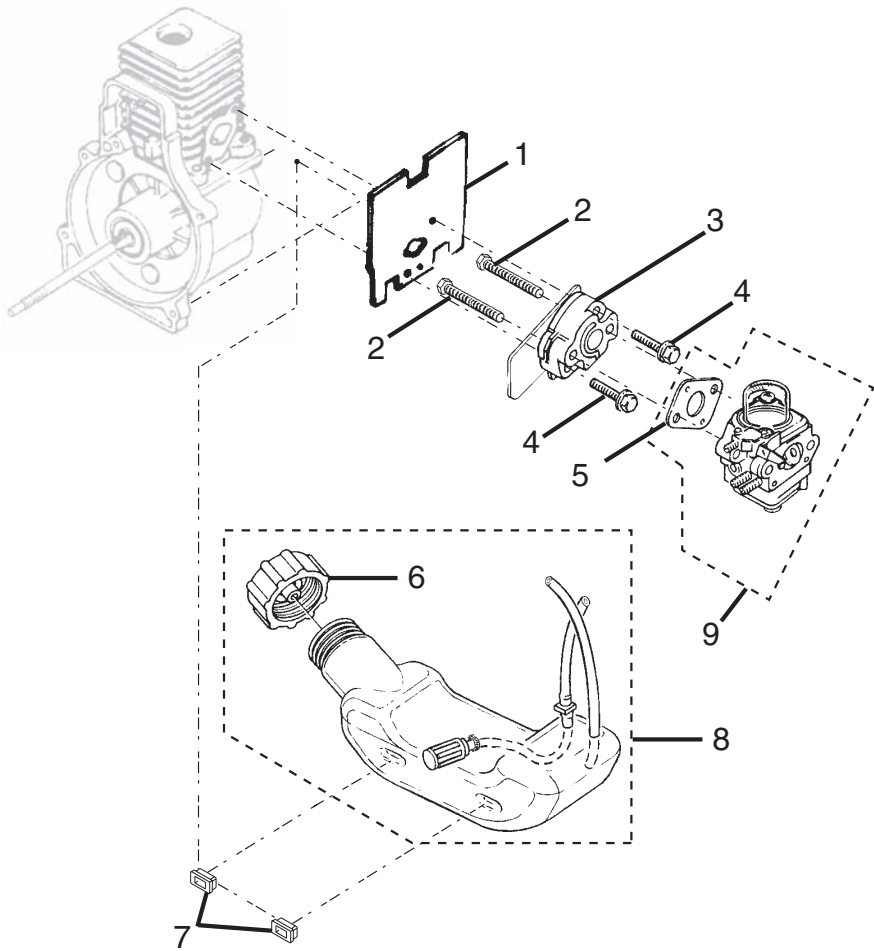


FIGURE D

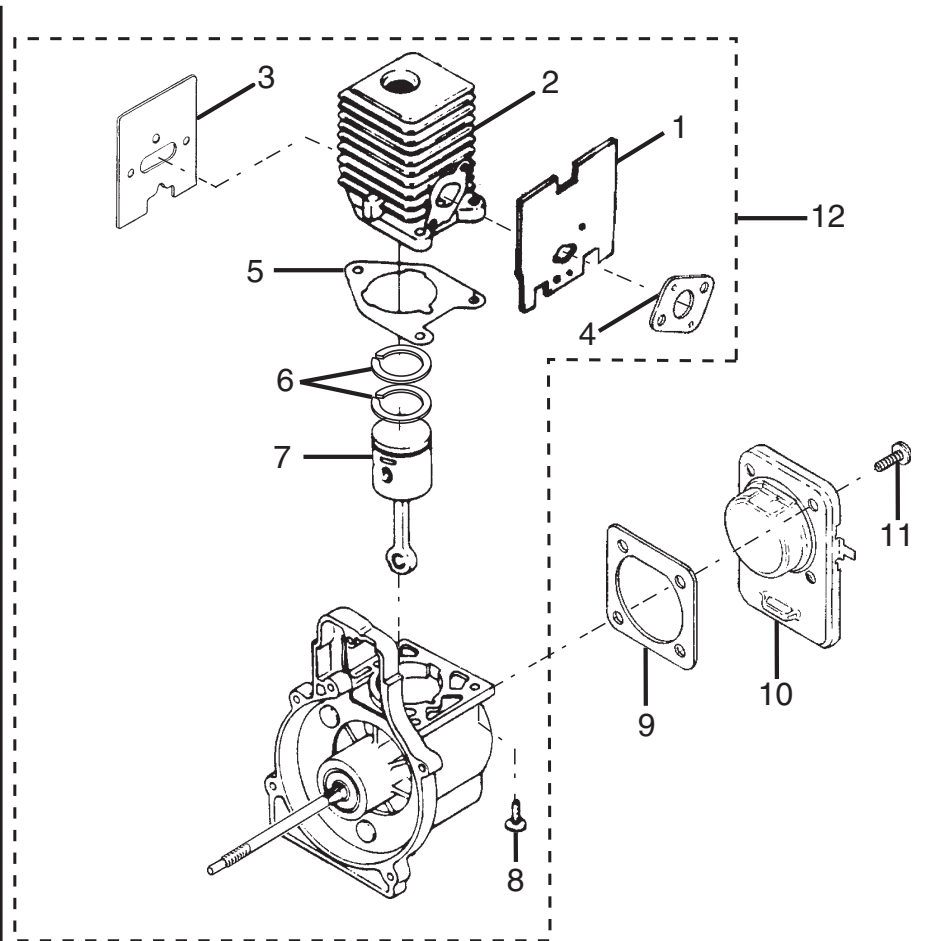


FIGURE E

The model number will be found on a plate attached to the motor housing. Always mention the model number in all correspondence regarding your **STRING TRIMMER** or when ordering repair parts.

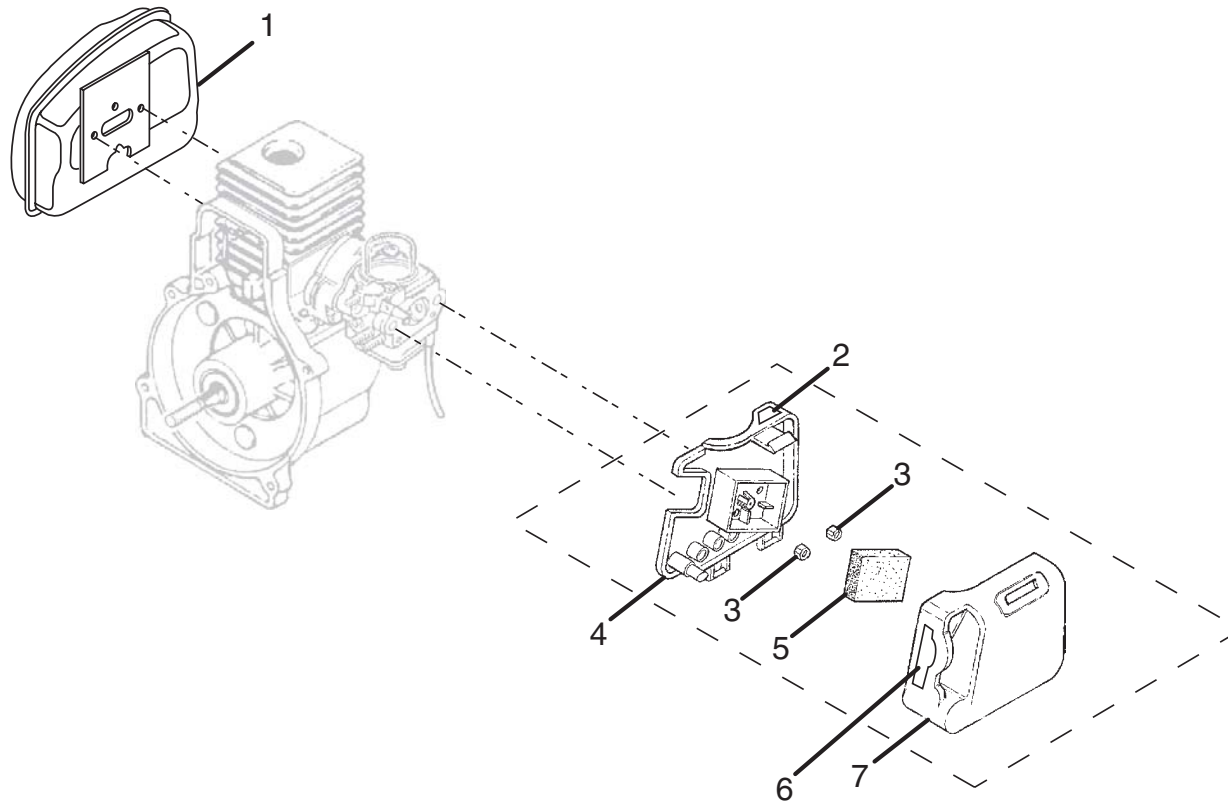
PARTS LIST FOR FIGURE D

KEY NO.	PART NUMBER	DESCRIPTION	QTY.
1	06900A	HEAT DAM GASKET	1
2	04474	CARBURETOR BOLT	2
3	98768A	HEAT DAM.....	1
4	093221	PAN HEAD SEMS SCREW	2
5	98766A	CARBURETOR GASKET	1
6	A09115	FUEL CAP	1
7	98792	BUMPER	3
8	984550001	* FUEL TANK ASSEMBLY.....	1
9	984549001	CARBURETOR ASSEMBLY KIT	1

PARTS LIST FOR FIGURE E

KEY NO.	PART NUMBER	DESCRIPTION	QTY.
1	06900A	HEAT DAM GASKET	1
2	PS02128	CYLINDER	1
3	PS04000	MUFFLER GASKET	1
4	98766A	CARBURETOR GASKET	1
5	04388B	CYLINDER GASKET	1
6	PS03498	PISTON RING (1-5/16 in.)	2
7	984543001	PISTON ASSEMBLY KIT	1
8	PS02807	SCREW (12-24 x .660 PAN TORX)	3
9	06443A	GASKET COVER, C/C	1
10	PS02130	CRANKCASE COVER.....	1
11	PS01565	PAN HEAD SCREW	4
12	984546001	SHORT BLOCK ASSEMBLY	1

*** WHEN ORDERING FUEL TANK ASSEMBLY (ITEM NUMBER 8), ALSO ORDER BUMPERS (ITEM NUMBER 7)**



PARTS LIST

KEY NO.	PART NUMBER	DESCRIPTION	QTY.
1	PA01073	MUFFLER ASSEMBLY.....	1
2	PS02788	PRIMER DECAL.....	1
3	81208	LOCK NUT (10-24).....	2
4	PS02113	BOX AIR FILTER (CONEHEAD)	1
5	98760	AIR FILTER.....	1
6	PS02523	CHOKE DECAL.....	1
7	PS02309	AIR BOX COVER.....	1
8	06502	SPARK SCREEN (NOT SHOWN)	1
	983000206	OPERATOR'S MANUAL.....	1

5-03