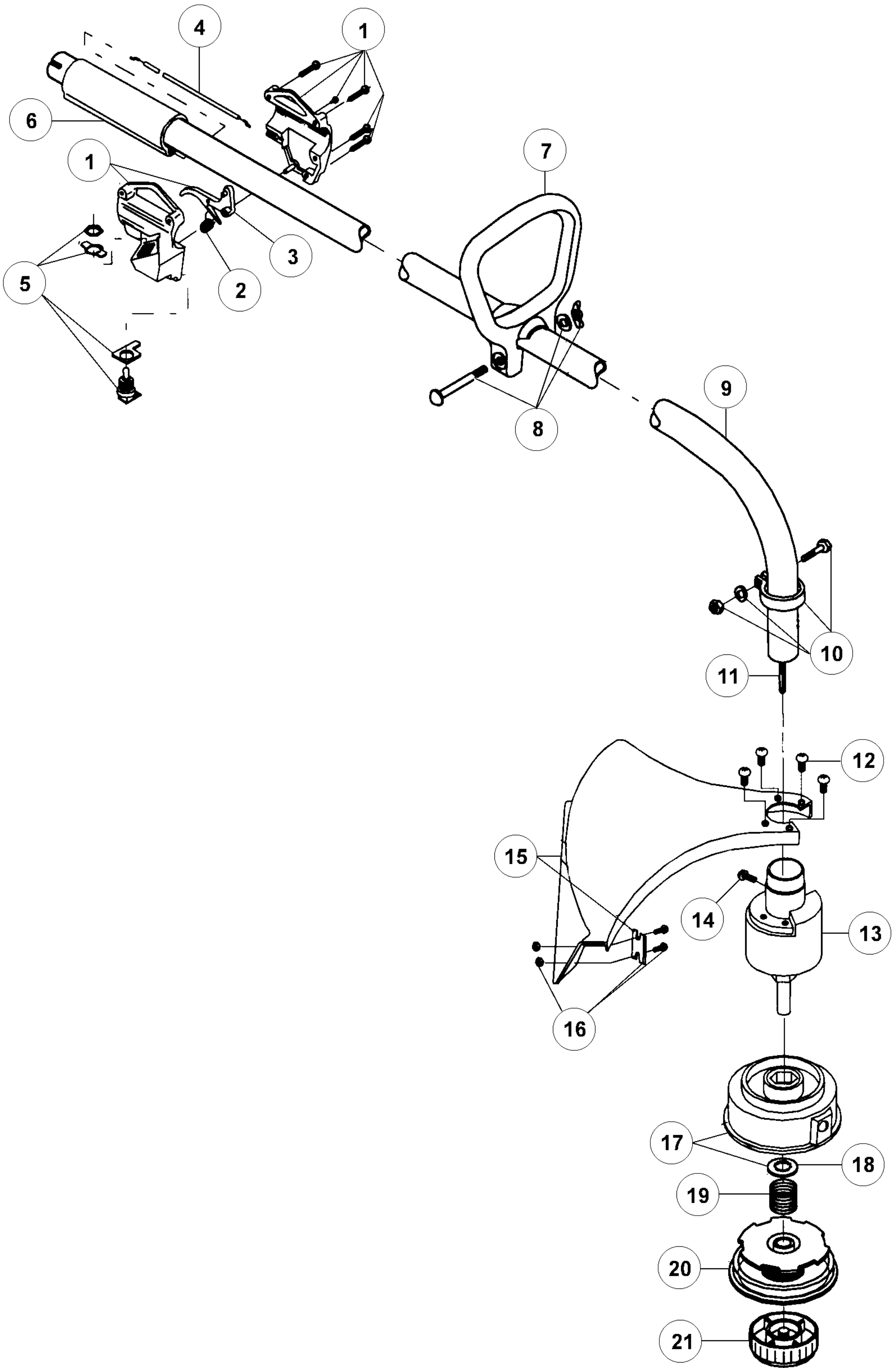


RYOBI

MOTORDEL

	Date	Numéro
Début de série	01/10/1999	911090870
Date de fin de série	31/12/2010	9999999999999

POSNR.	VAREN.	TEKST	ANTAL
E794#	182067	ENGINE GASKET KIT	1
E794#	180602	KIT, CARBURETOR REPAIR KIT	1
E794#	180090	KIT, OEM CARB REPAIR ZAMA	1
E794#	180091	KIT, GASKET/DIAPHRAGM REPAIR ZAMA	1
E794#	181501	SET, STARTER HOUSING SCREW	1
E794#	181863	SHORT BLOCK	1
E794#	180530	RING, 31CC PISTON (BARREL FACED)	1
E794#	181069	GASKET DIAPHRAGM REPAIR KIT	1
E794#	610309	SEAL, SEAL	1
E794#001	182059	AIR CLEANER/MUFFLER COVER ASSEMBLY	1
E794#002	180350	FILTER, AIR CLEANER	1
E794#003	180351	ASSMY, CARBURETOR MOUNTING SCREWS	2
E794#004	180226	WASHER, WAVY	1
E794#005	182061	CHOKE LEVER ASSEMBLY (INCLUDES 6)	1
E794#006	182070	CHOKE KNOB AND SCREW	1
E794#007	182060	CHOKE LEVER AND PLATE (INCLUDES 5)	1
E794#008	182062	CARBURETOR ASSY W/LIMITER CAPS	1
E794#009	610675	GASKET, CARBURETOR X1	1
E794#010	181860	SCREW, 1024X.75 T-25 COMBO	4
E794#011	181558	ASSMY, PRIMER & HOSE (YELLOW)	1
E794#012	182063	ASSMY, CARB MOUNT & REED PLATE	1
E794#013	684451	ASSMY, REED VALVE	1
E794#014	181866	POWER SHAFT	1
E794#015	612115	GASKET, REAR COVER X1	1
E794#016	181865	CRANKCASE	1
E794#017	612134	PAD, REAR MOUNT PAD	1
E794#018	182600	FUEL TANK ASSEMBLY 305/306RT	1
E794#019	182400	FUEL CAP ASSEMBLY	1
E794#020	181168	LINE, FUEL RETURN	1
E794#021	682039	ASSMY, FUEL LINE ASSEMBLY	1
E794#022	145308	PAD, FRONT MOUNTING	1
E794#023	153520	ASSMY, SHROUD ASSEMBLY	1
E794#024	181861	SCREW, 1/420X.562 FILL, HD T30	4
E794#025	182084	SHROUD EXTENSION AND STAND	1
E794#026	181867	FLYWHEEL	1
E794#027	610303	NUT, SQUARE DRIVE	1
E794#028	181597	PULLEY, STARTER (OCTAGON SHAPED)	1
E794#029	613102	SPRING, PULLEY RECOIL	1
E794#030	611061	GUIDE, ROPE	1
E794#031	181866	PULLEY RETAINER ASSEMBLY	1
E794#032	182601	LEADWIRE ASSEMBLY 305RT	1
E794#033	181079	HANDLE, STARTER	1
E794#034	613103	ROPE, STARTER PULLEY	1
E794#035	182602	STARTER HOUSING ASSEMBLY 305RT	1
E794#036	181862	SCREW, 1032X.562 #8PH TAP T20 BLK	4
E794#037	181345	SCREW, #816X.750 PH TORX COMBO	1
E794#038	153597	ASSMY, CLAMP ASSEMBLY	1
E794#039	611063	TAB, GROUND	1
E794#040	181937	ASSMY, MODULE ASSEMBLY	1
E794#041	147095	PLUG, SPARK	1
E794#042	182065	EXHAUST GASKET	1
E794#043	182066	MUFFLER ASSEMBLY (INCLUDES 41&43)	1
E794#044	147575	ASSMY, MUFFLER MOUNTING BOLTS	2
E794#045	181622	KIT, CYLINDER REPLACEMENT 31CC (EZ)	1
E794#046	684449	ASSMY, PISTON & ROD	1
E794#047	610674	GASKET, CYLINDER X1	1
E794#048	181870	SCREW, 1/420X.625 SOCKET HD BO	2



Modèle 305RT

31 CC - 2 CYCLE LINE TRIMMER
Standard model**RYOBI**

RØRDEL

	Date	Numéro
Début de série	01/10/1999	911090870
Date de fin de série	31/12/2010	9999999999999

POSNR.	VAREN.	TEKST	ANTAL
E795#001	182603	THROTTLE HOUSING & TRIGGER ASSEMBLY	1
E795#002	810314	SPRING, THROTTLE TRIGGER	1
E795#003	181556	TRIGGER, THROTTLE W/O LOCK (YELLOW)	1
E795#004	182088	THROTTLE CABLE ASSEMBLY	1
E795#005	180252	ASSMY, SWITCH W/GROUND TAB	1
E795#006	814143	HANDLE	1
E795#007	147654	HANDLE, DHANDLE	1
E795#008	181587	ASSMY, DHANDLE HARDWARE	1
E795#009	180113	ASSMY, DRIVE SHAFT HOUSING	1
E795#010	153597	ASSMY, CLAMP ASSEMBLY	1
E795#011	181821	FLEXIBLE DRIVE SHAFT	1
E795#012	153318	SCREW, GUARD MOUNTING	1
E795#013	181784	ASSMY, BUSHING HOUSING W/SPL SHAFT	1
E795#014	145569	SCREW, ANTIROTATION	1
E795#015	180341	ASSMY, GUARD & BLADE	1
E795#016	662061	ASSMY, BLADE ASSEMBLY	1
E795#017	153619	ASSMY, OUTER SPOOL EYELET ASSEMBLY	1
E795#018	610660	WASHER, RETAINER X1	1
E795#019	610317	SPRING, INNER REEL SMALL	1
E795#020	610318	REEL, INNER SMALL	1
E795#021	153066	ASSMY, BUMP KNOB	1
E795#	002745	LINE, .080 LOOP 50FT.	1
E795#	002727	LINE, DUAL LINE CARTRIDGE	1
E795#	002724	ASSMY, TWIN LINE BUMP HEAD RLH	1