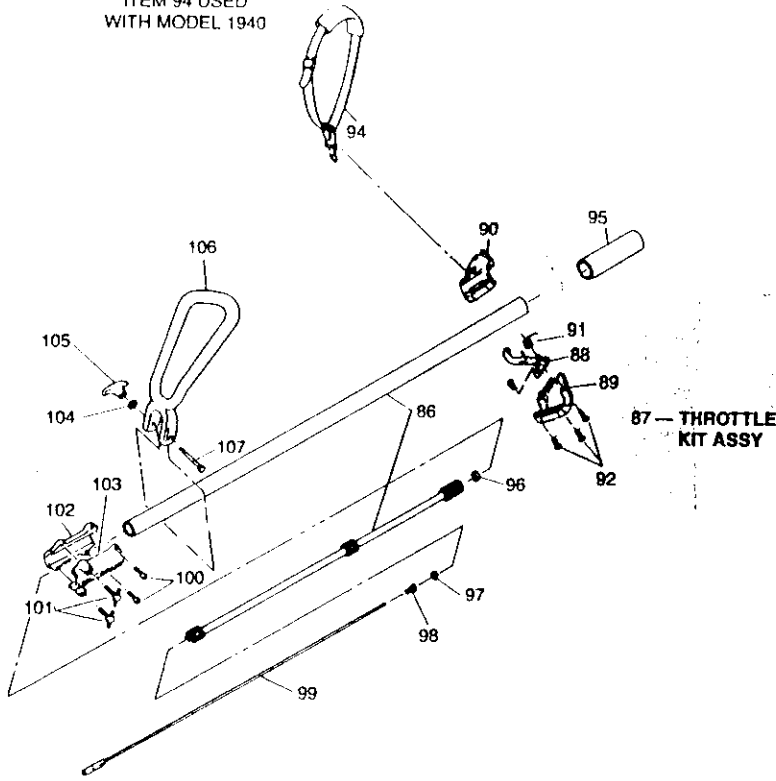
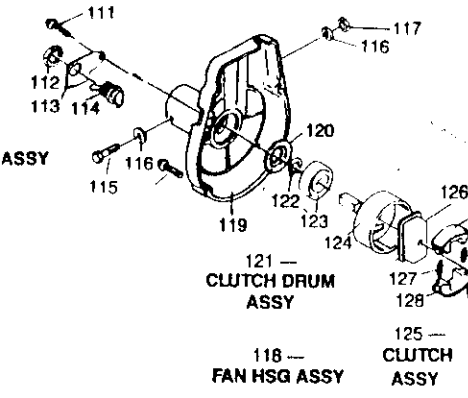
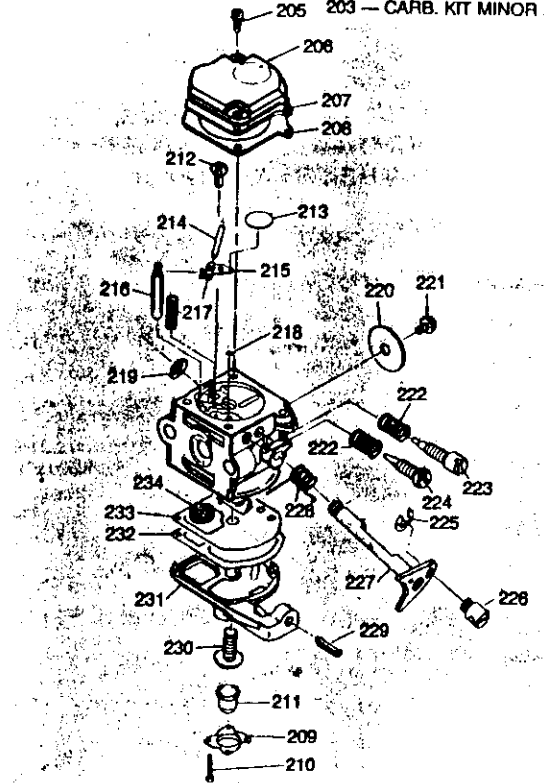


ITEM 94 USED WITH MODEL 1940

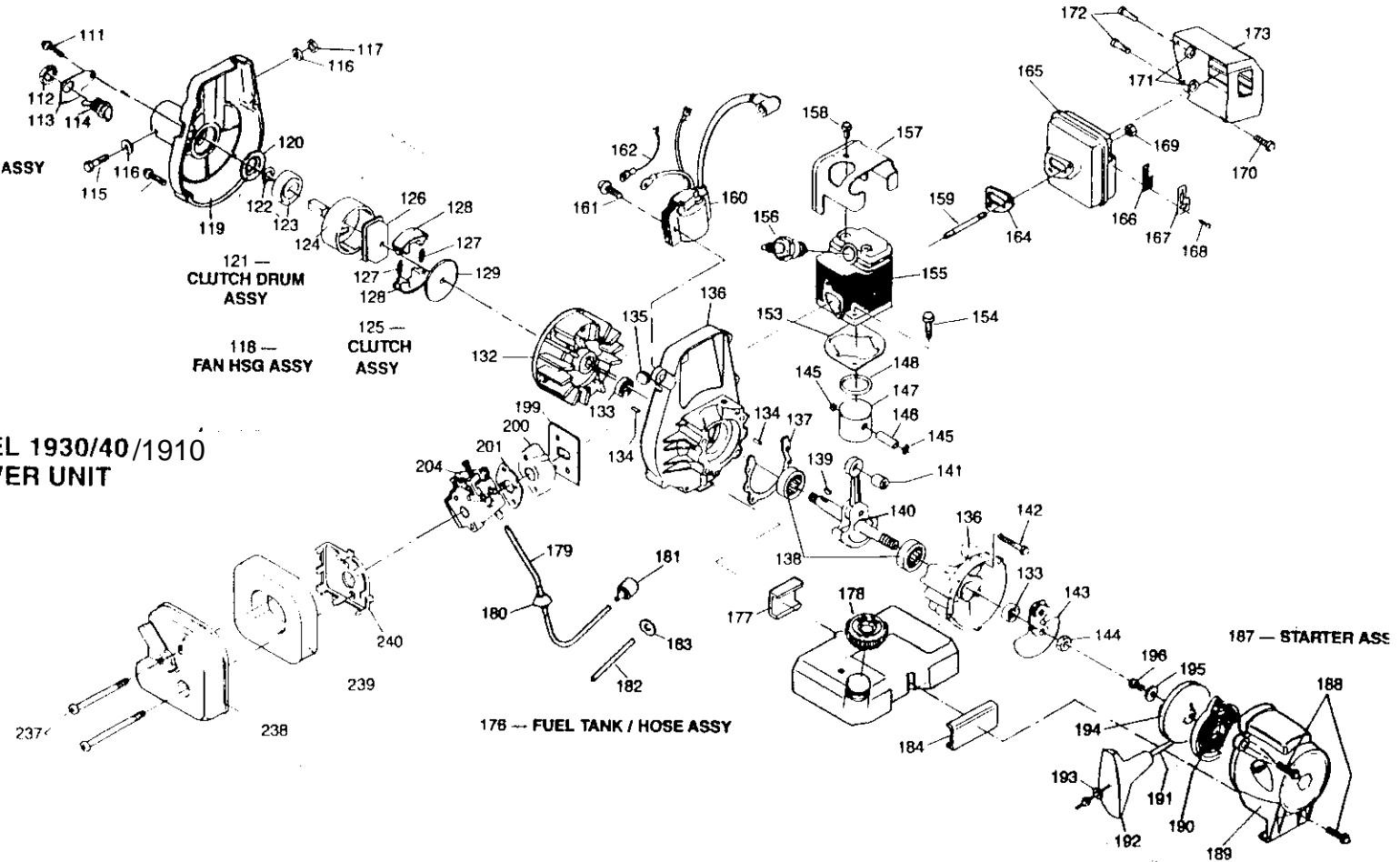


204 - CARB ASSY

202 - CARB. KIT MAJOR REPA  
203 - CARB. KIT MINOR REPA



MODEL 1930/40/1910  
SER UNIT



ITEM	PART NUMBER	DESCRIPTION
170	010122	SCREW
171	197601	SPACER MUFFLER
172	010121	SCREW-PAN M4 X 17
173	195203	SHIELD-MUFFLER
174		
175		
178	<b>190302</b>	<b>FUEL TANK/HOSE ASSY</b>
177	195504	CUSHION
178	195208	CAP-FUEL
179	195402	HOSE-FUEL
180	195503	GROMMET
181	195507	PICK-UP FUEL
182	195401	FUEL HOSE (RETURN)
183	195501	SEAL GROMMET
184	195505	CUSHION
185		
186		
187	<b>190307</b>	<b>STARTER ASSEMBLY</b>
188	<b>010123</b>	<b>SCREW-STARTER</b>
189	197301	HOUSING-STARTER
190	197304	SPRING-STARTER
191	197303	ROPE-STARTER
192	195506	HANDLE-STARTER
193	040114	WASHER
194	197302	DRUM/ROPE
195	040113	WASHER
196	<b>011425</b>	<b>SCREW-DRUM</b>
197		
198		
199	197402	GASKET-INSULATOR/CYL.
200	195205	INSULATOR-CARB./CYL.
201	197401	GASKET-CARB./INSULATOR
202	<b>190601</b>	<b>KIT CARB. MAJOR REP</b>
203	190602	KIT CARB. MINOR REP
204	<b>190204</b>	<b>CARBURETOR ASSY</b>
205	010131	SCREW
206	197201	CAP-MAIN
207	197202	DIAPHRAGM-MAIN
208	197203	GASKET-MAIN
209	197102	PUMP COVER
210	197104	SCREW
211	197103	PRIMER PUMP
212	010132	SCREW
213	197204	DISK
214	197206	PIN
215	197205	ARM NEEDLE VALVE
216	197208	NEEDLE VALVE
217	197207	SPRING-ARM
218	197209	WELCH PLUG
219	197215	"E" RING
220	197218	THROTTLE VALVE
221	010133	SCREW THROTTLE VALVE
222	197210	SPRING NEEDLE
223	197212	NEEDLE-IDLE
224	197211	NEEDLE-HIGH SPEED
225	197217	"E" RING
226	197216	POST
227	197214	SHAFT ASSY-THROTTLE
228	197213	SPRING THROTTLE RETURN
229	010135	SCREW-IDLE ADJ
230	010134	SCREW-PUMP COVER
231	197222	COVER-FUEL PUMP
232	197221	GASKET PUMP
233	197220	DIAPHRAGM-FUEL PUMP
234	197219	STRAINER
235		
236		
237	010120	SCREW-CHOKE COVER
238	195201	COVER ASSEMBLY-CHOKE
239	195901	FILTER-AIR
240	195202	BOX-AIR
241		
242		
243	<b>2331</b>	<b>TRIMMER ATTACHMENT</b>
244	<b>230604</b>	<b>TUBE ASSY 28.4 1/4" HOLE</b>
245	237802	DRIVESHAFT 24.5
246	011402	SCREW
247	165206	SHIELD
248	041101	WASHER
249	011401	SCREW
250	235501	RETAINER
251	051002	NUT
252	166902	BRACKET CLAMP
253	166901	BLADE CUT OFF
254	051001	NUT
255	041102	WASHER

ITEM	PART NUMBER	DESCRIPTION
84		
85		
86	190310	TUBE ASSY 25.05
87	230339	THROTTLE HOUSING ASSY
88	235214	THROTTLE LEVER
89	165203	CLAMP L.H.
90	165204	CLAMP R.H.
91	167101	SPRING THROTTLE TRIG
92	201044	SCREW
93		
94	257601	HARNES
95	300038	FOAM GRIP
96	237603	RETAINER
97	041012	WASHER
98	237901	SPRING, DRIVESHAFT
99	237801	DRIVESHAFT, 22.25
100	031105	CAP BOLT SOCKET
101	237601	WING SCREW
102	236101	CLAMP R.H.
103	236102	CLAMP L.H.
104	040018	WASHER
105	190120	KNOB
106	235209	ASSIST HANDLE
107	257606	BOLT
108		
109		
110	<b>190303</b>	<b>TOGGLE SWITCH/PLATE ASSY</b>
111	010126	SCREW
112	050061	NUT-SWITCH
113	196101	PLATE-SIDE
114	193601	SWITCH-TOGGLE
115	010125	SCREW HEX HEAD M5 X 35
116	040115	WASHER-FLAT M5
117	050060	NUT-HEX M5
118	<b>190304</b>	<b>HOUSING ASSEMBLY-FAN</b>
119	195207	HOUSING-FAN
120	196702	PLATE-THRUST
121	190305	DRUM ASSEMBLY-CLUTCH
122	061103	RING-RETAINING
123	070033	BEARING-BALL
124	197608	DRUM-CLUTCH
125	190306	CLUTCH ASSEMBLY
126	197608	ROTOR CLUTCH
127	197901	SPRING-CLUTCH
128	197607	SHOE-CLUTCH
129	196102	PLATE SIDE
130		
131		
132	196709	FLYWHEEL
133	082003	SEAL-CRANKSHAFT
134	197603	PIN
135	195502	GROMMET
136	196706	CRANKCASE ASSY
137	197405	GASKET
138	071412	BEARING
139	197605	KEY-FLYWHEEL
140	196708	CRANKSHAFT/CON ROD ASSY
141	071411	BEARING
142	010130	SCREW
143	197602	RATCHET ASSEMBLY
144	050062	NUT-STARTER RATCHET
145	062006	RING-SNAP
146	197604	PIN-WRIST
147	196707	PISTON-NON-PLATED
148	062007	RING-PISTON
149		
150		
151		
152		
153	197404	GASKET
154	010129	SCREW
155	196705	CYLINDER PLATED
156	193901	SPARK PLUG
157	196704	COVER-CYLINDER
158	010128	SCREW
159	020004	STUD-MUFFLER
160	194001	COIL-IGNITION
161	010126	SCREW
162	193602	GND WIRE ASSY
163		
164	197403	GASKET-MUFFLER
165	196701	MUFFLER ASSEMBLY
166	197501	SCREEN
167	195204	COVER
168	011424	SCREW
169	050059	NUT