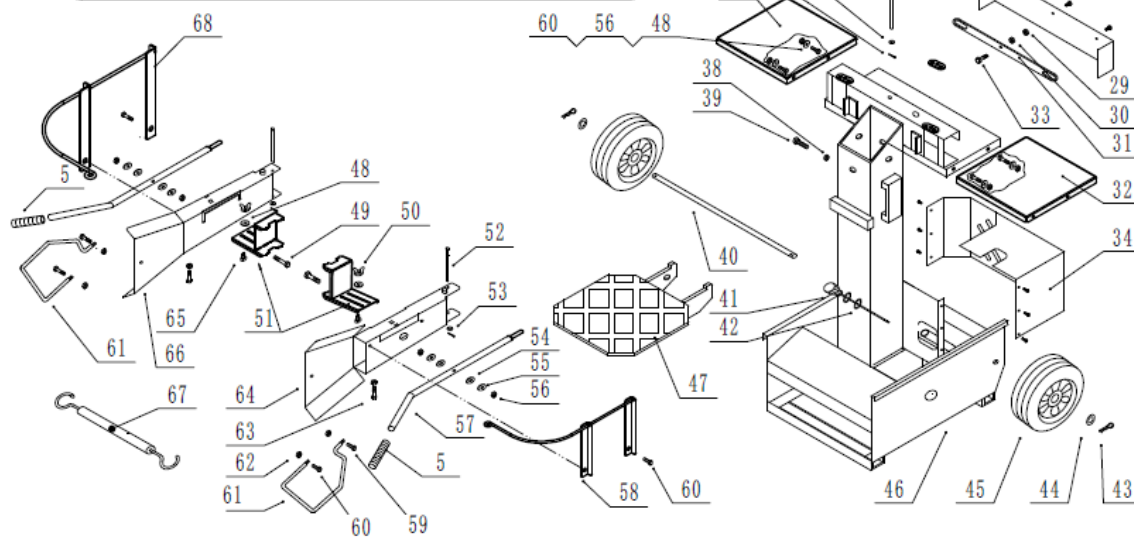
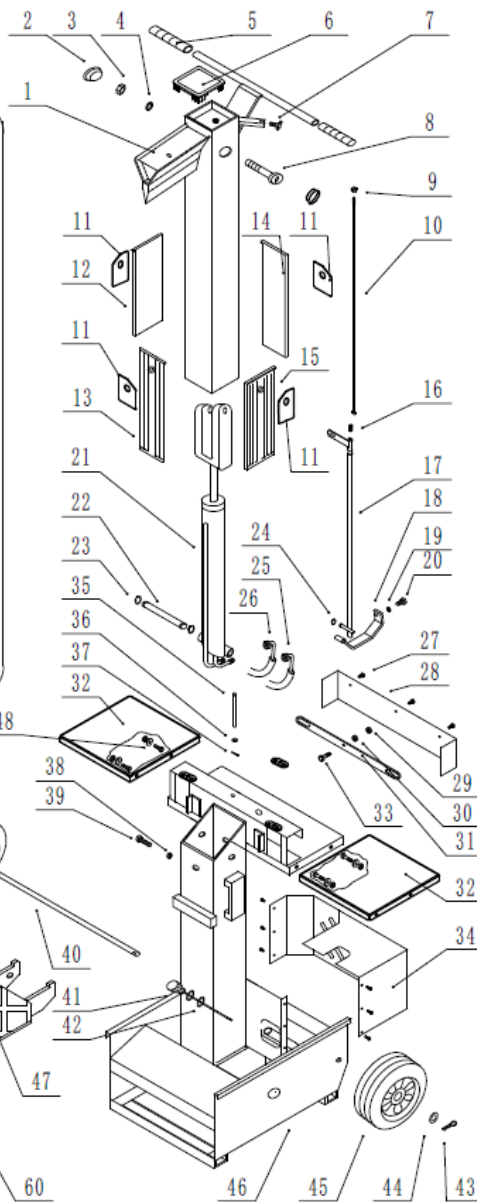
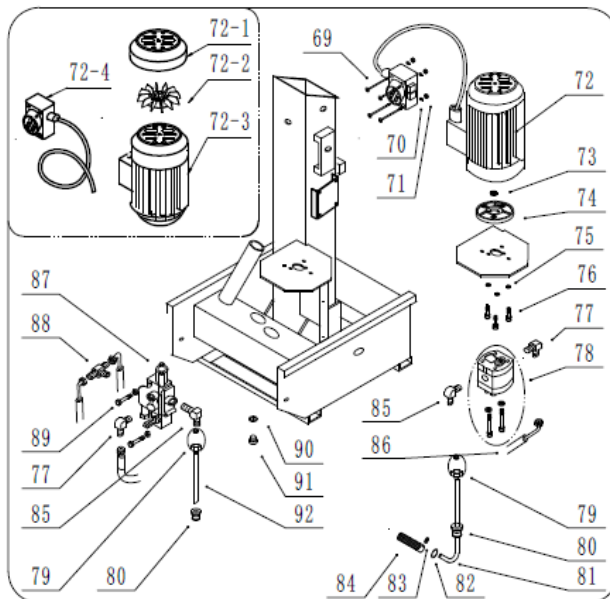


Model: Power Split 800V

Part Number: 90052212

Year: 2019



POS	QTY	PARTNUMBER	BESKRIVELSE	DESCRIPTION
1	1	441057	KLØVEHOVED	KNIFE COLUMN
2	2	437919	PROP	ROUND PLUG
3	1	437920	MØTRIK TYND	NUT, THIN
4	1	437921	SKIVE	SPRING WASHER
5	4	437923	GREBHÅNDTAG	HANDLE GRIP
6	1	441058	GUMMMIHÅNDTAG	PLUG
7	1	437922	SKRUE	FIXING SCREW
8	1	437252	SKRUE	SCREW
9	1	437925	LÅSE MØTRIK	LOCKING NUT
10	1	441059	AKSEL	VALVE STICK
11	4	441060	GLIDEPLADE	ADJUSTING WASHER
12	1	437254	GLIDEPLADE VENSTRE	SLIDING PAD, LEFT SIDE
13	1	437256	GLIDEPLADE BAG	SLIDING PAD, BACK SIDE
14	1	437255	GLIDEPLADE FRONT	SLIDING PAD, FRONT SIDE
15	1	437257	GLIDEPLADE HØJRE SIDE	SLIDING PAD, RIGHT SIDE
16	1	437926	FJEDER	SPRING
17	1	441061	SKINNE	BUSHING FOR VALVE STICK
18	1	441062	ARM	VALVE CONTROL BOARD
19	1	441063	FJEDERSKIVE	SPRING WASHER 10
20	1	441064	BOLT M10X20	BOLT M10X20
21	1	441065	CYLINDER	CYLINDER
22	1	437259	STIFT TIL CYLINDER	PIN FOR CYLINDER
23	2	422222	LÅSERING	LOCKING RING
24	1	441066	SKIVE	SPINDLE CIRCLIP 9
25	1	441067	SLANGE	RUBBER HOSE C3CB
26	1	441068	SLANGE	RUBBER HOSE C2CB
27	9	437945	SKRUE 5X8	SCREW 5X8
28	1	441069	SKÆRM	SMALL GUARD
29	1	437941	LÅSEMØTRIK M6	LOCKING NUT M6
30	1	422220	MØTRIK M6	NUT M6
31	1	441070	VIPPEARM	TRANSMISION BOARD
32	2	441071	AFLÆGNINGSPLADE	LOG STORAGE PLATE
33	1	437942	BOLT	BOLT
34	1	441072	SKÆRM	GUARD FOR PUMP&VALVE
35	1	437937	STIFT B-TYPE	B-TYPE PIN
36	1	422218	SKIVE M6	WASHER M6
37	3	437939	STIFT	SPLIT PIN
38	1	422243	LÅSEMØTRIK M10	LOCKING NUT M12
39	1	441073	BOLT M10X35	BOLT M10X35
40	1	441074	HJULAKSEL	AXLE
41	1	441075	OLIEPIND	OIL LEVEL STICK
42	2	437973	O-RING 15X2,65	O-RING
43	2	422212	CLIPS	CLIPS
44	2	437947	FLAD SKIVE	FLAT WASHER
45	2	441076	HJUL	WHEEL
46	1	441077	STEL	MAIN FRAME
47	1	441078	PLADE	WORK TABLE
48	8	437956	SKIVE	FLAT WASHER
49	2	437954	BOLT	BOLT 10X45
50	2	437955	MØTRIK	NUT

POS	QTY	PARTNUMBER	BESKRIVELSE	DESCRIPTION
51	2	441079	ARM	LOG CLAW
52	2	437958	STIFT B-TYPE	B-TYPE PIN
53	2	441080	SKIVE	FLAT WASHER
54	4	437961	PAKNING	WASHER
55	4	437962	FLAD SKIVE	FLAT WASHER
56	2	437963	LÅSEMØTRIK	LOCKING NUT
57	2	441081	HÅNDTAG	CONTROL HANDLE
58	1	441082	HÅNDTAGBESKYTTER	HAND PROTECTOR,UPPER RIGHT
59	2	441083	BOLT M8X20	BOLT 8X20
60	8	437965	BOLT 8X16	BOLT 8X16
61	2	441084	BØJLE	HAND PROTECTOR,LEFT&RIGHT
62	11	437959	MØTRIK	NUT
63	2	B68	BOLT 8X30	BOLT 8X30
64	1	441085	ARM HØJRE	HANDLE GUARD, RIGHT
65	2	437967	BOLT 8X16	BOLT 8X16
66	1	441086	ARM VENSTRE	HANDLE GUARD, LEFT
67	1	437969	GUMMISTROP	RUBBER BELT
68	1	441087	HÅNDTAG BESKYTTER	HAND PROTECTOR,UPPER LEFT
69	4	437975	SKRUE	SCREW 4 X 60
70	4	437976	SKIVE	WASHER
71	4	437977	MØTRIK	NUT
72	1	441101	ELMOTOR M/KONTAKT 400V	ELECTRIC MOTOR
73	1	437979	FORBINDER	CONNECTOR
74	1	437980	MOTOR BASE	MOTOR BASE
75	12	437981	FJEDERSKIVE	SPRING WASHER
76	3	437982	SKRUE	SCREW 8X30
77	2	437983	LED	ELBOW CONNECTOR
78	1	441091	PUMPE	PUMP
79	2	441092	BOLT	NUT
80	2	441093	GUMMIPAKNING	WIRE COVER
81	1	441094	RØR	OIL PIPE
82	1	437994	O-RING	O-RING14X2.65
83	1	437992	SKRUE	SCREW 6X6
84	1	437993	FILTER CPL	FILTER CPL.
85	2	441095	VINKEL	ELBOW CONNECTOR
86	1	441096	RETURRØR	RUBBER PIPE C1CB
87	1	441097	VENTILSTYR	VAVLE
88	1	441098	VINKEL	T-TYPE CONNECTOR
89	2	437997	SKRUE 8X40	SCREW 8X40
90	1	441099	O-RING	O-RING
91	1	437974	SKRUEMØTRIK	SCREW NUT
92	1	441100	OLIESLANGE	OIL PIPE IT
72-1	1	437267	LÅG	MOTOR FAN COVER
72-2	1	437269	VENTILATOR	FLYING FAN
72-3	1	441102	MOTOR UDEN KONTAKT 400V	MOTOR W/OUT SWITCH
72-4	1	441123	KONTAKT 400V	SWITCH, 400V