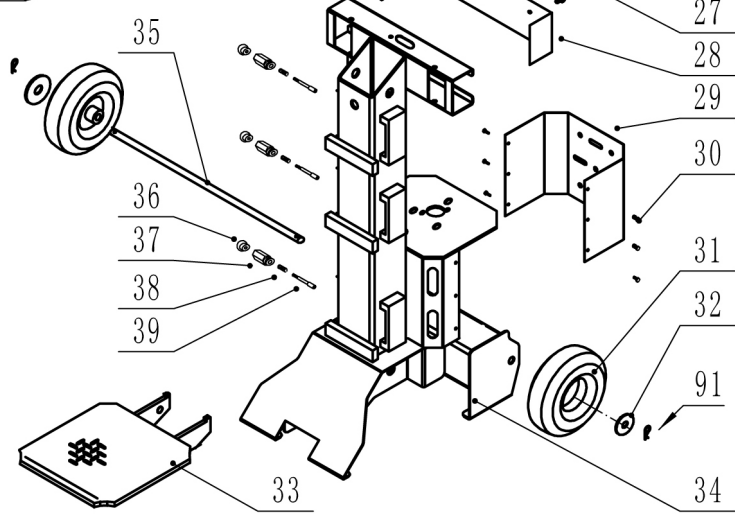
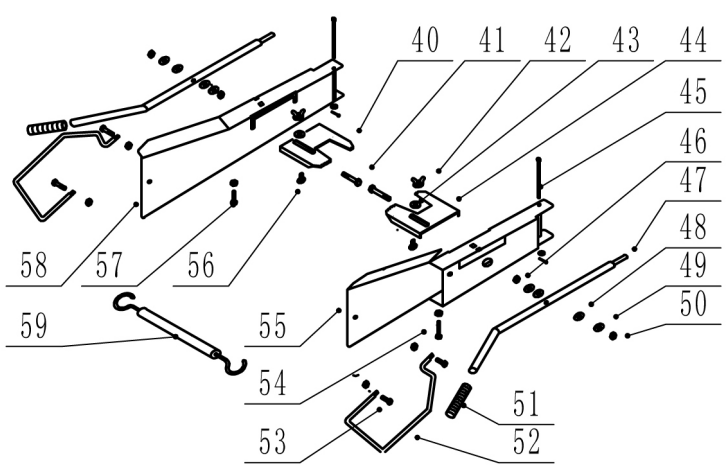
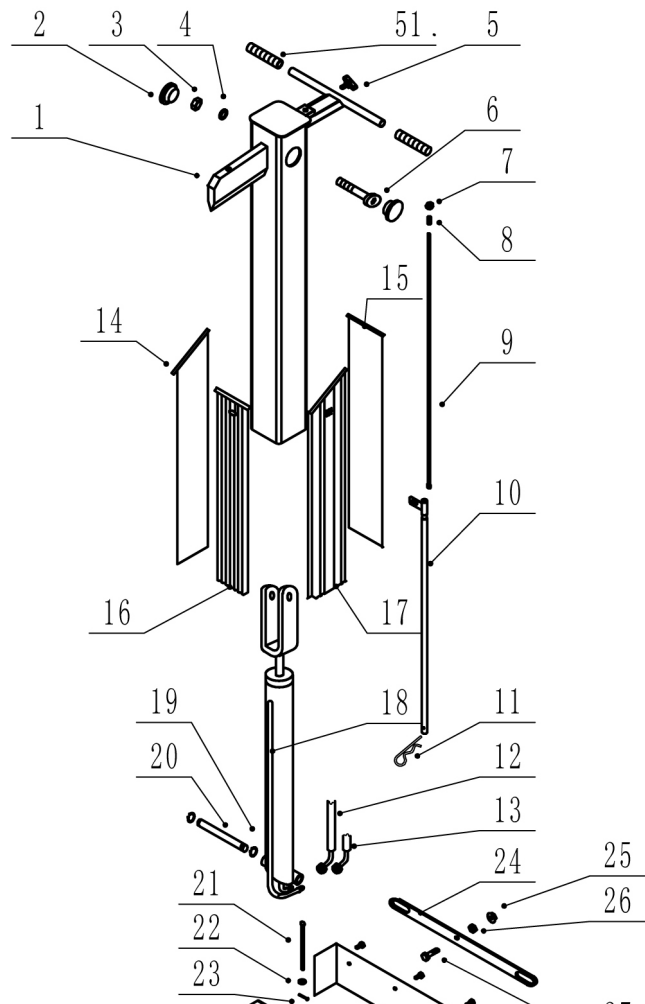
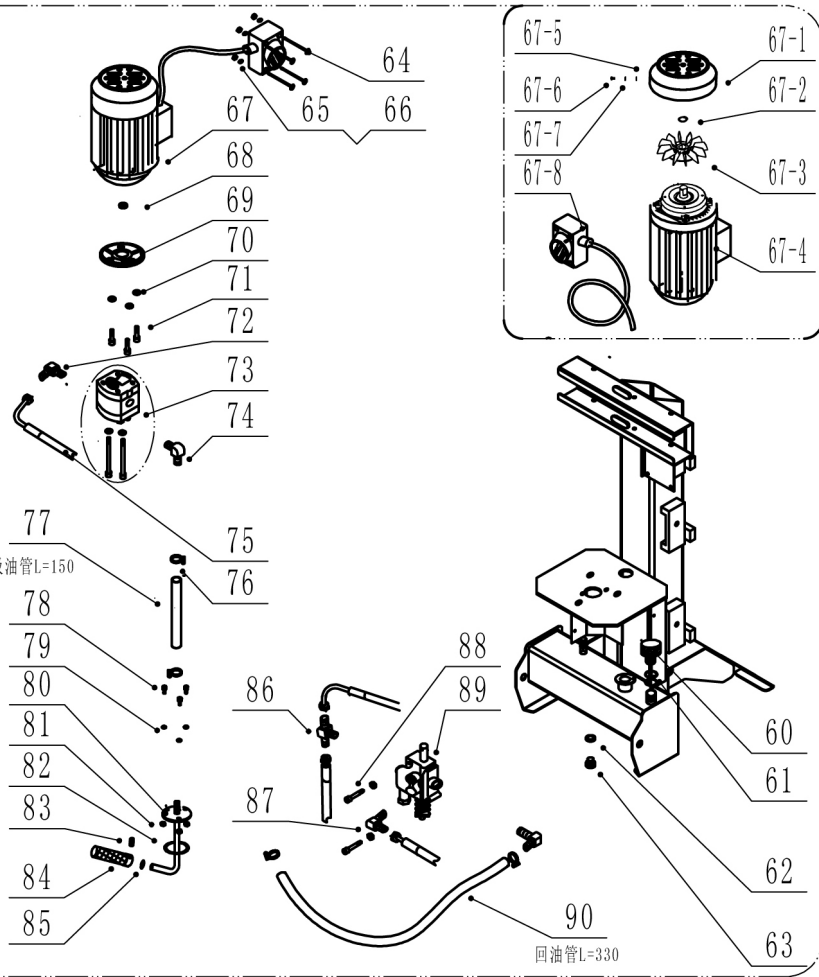


TE105-8L



| POS | QTY | PARTNUMBER | BESKRIVELSE | DESCRIPTION |
|-----|-----|------------|-----------------------|------------------------------|
| 1 | 1 | 437251 | KLØVEHOVED TÅRN | KNIFE COLUMN |
| 2 | 2 | 437919 | LÅG | ROUND PLUG |
| 3 | 1 | 437920 | MØTRIK TYND | NUT, THIN |
| 4 | 1 | 437921 | SKIVE | SPRING WASHER |
| 5 | 1 | 437922 | SKRUE | FIXING SCREW |
| 6 | 1 | 437252 | SKRUE | SCREW |
| 7 | 1 | 437925 | LÅSE MØTRIK | LOCKING NUT |
| 8 | 1 | 437926 | FJEDER | SPRING |
| 9 | 1 | 437253 | STANG | VAVLE STICKER |
| 10 | 1 | 437928 | SKINNE | BUSHING FOR VALVE STICKER |
| 11 | 1 | 422212 | CLIPS | CLIPS |
| 12 | 1 | 437929 | BØS | RUBBER HOSE, C2C,270 |
| 13 | 1 | 437930 | BØS | RUBBER HOSE, C2C,200 |
| 14 | 1 | 437254 | GLIDEPLADE VENSTRE | SLIDING PAD, LEFT SIDE |
| 15 | 1 | 437255 | GLIDEPLADE FRONT | SLIDING PAD, FRONT SIDE |
| 16 | 1 | 437256 | GLIDEPLADE BAG | SLIDING PAD, BACK SIDE |
| 17 | 1 | 437257 | GLIDEPLADE HØJRE SIDE | SLIDING PAD, RIGHT SIDE |
| 18 | 1 | 437258 | CYLINDER | CYLINDER |
| 19 | 2 | 422222 | LÅSERING | LOCKING RING |
| 20 | 1 | 437259 | STIFT TIL CYLINDER | PIN FOR CYLINDER |
| 21 | 1 | 437937 | STIFT B-TYPE | B-TYPE PIN |
| 22 | 1 | 422218 | SKIVE M6 | WASHER M6 |
| 23 | 3 | 437939 | STIFT | SPLIT PIN |
| 24 | 1 | 437940 | PLADE | TRANSMISION BOARD |
| 25 | 1 | 437941 | LÅSEMØTRIK M6 | LOCKING NUT M6 |
| 26 | 1 | 422220 | MØTRIK M6 | NUT M6 |
| 27 | 1 | 437942 | BOLT | BOLT |
| 28 | 1 | 437943 | LILLE SKÆRM | SMALL GUARD |
| 29 | 1 | 437944 | SKÆRM TIL PUMPE | GUARD FOR PUMP&VALVE |
| 30 | 9 | 437945 | SKRUE 5X8 | SCREW 5X8 |
| 31 | 2 | 437946 | HJUL | WHEEL |
| 32 | 2 | 437947 | FLAD SKIVE | FLAT WASHER |
| 33 | 1 | 437260 | PLADE | WORK TABLE |
| 34 | 1 | 437261 | SOKKEL | MAIN FRAME |
| 35 | 1 | 437950 | AKSEL | AXLE |
| 36 | 3 | 437951 | KNOP | KNOB |
| 37 | 3 | 437952 | BØSNING | BUSHING |
| 38 | 3 | 438000 | FJEDERSKIVE | SPRING WASHER |
| 39 | 3 | 438002 | STIFT | PIN |
| 40 | 1 | 437953 | KLO VENSTRE | LOG CLAW, LEFT |
| 41 | 2 | 437954 | BOLT | BOLT 10X45 |
| 42 | 2 | 437955 | MØTRIK | NUT |
| 43 | 16 | 422207 | SKIVE M8 | WASHER M8 |
| 44 | 1 | 437957 | KLO HØJRE | LOG CLAW, RIGHT |
| 45 | 2 | 437958 | STIFT B-TYPE | B-TYPE PIN |
| 46 | 8 | 422203 | MØTRIK M8 | NUT M8 |
| 47 | 2 | 437262 | HÅNDTAG | CONTROL HANDLE |
| 48 | 4 | 437961 | PAKNING | WASHER |
| 49 | 4 | 437962 | FLAD SKIVE | FLAT WASHER |

| POS | QTY | PARTNUMBER | BESKRIVELSE | DESCRIPTION |
|------|-----|------------|----------------------|--------------------------|
| 50 | 4 | 422208 | LÅSEMØTRIK M8 | LOCKING NUT M8 |
| 51 | 2 | 437923 | GREBHÅNDTAG | HANDLE GRIP |
| 52 | 2 | 437964 | BESKYTTELSESBØJLE | HAND PROTECTOR |
| 53 | 4 | 437965 | BOLT 8X16 | BOLT 8X16 |
| 54 | 1 | 422225 | BOLT M8X40 | BOLT M8X40 |
| 55 | 1 | 437263 | ARMBESKYTTER HØJRE | HANDLE GUARD, RIGHT |
| 56 | 2 | 437967 | BOLT 8X16 | BOLT 8X16 |
| 57 | 1 | 422227 | BOLT M8X30 | BOLT M8X30 |
| 58 | 1 | 437264 | ARMBESKYTTER VENSTRE | HANDLE GUARD, LEFT |
| 59 | 1 | 437969 | BØS | RUBBER BELT |
| 60 | 1 | 437972 | OLIEPIND | OIL LEVEL STICK |
| 61 | 2 | 437973 | O-RING | O-RING |
| 62 | 1 | 422194 | O-RING | O-RING |
| 63 | 1 | 437974 | SKRUEMØTRIK | SCREW NUT |
| 64 | 4 | 437975 | SKRUE | SCREW 4 X 60 |
| 65 | 4 | 437977 | MØTRIK | NUT |
| 66 | 4 | 437976 | SKIVE | WASHER |
| 67 | 1 | 437265 | MOTOR | MOTOR |
| 68 | 1 | 437979 | FORBINDER | CONNECTOR |
| 69 | 1 | 437980 | MOTOR BASE | MOTOR BASE |
| 70 | 3 | 422228 | FJEDERSKIVE | SPRING COLLAR |
| 71 | 3 | 437982 | SKRUE | SCREW 8X30 |
| 72 | 1 | 437983 | LED | ELBOW CONNECTOR |
| 73 | 1 | 437984 | PUMPE | PUMP |
| 74 | 2 | 437985 | LED | ELBOW CONNECTOR FOR PUMP |
| 75 | 1 | 437987 | BØS C3D 360 | RUBBER HOSE, C3D,360 |
| 76 | 4 | 437986 | RØRBØJLE | PIPE HOOP |
| 77 | 1 | 437988 | BØS | RUBBER HOSE |
| 78 | 3 | 437989 | SKRUE | SCREW 6X20 |
| 79 | 3 | 426909 | FJEDERSKIVE M6 | SPRING COLLAR M6 |
| 80 | 1 | 437990 | OLIERØR | OIL PIPE |
| 81 | 3 | 426911 | LÅSEMØTRIK M6 | LOCKING NUT M6 |
| 82 | 1 | 437991 | O-RING | O-RING 27X2.65 |
| 83 | 1 | 437992 | SKRUE | SCREW 6X6 |
| 84 | 1 | 437993 | FILTER CPL | FILTER CPL. |
| 85 | 1 | 437994 | O-RING | O-RING14X2.65 |
| 86 | 1 | 437995 | FORBINDELSESLED | T-TYPE CONNECTOR |
| 87 | 1 | 437996 | FORBINDELSESLED | ELBOW CONNECTOR |
| 88 | 2 | 437266 | SKRUE | SCREW 8X35 |
| 89 | 1 | 437998 | VENTIL | VALVE |
| 90 | | 437988 | BØS | RUBBER HOSE |
| 67-1 | 1 | 437267 | LÅG | MOTOR FAN COVER |
| 67-2 | 1 | 437268 | LÅSERING | SPINDLE CIRCLIP |
| 67-3 | 1 | 437269 | VENTILATOR | FLYING FAN |
| 67-4 | 1 | 437270 | MOTOR | MOTOR W/OUT SWITCH |
| 67-5 | 4 | 437271 | SKRUE | SCREW 4X8 |
| 67-6 | 4 | 437272 | FJEDERSKIVE | SPRING WASHER |
| 67-7 | 4 | 426930 | SKIVE M4 | WASHER M4 |
| 67-8 | 1 | 437273 | KONTAKT | SWITCH |

| POS | QTY | PARTNUMBER | BESKRIVELSE | DESCRIPTION |
|-----|-----|------------|-------------|-------------|
| 91 | 2 | 437999 | FJEDER | SPRING |